



Quality Products. Service Excellence.

# Low Voltage, Filament High Current, Chassis Mount - 150 VA to 450 VA 265 Series

117/234 V Primary

## Features



- 117/234 VAC - 50/60 Hz. dual primary
- Secondaries are either center tapped (C.T.) or dual secondaries (see tables below) for added versatility.
- Open style, 4 hole frame chassis mount.
- Minimum 6" long leads or copper tabs with holes.
- Dual bobbin design - no electrostatic shield required.
- Class B insulation (130 degrees, C).
- Hi-Pot test of 2,000V RMS.
- UL listed (# E207860) Type 3AH
- CSA certified (# LR209651).



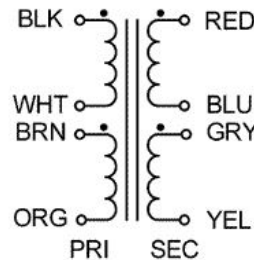
### Primary Wiring Data (both primaries must be energized):

#### 117 VAC Input:

- 1) Connect - Black to Brown
- 2) Connect - White to Orange

#### 234 VAC Input:

- 1) Connect - White to Brown
- 2) Connect - Input to Black and Orange



### Secondary Wiring Data (both secondaries must be utilized for full ratings):

#### Series Output:

- 1) Connect - Blue to Gray
- 2) Output: Red and Yellow

#### Parallel Output:

- 1) Connect - Red to Gray
- 2) Connect - Blue to Yellow



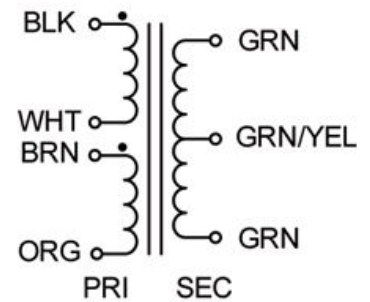
### Primary Wiring Data (both primaries must be energized):

#### 117 VAC Input:

- 1) Connect - Black to Brown
- 2) Connect - White to Orange

#### 234 VAC Input:

- 1) Connect - White to Brown
- 2) Connect - Input to Black and Orange



## 117/234 VAC - 50/60 Hz. DUAL PRIMARY - SINGLE SECONDARY

Part No.	VA	Secondary (R.M.S.)	
		VAC	Amps
265X5	150	5.0 C.T.	30
265U6	101	6.3 C.T.	16
265V6	126	6.3 C.T.	20
265X6	158	6.3 C.T.	25
265U10	175	10 C.T.	17.5
265W5	250	5.0 C.T.	50
265Z5	450	5 C.T.	90

\* 5kV Insulation

## 117/234 VAC - 50/60 Hz. DUAL PRIMARY - DUAL SECONDARY

Part No.	VA	Secondary VAC (R.M.S.)	
		Series Wired (C.T.)	Parallel Wired
265S24	240	24V @ 10A	12V @ 20A
265U24	360	24V @ 15A	12V @ 30A
265V24	480	24V @ 20A	12V @ 40A
265J234	250	234V @ 1.07A	117V @ 2.14A
265K234	350	234V @ 1.5A	117V @ 3A
265L234	450	234V @ 1.92A	117V @ 3.84A

*Data subject to change without notice*

© 2022. Hammond Manufacturing Ltd. All rights reserved.

## **X-ON Electronics**

Largest Supplier of Electrical and Electronic Components

*Click to view similar products for [Power Transformers](#) category:*

*Click to view products by [Hammond](#) manufacturer:*

Other Similar products are found below :

[ET-030A](#) [F-102X](#) [F-120X](#) [F-14X-1](#) [F-181U](#) [F-18A](#) [F-199U](#) [F-19X](#) [F-202U](#) [F-204U](#) [F-206U](#) [F-227X](#) [F-238U](#) [F-239U-1](#) [F-23U](#) [F24-250-B](#)  
[F-242U](#) [F-245U](#) [F-264U](#) [F-265U](#) [F-267U](#) [F-281U](#) [F-283U](#) [F-290X](#) [F-295Z](#) [F-296Z](#) [F-298Z](#) [F-3143P](#) [F-3298Z](#) [F-33U](#) [F-346X](#) [F-35U](#) [F-](#)  
[364U](#) [F-392A](#) [F-395X](#) [F-397U](#) [F-412X](#) [F-47U](#) [F-55X-1](#) [F-60U](#) [F-68U](#) [F-71U](#) [F-72Z](#) [F-74U](#) [F-83A](#) [F-84AC](#) [F-85U](#) [F-86U](#) [F-9U](#) [PCT-02](#)