

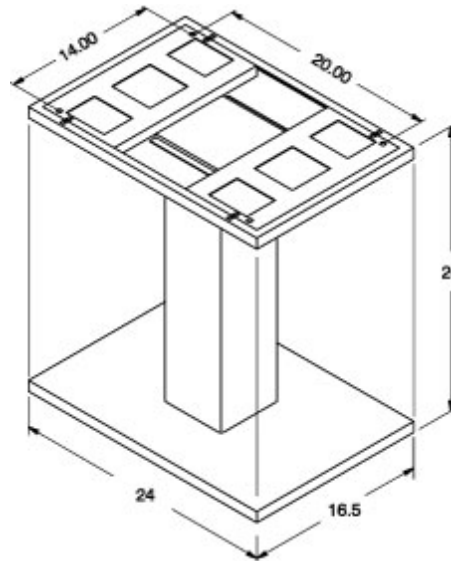


*Quality Products. Service Excellence.*

## Pedestal S2CP Series



- Maintains NEMA rating of system.
- Formed 14 gauge steel.
- Also offered with formed 14 gauge stainless steel.
- Stiffeners added for solid stability.
- Open top and bottom provides an unobstructed wireway for pull through cabling.
- Can be mounted directly on floor or on a plinth.
- Available in light gray and stainless steel.



Part No.	Finish
2CLS	RAL7035 Light Gray
2CSS	Stainless Steel

*Data subject to change without notice*

© 2021. Hammond Manufacturing Ltd. All rights reserved.

## X-ON Electronics

Largest Supplier of Electrical and Electronic Components

*Click to view similar products for [Hammond](#) manufacturer:*

Other Similar products are found below :

[001151](#) [001150-10](#) [PCJ1084CCNLF](#) [PCJ12106NLF](#) [PCJ864CC](#) [PCJ864CCHF](#) [PCJ864CCLF](#) [PCJ864LF](#) [60TYHW](#) [CS1084](#) [CSKO884](#)  
[CSP4936LG1](#) [CSP5636BK1](#) [CSP8531LG1](#) [CST374](#) [CST6604](#) [M268-5](#) [CWST1096NK](#) [CWTL2](#) [712](#) [718](#) [728](#) [ESP2416](#) [ESP4236](#)  
[ESP4824](#) [72WFWG](#) [72ZWFWG](#) [72ZWHW](#) [732A](#) [733A](#) [735](#) [FAN10A220](#) [MHK3SS](#) [FRCMCH128](#) [FT900TA1220BK](#) [PF32000T12BK24](#)  
[PF6500AT12LG](#) [PHW241210](#) [PHW30208](#) [PHW483616](#) [90BWHW](#) [90YFWG](#) [90YWFW](#) [PJ1084P9](#) [PJ1086RHW](#) [PJ14126RLW](#)  
[PJ14126RTW](#) [PJ16148RLW](#) [PJ16148TW](#) [PJ18168RW](#)