



*Quality Products. Service Excellence.*

## Audio Broadcast Quality 800A Series

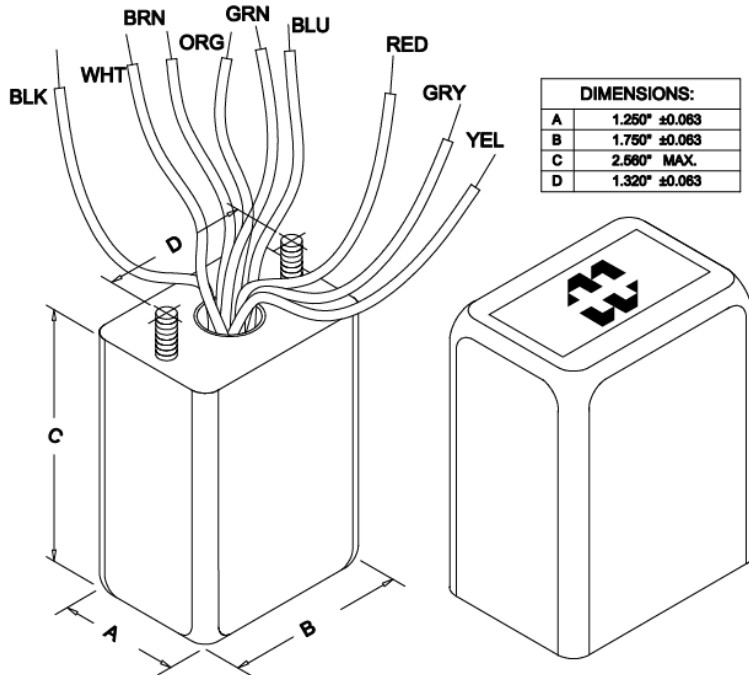
### Features



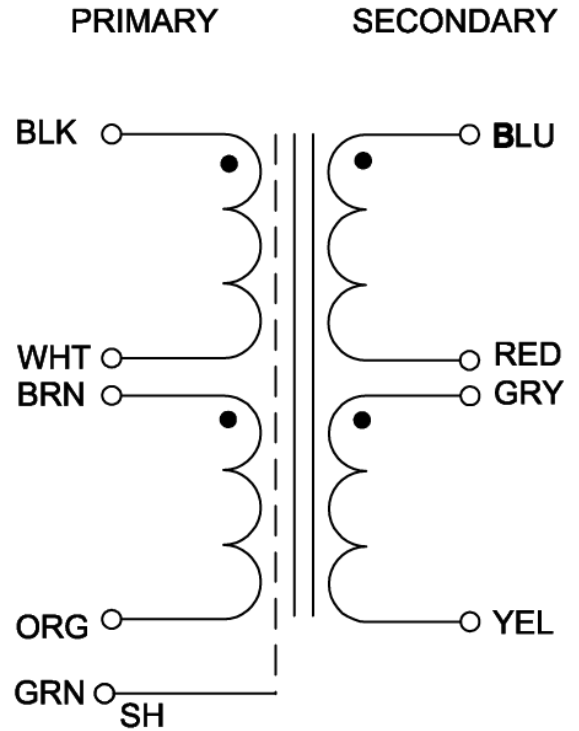
- Deep-drawn steel case with tin plated finish, with two convenient 6-32 mounting studs with hardware.
- Includes wire leads (minimum length of 4").
- Frequency response +/- 0.5 db max. from 50 Hz. to 15 KHz.
- Insertion loss of apx. 1 db.
- Maximum power level +15 dbm. (except 841A, 842A & 844A which are +20 dbm) with specified characteristics, or higher levels with reduced low frequency performance.
- Electrostatic shield between pri. & sec.
- Humbucking construction
- Balanced split windings on pri. & sec. for circuit versatility. Primary may be used as a secondary and vice versa for impedance matching.
- Overall dimensions 1.75" (44.5 mm) wide x 1.25" (31.8 mm) deep x 2.56" (65 mm) high max.
- Shipping weight 0.5 lb. (0.2 kg)



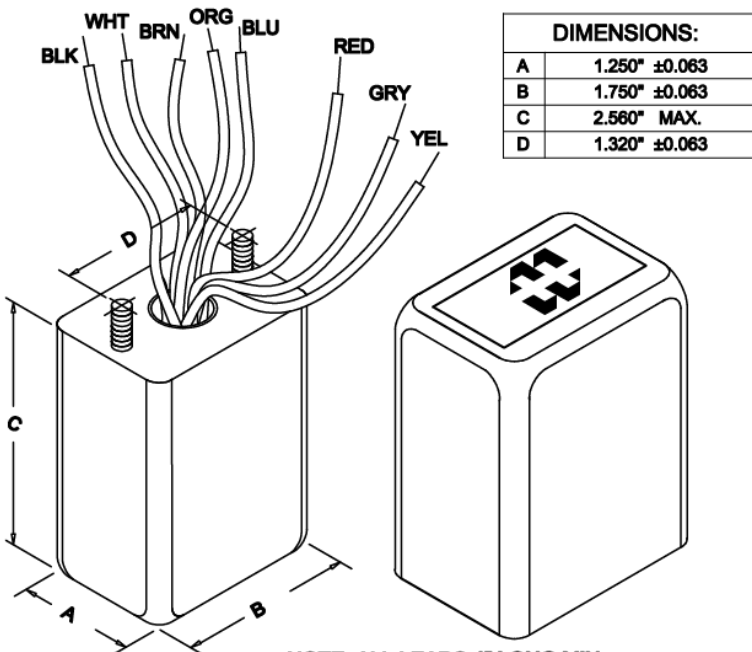
# 801A - 813A



| DIMENSIONS: |               |
|-------------|---------------|
| A           | 1.250" ±0.063 |
| B           | 1.750" ±0.063 |
| C           | 2.560" MAX.   |
| D           | 1.320" ±0.063 |

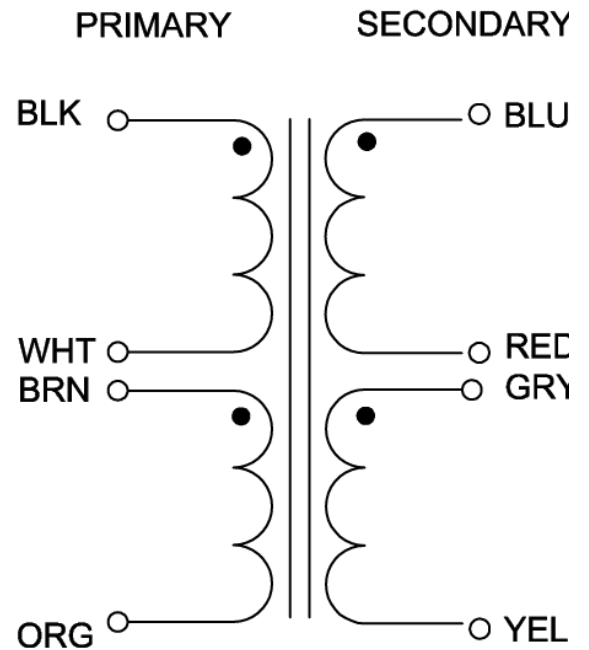


# 832A - 844A



| DIMENSIONS: |               |
|-------------|---------------|
| A           | 1.250" ±0.063 |
| B           | 1.750" ±0.063 |
| C           | 2.560" MAX.   |
| D           | 1.320" ±0.063 |

NOTE: ALL LEADS 4" LONG MIN.



| Part No. | Application | Nominal Impedance (Ohms) |           | Max. Primary D.C. Unbalanced Current (ma.) |
|----------|-------------|--------------------------|-----------|--|
|          |             | Primary                  | Secondary |  |
|          |             |                          |           |  |

| Part No. | Application                         | Nominal Impedance<br>(Ohms) |                     | Max. Primary D.C.<br>Unbalanced Current<br>(ma.) |
|----------|-------------------------------------|-----------------------------|---------------------|--|
|          |                                     | Primary                     | Secondary           |  |
| 801A     | Isolating, Matching                 | *50/200                     | 50/200              | 0.8  |
| 802A     | Isolating, Matching                 | *50/200 (60/240)            | 125/500 (150/600)   | 0.8  |
| 804A     | Isolating, Matching, Hybrid         | *125/500 (150/600)          | 125/500 (150/600)   | 0.5  |
| 806A     | Dynamic MIC or Voice Coil to Grid   | *7.5/30                     | 10K/40K             | 1.6  |
| 807A     | Dynamic MIC or Voice Coil to Base   | *7.5/30                     | 600/2400            | 1.6  |
| 808A     | MIC or Mixer to Single or P.P. Grid | *50/200                     | 10000/40000         | 0.6  |
| 809A     | MIC to Mixer to Base                | *50/200                     | 600/2400            | 0.6  |
| 812A     | Line or 150 ohm MIC to 1 or 2 Grids | *125/500 (150/600)          | 10K/40K (12K/48K)   | 0.4  |
| 813A     | Line or 150 ohm MIC to Base         | *125/500 (150/600)          | 600/2400 (720/2880) | 0.4  |
| 832A     | Interstage (ratio 1:2)              | 5K/20K                      | 20K/80K             | 0  |
| 834A     | Interstage (ratio 1:4)              | 5K/20K                      | 10K/40K             | 0  |
| 835A     | Interstage (ratio 1:1)              | 10K/40K                     | 10K/40K             | 0  |
| 841A     | ** P.P. Plates to Line              | 5K/20K                      | 50/200              | 0  |
| 842A     | ** P.P. Plates to Line              | 5K/20K (6K/24K)             | 125/500 (150/600)   | 0  |
| 844A     | ** P.P. Plates to Line              | 10K/40K (12K/48K)           | 125/500 (150/600)   | 0  |

\* Electrostatic shield between primary & secondary \*\* Single plate requires parallel feed. When operating at impedances below nominal, power capability is lower and the frequency spectrum is shifted downward, conversely, at higher impedances power capability and frequency spectrum will be shifted upward.

*Data subject to change without notice*

© 2021. Hammond Manufacturing Ltd. All rights reserved.

## X-ON Electronics

Largest Supplier of Electrical and Electronic Components

*Click to view similar products for [Audio Transformers](#) / [Signal Transformers](#) category:*

*Click to view products by [Hammond](#) manufacturer:*

Other Similar products are found below :

[749023020](#) [MET-58](#) [PE-64961](#) [H5008FNL](#) [H5020FNLT](#) [1879479-1](#) [PA1277NLT](#) [PA2007NLT](#) [PA4309.154NLT](#) [FL1066](#) [T1137NLT](#)  
[T3012NL](#) [PE-65812FNL](#) [TTC-100](#) [TTC-143-H](#) [TTC-5032-1](#) [HX1234NLT](#) [HX5008FNLT](#) [3-1879385-5](#) [PA1282NLT](#) [HX5084FNL](#)  
[T1108NLT](#) [2-1879391-5](#) [TTC-266-2](#) [3-1879385-4](#) [H2009FNLT](#) [TTC-266](#) [T5008NLT](#) [PE-68517T](#) [HX1294NLT](#) [PA4390.151HLT](#)  
[MGPWT-00339-P](#) [HX5084FNLT](#) [H5015FNLT](#) [H6080NLT](#) [CX2024NL](#) [HX1294FNLT](#) [TX1473NLT](#) [PE-69011NLT](#) [HX2260FNLT](#)  
[CX2047LNLT](#) [CX2043LNLT](#) [H5120NLT](#) [H7137FNLT](#) [H1259NLT](#) [TX1344NLT](#) [HX5062NLT](#) [LM-LP-1005L](#) [H1164FNL](#) [T1114NL](#)