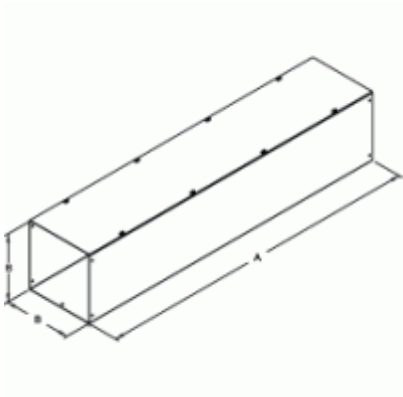




Quality Products. Service Excellence.

## Type 1 Lay In Screw Cover Wireway - w/o Knockouts CWSC NK Series



### Painted Steel

A=12"	A=18"	A=24"	A=36"	A=48"	Size
CWSC212NK	-	CWSC224NK	CWSC236NK	CWSC248NK	2.5 x 2.5
CWSC412NK	CWSC418NK	CWSC424NK	CWSC436NK	CWSC448NK	4 x 4
CWSC612NK	CWSC618NK	CWSC624NK	CWSC636NK	CWSC648NK	6 x 6
CWSC812NK	CWSC818NK	CWSC824NK	CWSC836NK	CWSC848NK	8 x 8
CWSC1012NK	-	CWSC1024NK	CWSC1036NK	CWSC1048NK	10 x 10
CWSC1212NK	-	CWSC1224NK	CWSC1236NK	CWSC1248NK	12 x 12

A=60"	A=72"	A=96"	A=120"	Size
CWSC260NK	-	-	CWSC2120NK	2.5 x 2.5
CWSC460NK	CWSC472NK	-	CWSC4120NK	4 x 4
CWSC660NK	CWSC672NK	-	CWSC6120NK	6 x 6
CWSC860NK	CWSC872NK	-	CWSC8120NK	8 x 8
CWSC1060NK	CWSC1072NK	CWSC1096NK	CWSC10120NK	10 x 10
CWSC1260NK	CWSC1272NK	CWSC1296NK	CWSC12120NK	12 x 12

Data subject to change without notice

## X-ON Electronics

Largest Supplier of Electrical and Electronic Components

*Click to view similar products for [Wire Ducting](#) category:*

*Click to view products by [Hammond](#) manufacturer:*

Other Similar products are found below :

[66200A-10](#) [CVED32VEPG](#) [CVED40VEPG](#) [F512D5-5F140Y](#) [F512D5-5F200Y](#) [F512D5-5F26Y](#) [F512D5-5F30Y](#) [F512D5-5F33Y](#) [F512D5-5F34Y](#) [F512D5-5F45Y](#) [F512D5-5F50Y](#) [F512D5-5F54Y](#) [F512D5-5F66Y](#) [F512D5-5F70Y](#) [F512D5-5F75Y](#) [F512D5-5F90Y](#) [F612D5-5F100Y](#) [F612D5-5F130Y](#) [F612D5-5F50Y](#) [F612D5-5F56Y](#) [F612D5-5F58Y](#) [F6L12D5-5F46](#) [F912D5-5F11Y](#) [F912D5-5F170Y](#) [F912D5-5F175Y](#) [F912D5-5F230Y](#) [F912D5-5F300Y](#) [F912D5-5F55Y](#) [F912D5-5F56Y](#) [F912D5-5F63Y](#) [F912D5-5F6Y](#) [F912D5-5F75Y](#) [F912D5-5F85Y](#) [F912D5-5F86Y](#) [F912D5-5F88Y](#) [F912D5-5F96Y](#) [FAP0047WBLMTP](#) [FAP12WBRDRDDLZ](#) [FAP12WDYLYLDLZ](#) [FAP12WEORORDLZ](#) [FAP6WEORORDLZ](#) [FAP6WFDBDBDLZ](#) [FAP8WEORORDLZ](#) [FCE2UWCL](#) [800A-LB](#) [802A-ECSP](#) [802I-ICSP](#) [FJQADH](#) [FJQFXT](#) [PED10](#)