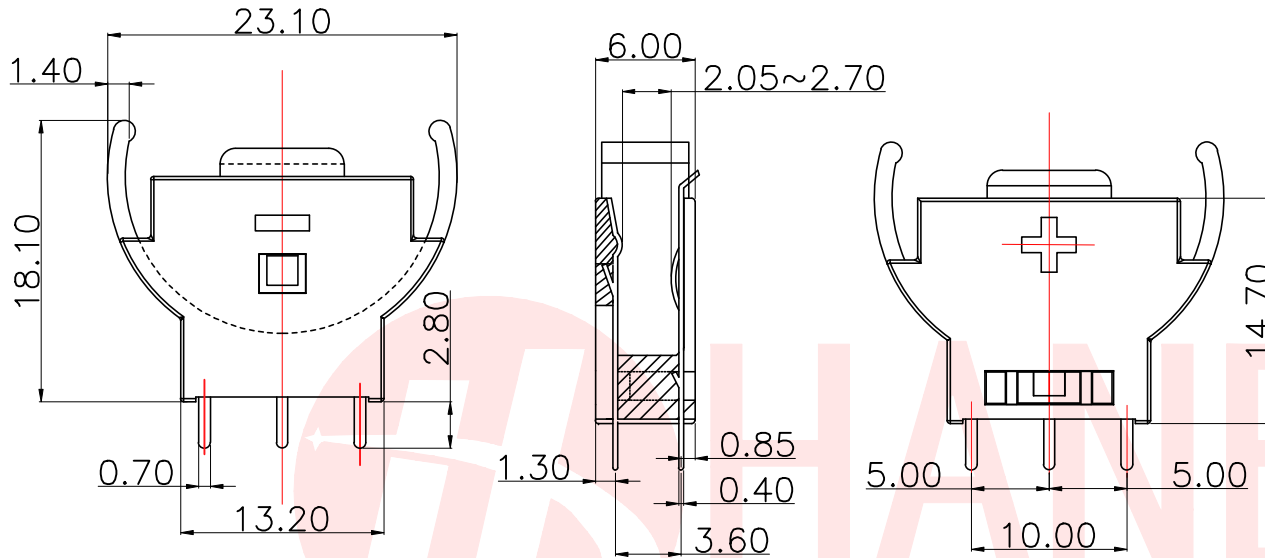




| REV. | ECN NO OR DESCRIPTION | REVISED | DATE |
|------|-----------------------|---------|------|
| | | | |
| | | | |



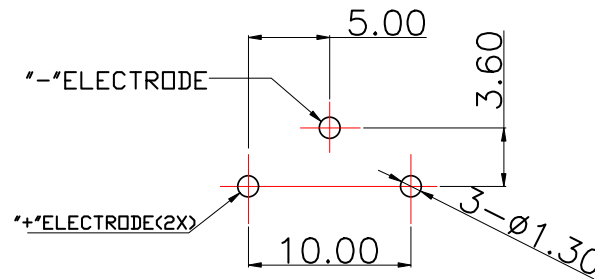
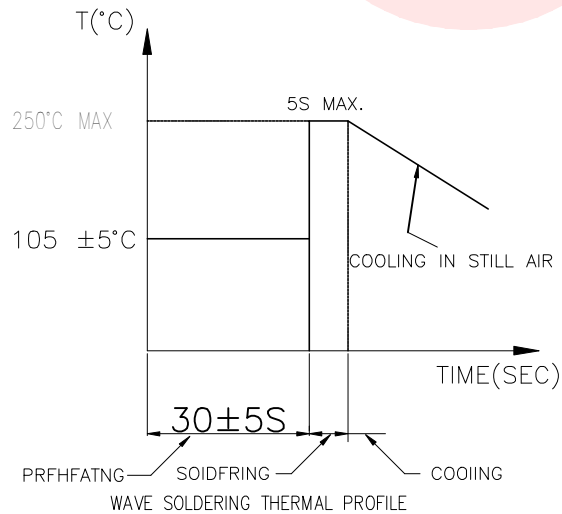
NOTES:

MATERIAL:

1. HOUSING: PA66,30%G.F UL94V-0,COLOR: BLACK.
2. CONTACT: BRASS.
3. CONTACT PLATED: TIN PLATED ON OVER ALL, AND NICKEL UNDER PLATED OVER ALL.

ELECTRICAL CHARACTERISTICS:

1. CURRENT RATING: 1.5AMP.
2. CONTACT RESISTANCE $\leq 30m$ MAX.
3. INSULATION RESISTANCE: $\geq 1000M$ MIN AT 500V DC.
4. DIELECTRIC WITHSTANDING VOLTAGE: 750V AC RMS FOR 1 MINUTE.
5. OPERATING TEMPERATURE : $-55^{\circ}C$ TO $+105^{\circ}C$.



P. C. B
LAYOUT

UNLESS OTHERWISE SPECIFIED TOLERANCES

| DECIMALS: | ANGLES: |
|-------------|----------|
| X :±0.30 | X :±2° |
| X.X :±0.20 | X.X :±1° |
| X.XX :±0.10 | |

东莞市汉博电子科技有限公司
DONGGUAN HANBO TECHNOLOGY CO., LTD

| TITLE | BS Cell connector | | | |
|---------------|-------------------|--------------------|-------------|---------|
| DWN | xiong | PART NO. BS-170603 | | |
| CHKD | lee | SCALE:1:1 | UNIT: mm | |
| APVD | wang | SIZE: A4 | SHEET:10F 1 | REV: A4 |
| CUSTOMER COPY | | | | |

X-ON Electronics

Largest Supplier of Electrical and Electronic Components

Click to view similar products for [Coin Cell Battery Holders](#) category:

Click to view products by [Hanbo Electronic](#) manufacturer:

Other Similar products are found below :

[PDSN-11-D](#) [799-2007](#) [BH44AAB](#) [BH48DL](#) [BH8000](#) [MY-2430-01-R](#) [BS-16-B4AA006-R](#) [KH-CR1220-2](#) [BH-18650-A1AJ006](#) [BS-02-A1BK007](#) [BH-18650-A1AJ005](#) [BS-12-B3AA009-R](#) [BS-02-A1AK010-X](#) [BS-02-A1AJ010](#) [BS-03-A1AJ001](#) [MY-FJ-131-J-R](#) [MY-FJ-04-J-R](#) [BS-08-B2AA025](#) [BS-24-A1AJ017](#) [BH-18650-A5BJ001-2D](#) [BS-12-A1AJ002-Z](#) [BS-08-B2AA032](#) [MY-2032-04-R](#) [BS-12-B3AA011-R](#) [BS-621-B4AA001-R](#) [MY-ZJ-110](#) [MY-FJ-127-R](#) [BS-06-B4AA002-R](#) [MY-1220-04](#) [BH-AAA-A1AJ001](#) [BS-12-B3AA003-T](#) [MY-FJ-115II-R](#) [BS-06-B4AK001-R](#) [BH-18650-B1BA007](#) [MY-FJ-115II](#) [BH-AAA-B5AA001](#) [BE-13-017](#) [BS-12-B3AA013](#) [BC-25-5PD-300](#) [BS-08-B2AA016-R](#) [MY-AAA-22-J](#) [MY-AA-14-J](#) [MY-AAA-24-J](#) [MY-2032-28](#) [BS-06-A4BK016](#) [MY-FJ-01](#) [MY-1025-01](#) [MY-AA-5355-J](#) [BS-05-A1BJ018](#) [MY-2032-25-R](#)