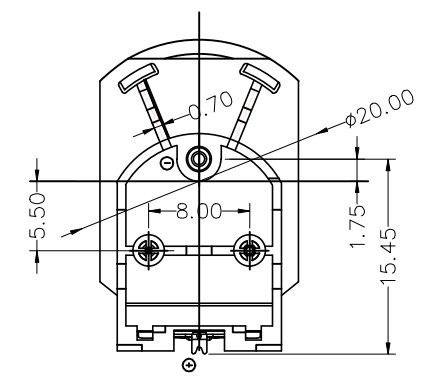
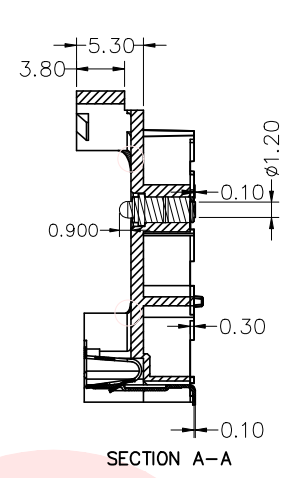
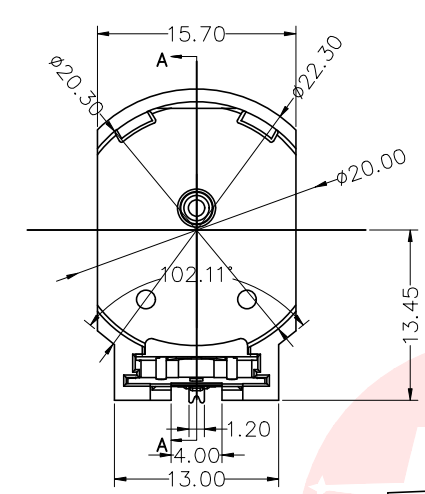




REV.	ECN NO OR DESCRIPTION	REVISED	DATE

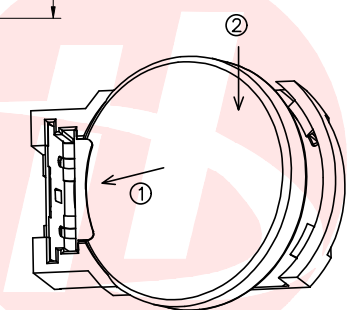
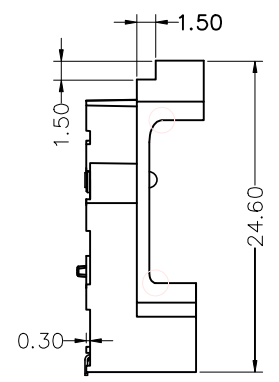


MATERIAL:

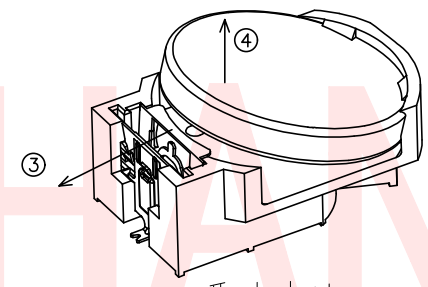
1. HOUSING: LCP OR PA9T30%G.F UL94V-0.
2. CONTACT: .PHOSPHOR BRONZE C5191-H
3. CONTACT PLATED: GOLD FLASH PLATED ON CONTACT AREA, TIN PLATED ON SOLDER TAILS, NICKEL UNDERPLATED OVER ALL.

ELECTRICAL CHARACTERISTICS:

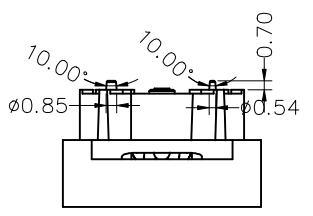
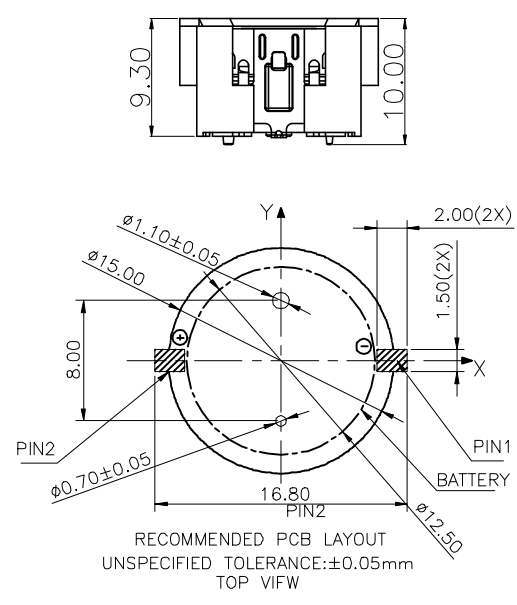
1. CURRENT RATING: 3AMP.
2. CONTACT RESISTANCE: 30m MAX.
3. INSULATION RESISTANCE: 1000M MIN AT 500V DC.
4. DIELECTRIC WITHSTANDING VOLTAGE: 500V AC RMS FOR 1 MINUTE.
5. OPERATING TEMPERATURE : -55°C TO +105°C.



装电池



取出电池



注意事项

2032 电池	
pogo pin	黄铜C3604; 镀全金1U 镀镍底30u"Min
弹片	磷铜C5191; 镀全金1U 镀镍底30u"Min
胶芯本体	LCP OR PA9T UL94-V0; 颜色: 黑色
端子	磷铜C5191; 镀金1U 镀镍底30u"Min

UNLESS OTHERWISE SPECIFIED TOLERANCES		东莞市汉博电子科技有限公司 DONGGUAN HANBO TECHNOLOGY CO., LTD			
DECIMALS: X :±0.30 X.X :±0.20 X.XX :±0.10		TITLE: BS Cell connector			
ANGLES: X :±2° X.X :±1°		DWN	xiong	PART NO. BS-170A02	
		CHKD	lee	SCALE: 1:1	UNIT: mm
		APVD	wang	SIZE: A4	SHEET: 10F 1
		REV: A4			
CUSTOMER COPY					

X-ON Electronics

Largest Supplier of Electrical and Electronic Components

Click to view similar products for [Coin Cell Battery Holders](#) category:

Click to view products by [Hanbo Electronic](#) manufacturer:

Other Similar products are found below :

[PDSN-11-D](#) [799-2007](#) [BH44AAB](#) [BH48DL](#) [BH8000](#) [MY-2430-01-R](#) [BS-16-B4AA006-R](#) [KH-CR1220-2](#) [BH-18650-A1AJ006](#) [BS-02-A1BK007](#) [BH-18650-A1AJ005](#) [BS-12-B3AA009-R](#) [BS-02-A1AK010-X](#) [BS-02-A1AJ010](#) [BS-03-A1AJ001](#) [MY-FJ-131-J-R](#) [MY-FJ-04-J-R](#) [BS-08-B2AA025](#) [BS-24-A1AJ017](#) [BH-18650-A5BJ001-2D](#) [BS-12-A1AJ002-Z](#) [BS-08-B2AA032](#) [MY-2032-04-R](#) [BS-12-B3AA011-R](#) [BS-621-B4AA001-R](#) [MY-ZJ-110](#) [MY-FJ-127-R](#) [BS-06-B4AA002-R](#) [MY-1220-04](#) [BH-AAA-A1AJ001](#) [BS-12-B3AA003-T](#) [MY-FJ-115II-R](#) [BS-06-B4AK001-R](#) [BH-18650-B1BA007](#) [MY-FJ-115II](#) [BH-AAA-B5AA001](#) [BE-13-017](#) [BS-12-B3AA013](#) [BC-25-5PD-300](#) [BS-08-B2AA016-R](#) [MY-AAA-22-J](#) [MY-AA-14-J](#) [MY-AAA-24-J](#) [MY-2032-28](#) [BS-06-A4BK016](#) [MY-FJ-01](#) [MY-1025-01](#) [MY-AA-5355-J](#) [BS-05-A1BJ018](#) [MY-2032-25-R](#)