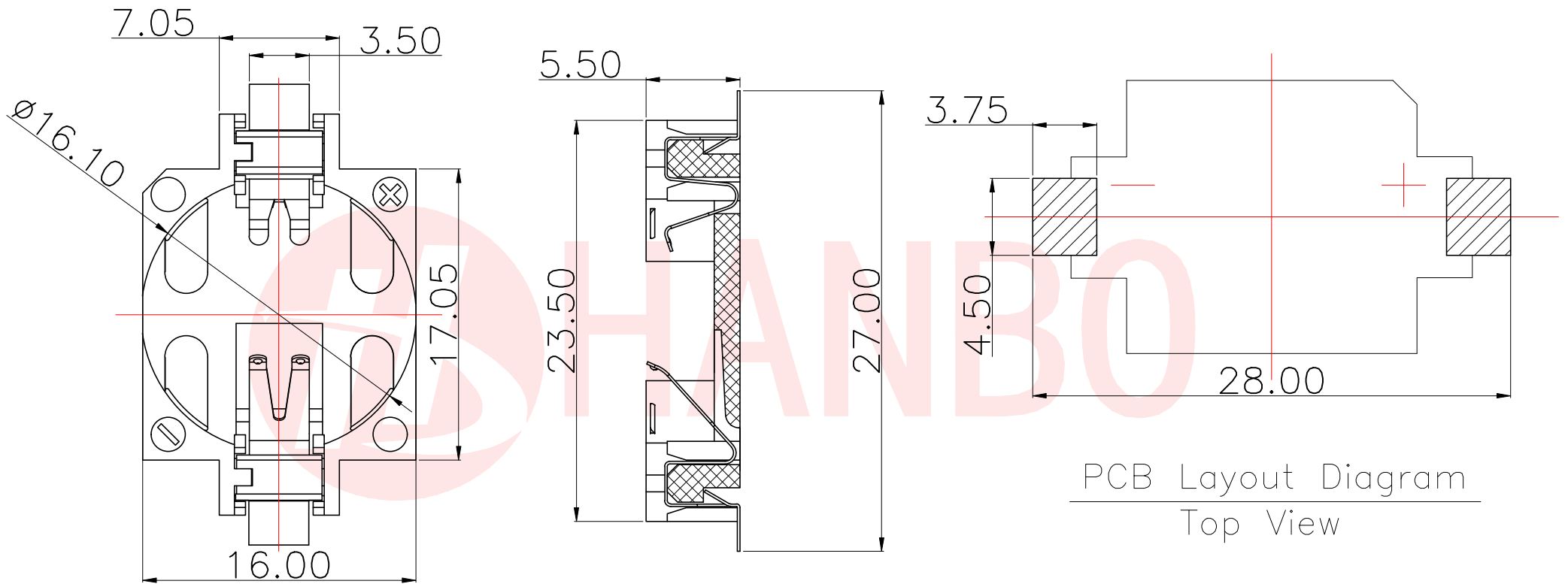




REV.	ECN NO OR DESCRIPTION	REVISED	DATE



PCB Layout Diagram  
Top View

NOTES:

MATERIAL:

1. HOUSING: LCP UL94V-0,COLOR: BROWN,ROHS2.0+HF.
2. CONTACT:PHOSPHOR BRONZE  
(SURFACE PLATING: Sn100U"-120U")  
SEE ORDERING INFORMATION

ELECTRICAL CHARACTERISTICS:

1. CONTACT RESISTANCE: 30mΩ MAX.
2. INSULATION RESISTANCE: 1000MΩ MIN
3. DIELECTRIC WITHSTANDING VOLTAGE: 1000V AC RMS FOR 1 MINUTE.
4. OPERATING TEMPERATURE : -55°C TO +105°C.

UNLESS OTHERWISE SPECIFIED TOLERANCES		东莞市汉博电子科技有限公司 DONGGUAN HANBO TECHNOLOGY CO., LTD			
DECIMALS: X :±0.30 X.X :±0.20 X.XX :±0.10		ANGLES: X :±2° X.X :±1°		TITLE: BS Cell connector	
DWN	xiong	PART NO. BS-170C02			
CHKD	lee	SCALE:1:1	UNIT: mm		
APVD	wang	SIZE: A4	SHEET:10F 1	REV: A4	
CUSTOMER COPY					

## X-ON Electronics

Largest Supplier of Electrical and Electronic Components

*Click to view similar products for [Coin Cell Battery Holders](#) category:*

*Click to view products by [Hanbo Electronic](#) manufacturer:*

Other Similar products are found below :

[PDSN-11-D](#) [799-2007](#) [BH44AAB](#) [BH48DL](#) [BH8000](#) [MY-2430-01-R](#) [BS-16-B4AA006-R](#) [KH-CR1220-2](#) [BH-18650-A1AJ006](#) [BS-02-A1BK007](#) [BH-18650-A1AJ005](#) [BS-12-B3AA009-R](#) [BS-02-A1AK010-X](#) [BS-02-A1AJ010](#) [BS-03-A1AJ001](#) [MY-FJ-131-J-R](#) [MY-FJ-04-J-R](#) [BS-08-B2AA025](#) [BS-24-A1AJ017](#) [BH-18650-A5BJ001-2D](#) [BS-12-A1AJ002-Z](#) [BS-08-B2AA032](#) [MY-2032-04-R](#) [BS-12-B3AA011-R](#) [BS-621-B4AA001-R](#) [MY-ZJ-110](#) [MY-FJ-127-R](#) [BS-06-B4AA002-R](#) [MY-1220-04](#) [BH-AAA-A1AJ001](#) [BS-12-B3AA003-T](#) [MY-FJ-115II-R](#) [BS-06-B4AK001-R](#) [BH-18650-B1BA007](#) [MY-FJ-115II](#) [BH-AAA-B5AA001](#) [BE-13-017](#) [BS-12-B3AA013](#) [BC-25-5PD-300](#) [BS-08-B2AA016-R](#) [MY-AAA-22-J](#) [MY-AA-14-J](#) [MY-AAA-24-J](#) [MY-2032-28](#) [BS-06-A4BK016](#) [MY-FJ-01](#) [MY-1025-01](#) [MY-AA-5355-J](#) [BS-05-A1BJ018](#) [MY-2032-25-R](#)