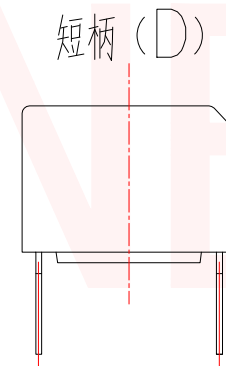
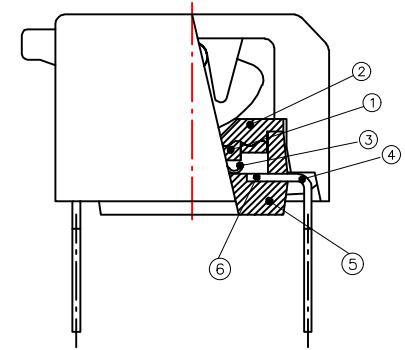
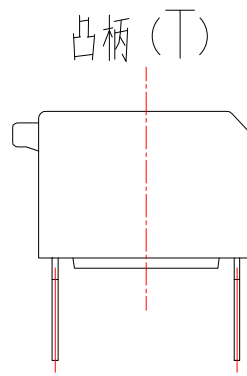
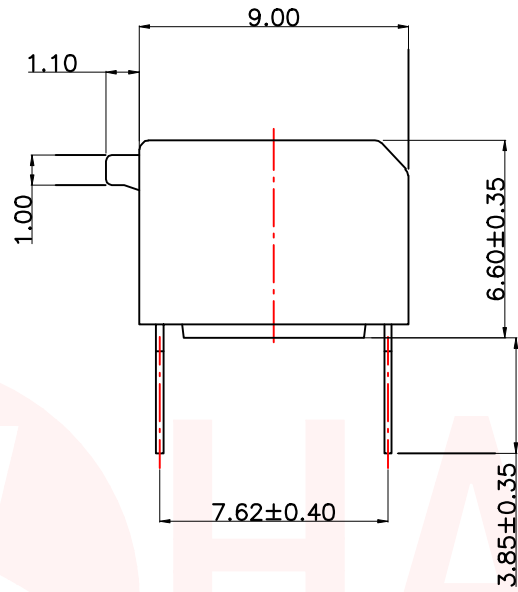
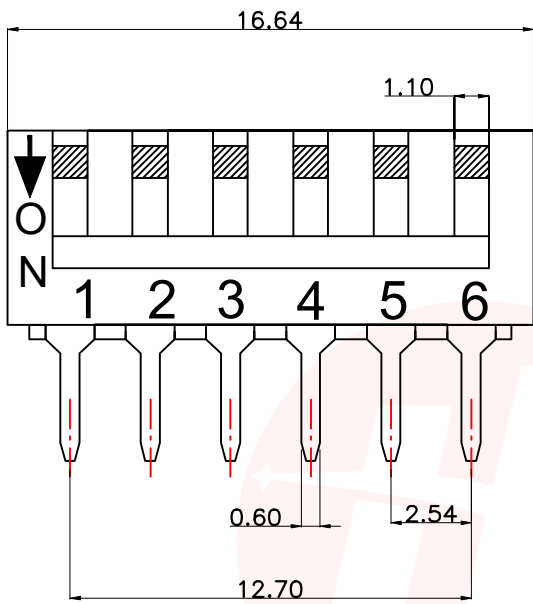


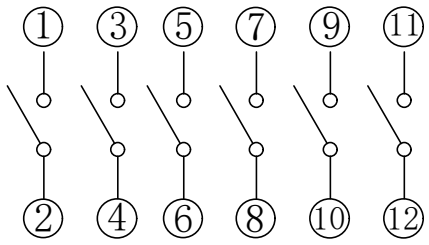
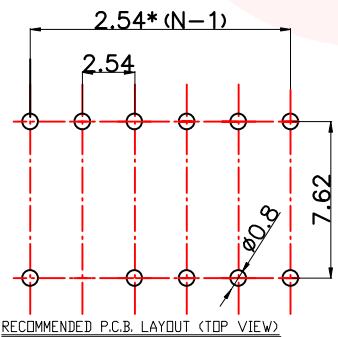


REV.	ECN NO OR DESCRIPTION	REVISED	DATE



NOTES :

- Specification:
 - 1> Operating force: 1000gf Max
 - 2> Operating Temperature: -40° to +85°
 - 3> Storage Temperature: -40° to +85°
 - 4> Mechanical Life: 3000cycles minimum
 - 5> Electrical Life: 2000cycles minimum
- PLATING:
 - GOLD FLASH 1u"~2u" SOLDER TAIL,
 - 1u"~3u" GOLD PLATING ON THE CONTACT AREA,
 - WITH 50u" NICKEL UNDERPLATING OVERALL.
- CONTACT RATING:
 - 1. SWITCHING: 25mA at 24VDC
 - 2. NON-SWITCHING: 100mA at 50VDC
 - WITH 50u" NICKEL UNDERPLATING OVERALL.



[Schematic]

Number	Part Name	Material	Finished
①	Actuator	UL94 V0	White
②	Cover	UL94 V0	Black
③	Movable	Copper Alloy	1u"~3u" Gold
④	Terminal	Brass	1u"~2u" Gold
⑤	Base	UL94 V0	Black
⑥	Terminal Contact	Brass	1u"~3u" Gold

PART NO.	凸柄 (T)	DE-01PT	DE-02PT	DE-03PT	DE-04PT	DE-05PT	DE-06PT	DE-07PT	DE-08PT	DE-010PT
盖子/黑色	短柄 (D)	DE-01PD	DE-02PD	DE-03PD	DE-04PD	DE-05PD	DE-06PD	DE-07PD	DE-08PD	DE-010PD

UNLESS OTHERWISE SPECIFIED TOLERANCES

DECIMALS: X :±0.30 X.X :±0.20 X.XX :±0.10

ANGLES: X :±2° X.X :±1°

TITLE: BY DSPV DIP SERIES PITCH 2.54mm

DWN: xiong PART NO. DE-06PT

CHKD: lee SCALE: 1:1 UNIT: mm

APVD: wang SIZE: A4 SHEET: 10F 1 REV: A4

CUSTOMER COPY

东莞市汉博电子科技有限公司
DONGGUAN HANBO TECHNOLOGY CO., LTD

X-ON Electronics

Largest Supplier of Electrical and Electronic Components

Click to view similar products for [DIP Switches/SIP Switches](#) category:

Click to view products by [Hanbo Electronic](#) manufacturer:

Other Similar products are found below :

[79B10T](#) [8136-475G4T](#) [G7G-1A2-CB-DC12](#) [DRS4016](#) [1825444-1](#) [193005MS](#) [195010MS](#) [200183](#) [206002](#) [208004](#) [208007ST](#) [208008](#)
[25.350.0653.0](#) [SDA10H1BDA](#) [97R06ST](#) [A2C-2A5](#) [1825444-7](#) [ADE12S04](#) [206005RAS](#) [209005LPST](#) [2-1825058-8](#) [219002LPST](#)
[219002MSTJRF](#) [219012MST](#) [25.352.0353.0](#) [CXDRIVEV2X](#) [LA2-002-DC24](#) [DSR02T](#) [193004MS](#) [E2FMX2D1M1TGJ03M](#) [NDI10H](#) [219-](#)
[9MSTP](#) [219008LPSTR](#) [EPM02FV](#) [206010RAST](#) [76SB05](#) [TD06H0SK1](#) [Z7.255.9027.0](#) [1-1825058-3](#) [1825428-4](#) [219-10LPSTF](#)
[E3ZG6111D03M](#) [G4D212PUSTV2DC5](#) [HARW0002](#) [EPG301BT06](#) [1-1825058-6](#) [E3TSL23M5J03M](#) [Y5795](#) [7R0060](#) [HARW0001](#)