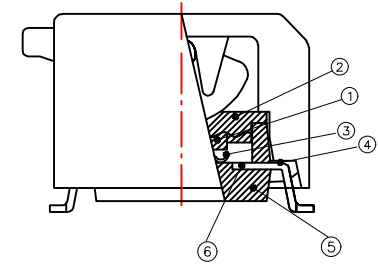
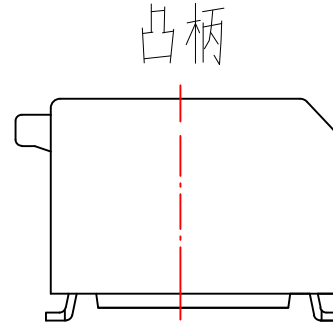
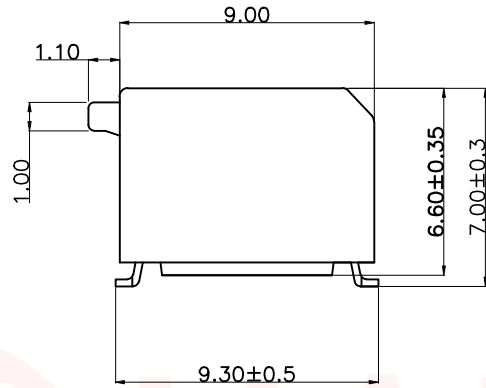
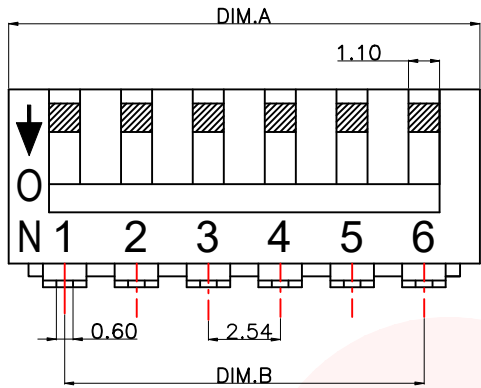




| | | | |
|------|-----------------------|---------|------|
| REV. | ECN NO OR DESCRIPTION | REVISED | DATE |
| | | | |



NOTES :

1.Specification:

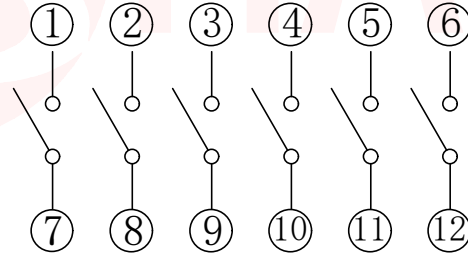
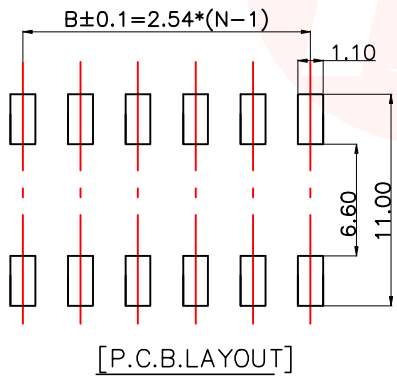
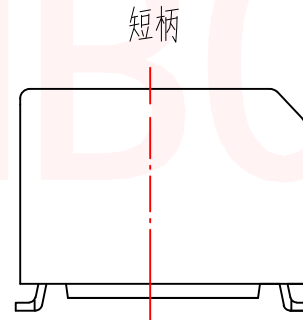
- 1>.Operating force:1000gf Max
- 2>.Operating Temperature:-40° to+85°
- 3>.Storage Temperature:.-40° to+85°
- 4>.Mechanical Life:3000cycles minimum
- 5>.Electrical Life:2000cycles minimum

2. PLATING:

GOLD FLASH 1u"~2u" SOLDER TAIL,
1u"~3u" GOLD PLATING ON THE CONTACT AREA,
WITH 50u" NICKEL UNDERPLATING OVERALL.

3. CONTACT RATING:

- 1.SWITCHING:25mA at 24VDC
- 2.NON-SWITCHING:100mA at 50VDC
WITH 50u" NICKEL UNDERPLATING OVERALL.



[Schematic]

| Number | Part Name | Material | Finished |
|--------|------------------|--------------|--------------|
| ① | Actuator | UL94 V0 | White |
| ② | Cover | UL94 V0 | Black |
| ③ | Movable | Copper Alloy | 1u"~3u" Gold |
| ④ | Terminal | Brass | 1u"~2u" Gold |
| ⑤ | Base | UL94 V0 | Black |
| ⑥ | Terminal Contact | Brass | 1u"~3u" Gold |

| PIN位 | | 1PIN | 2PIN | 3PIN | 4PIN | 5PIN | 6PIN | 7PIN | 8PIN | 10PIN |
|-------------------|------------------|--------------------|--------------------|--------------------|--------------------|--------------------|--------------------|--------------------|--------------------|----------------------|
| DIM.A (长度) | | | 6.48 | 9.02 | 11.56 | 14.10 | 16.64 | 19.18 | 21.72 | 26.80 |
| DIM.B (长度) | | | 2.54 | 5.08 | 7.62 | 10.16 | 12.70 | 15.24 | 17.78 | 22.86 |
| PART NO. 盖子/黑色 | 凸柄 (T) 短柄 (D) | DG-01PT DG-01PD | DG-02PT DG-02PD | DG-03PT DG-03PD | DG-04PT DG-04PD | DG-05PT DG-05PD | DG-06PT DG-06PD | DG-07PT DG-07PD | DG-08PT DG-08PD | DG-010PT DG-010PD |

UNLESS OTHERWISE SPECIFIED TOLERANCES

DECIMALS: X :±0.30 X.X :±0.20 X.XX :±0.10

ANGLES: X :±2° X.X :±1°

TITLE: DWN xiong
BY DSPV DIP SERIES PITCH 2.54mm
PART NO. DG-XXPT

CHKD: lee
SCALE: 1:1
UNIT: mm

APVD: wang
SIZE: A4
SHEET: 10F 1
REV: A4

CUSTOMER COPY

东莞市汉博电子科技有限公司
DONGGUAN HANBO TECHNOLOGY CO., LTD

X-ON Electronics

Largest Supplier of Electrical and Electronic Components

Click to view similar products for [DIP Switches/SIP Switches](#) category:

Click to view products by [Hanbo Electronic](#) manufacturer:

Other Similar products are found below :

[79B10T](#) [8136-475G4T](#) [G7G-1A2-CB-DC12](#) [DRS4016](#) [1825444-1](#) [193005MS](#) [195010MS](#) [200183](#) [206002](#) [208004](#) [208007ST](#) [208008](#)
[25.350.0653.0](#) [SDA10H1BDA](#) [97R06ST](#) [A2C-2A5](#) [1825444-7](#) [ADE12S04](#) [206005RAS](#) [209005LPST](#) [2-1825058-8](#) [219002LPST](#)
[219002MSTJRF](#) [219012MST](#) [25.352.0353.0](#) [CXDRIVEV2X](#) [LA2-002-DC24](#) [DSR02T](#) [193004MS](#) [E2FMX2D1M1TGJ03M](#) [NDI10H](#) [219-](#)
[9MSTP](#) [219008LPSTR](#) [EPM02FV](#) [206010RAST](#) [76SB05](#) [TD06H0SK1](#) [Z7.255.9027.0](#) [1-1825058-3](#) [1825428-4](#) [219-10LPSTF](#)
[E3ZG6111D03M](#) [G4D212PUSTV2DC5](#) [HARW0002](#) [EPG301BT06](#) [1-1825058-6](#) [E3TSL23M5J03M](#) [Y5795](#) [7R0060](#) [HARW0001](#)