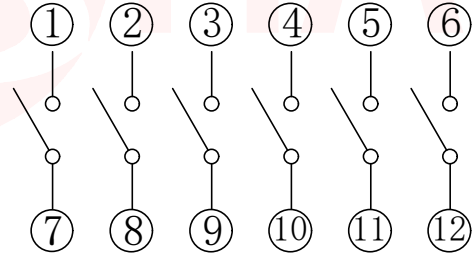
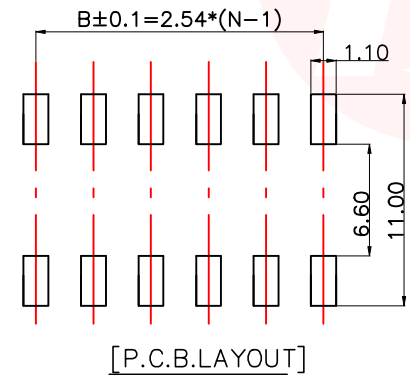
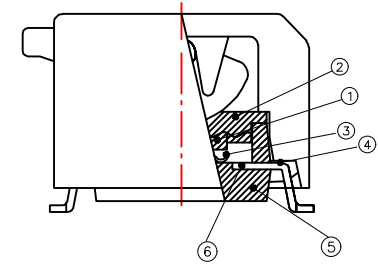
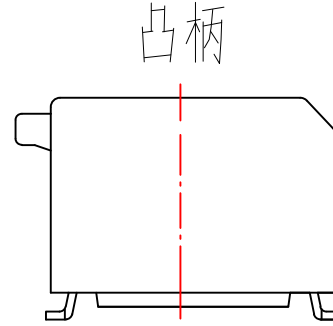
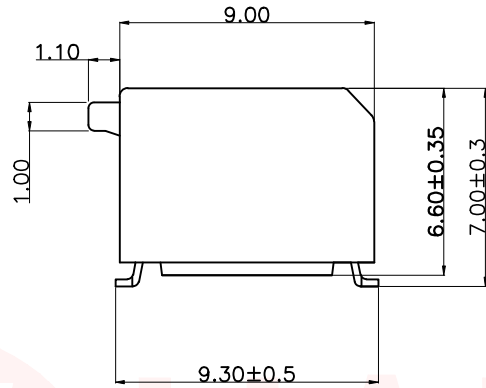
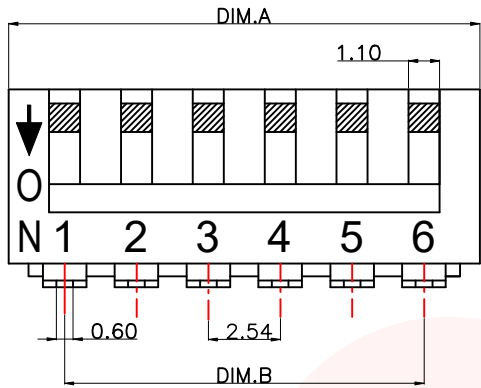
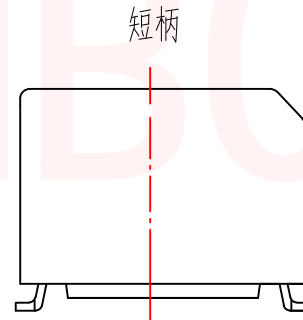




REV.	ECN NO OR DESCRIPTION	REVISED	DATE



[Schematic]



NOTES :

1.Specification:

- 1>.Operating force:1000gf Max
- 2>.Operating Temperature:-40° to+85°
- 3>.Storage Temperature:.-40° to+85°
- 4>.Mechanical Life:3000cycles minimum
- 5>.Electrical Life:2000cycles minimum

2. PLATING:

GOLD FLASH 1u"~2u" SOLDER TAIL,
1u"~3u" GOLD PLATING ON THE CONTACT AREA,
WITH 50u" NICKEL UNDERPLATING OVERALL.

3. CONTACT RATING:

- 1.SWITCHING:25mA at 24VDC
- 2.NON-SWITCHING:100mA at 50VDC
WITH 50u" NICKEL UNDERPLATING OVERALL.

Number	Part Name	Material	Finished
①	Actuator	UL94 V0	White
②	Cover	UL94 V0	Black
③	Movable	Copper Alloy	1u"~3u" Gold
④	Terminal	Brass	1u"~2u" Gold
⑤	Base	UL94 V0	Black
⑥	Terminal Contact	Brass	1u"~3u" Gold

PIN位		1PIN	2PIN	3PIN	4PIN	5PIN	6PIN	7PIN	8PIN	10PIN
DIM.A (长度)			6.48	9.02	11.56	14.10	16.64	19.18	21.72	26.80
DIM.B (长度)			2.54	5.08	7.62	10.16	12.70	15.24	17.78	22.86
PART NO. 盖子/黑色	凸柄 (T) 短柄 (D)	DG-01PT DG-01PD	DG-02PT DG-02PD	DG-03PT DG-03PD	DG-04PT DG-04PD	DG-05PT DG-05PD	DG-06PT DG-06PD	DG-07PT DG-07PD	DG-08PT DG-08PD	DG-010PT DG-010PD

UNLESS OTHERWISE SPECIFIED TOLERANCES



东莞市汉博电子科技有限公司
DONGGUAN HANBO TECHNOLOGY CO., LTD

DECIMALS: X :±0.30 X.X :±0.20 X.XX :±0.10
ANGLES: X :±2° X.X :±1°

TITLE	BY DSPV DIP SERIES PITCH 2.54mm		
DWN	xiong	PART NO. DG-XXPT	
CHKD	lee	SCALE:1:1	UNIT: mm
APVD	wang	SIZE: A4	SHEET:10F 1
REV: A4			

CUSTOMER COPY

X-ON Electronics

Largest Supplier of Electrical and Electronic Components

Click to view similar products for [DIP Switches/SIP Switches](#) category:

Click to view products by [Hanbo Electronic](#) manufacturer:

Other Similar products are found below :

[79B10T](#) [8136-475G4T](#) [G7G-1A2-CB-DC12](#) [DRS4016](#) [1825444-1](#) [193005MS](#) [195010MS](#) [200183](#) [206002](#) [208004](#) [208007ST](#) [208008](#)
[25.350.0653.0](#) [SDA10H1BDA](#) [97R06ST](#) [A2C-2A5](#) [1825444-7](#) [ADE12S04](#) [206005RAS](#) [209005LPST](#) [2-1825058-8](#) [219002LPST](#)
[219002MSTJRF](#) [219012MST](#) [25.352.0353.0](#) [CXDRIVEV2X](#) [LA2-002-DC24](#) [DSR02T](#) [193004MS](#) [E2FMX2D1M1TGJ03M](#) [NDI10H](#) [219-](#)
[9MSTP](#) [219008LPSTR](#) [EPM02FV](#) [206010RAST](#) [76SB05](#) [TD06H0SK1](#) [Z7.255.9027.0](#) [1-1825058-3](#) [1825428-4](#) [219-10LPSTF](#)
[E3ZG6111D03M](#) [G4D212PUSTV2DC5](#) [HARW0002](#) [EPG301BT06](#) [1-1825058-6](#) [E3TSL23M5J03M](#) [Y5795](#) [7R0060](#) [HARW0001](#)