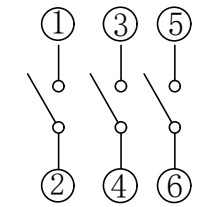
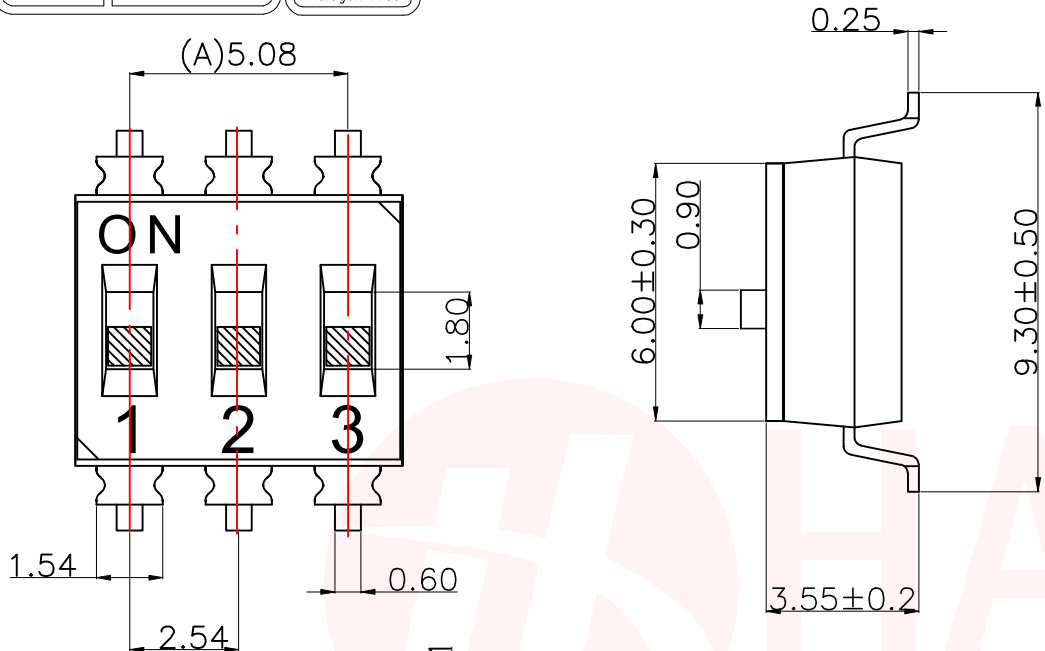




REV.	ECN NO OR DESCRIPTION	REVISED	DATE



[Schematic]

NOTES:

1.Specification:

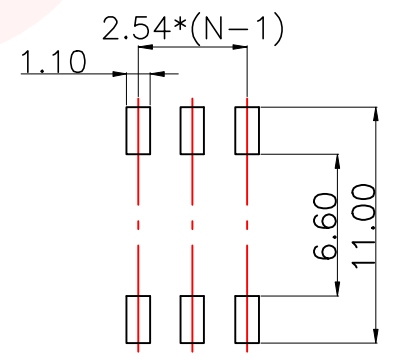
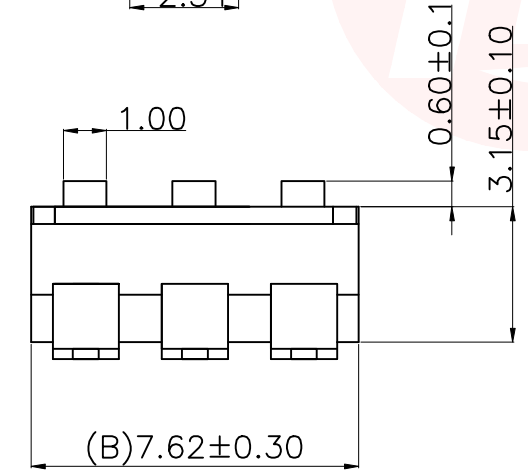
- 1>.Operation force: 1000gf Max.
- 2>.Operation Temperature: to $+85^{\circ}\text{C}$.
- 3>.Storage Temperature: to $+85^{\circ}\text{C}$.
- 4>.Mechanical Life: 3000 cycles operations.
- 5>.Resistance to Soldering: $260\pm 5^{\circ}\text{C}$ for 3-5 Seconds.

2.PLATING:

- 1>.GOLD flash 1u" (min) SOLDER TAIL,
- 3u" GOLD PLATING ON THE CONTACT AREA.

3.ELECTRICAL:

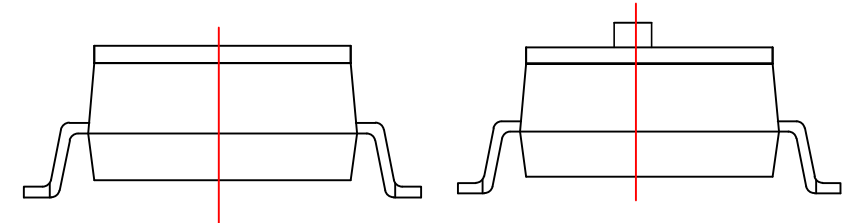
- 1>.Non-switch Rating: 100mA at 50V DC.
- 2>.Switching Rating: 25mA at 24V DC.
- 3>.Contact Resistance: Initial 50mΩ Max.
Contact Resistance: After life 100mΩ Max.
- 4>.Insulation Resistance: 1000MΩ Min at 500VDC.
- 5>.Dielectric Strength: 500V AC for 60seconds.
- 6>.Switch Capacitance: 5PF Max at 1MHZ.



[P.C.B.LAYOUT]

短柄

凸柄



PART NO.	凸柄 (T)	DO-01PT	DO-02PT	DO-03PT	DO-04PT	DO-05PT	DO-06PT	DO-07PT	DO-08PT	DO-010PT
盖子/黑色	短柄 (D)	DO-01PD	DO-02PD	DO-03PD	DO-04PD	DO-05PD	DO-06PD	DO-07PD	DO-08PD	DO-010PD

UNLESS OTHERWISE SPECIFIED TOLERANCES		东莞市汉博电子科技有限公司 DONGGUAN HANBO TECHNOLOGY CO., LTD			
DECIMALS:	ANGLES:	TITLE	2.54mm spacing patch DSIC series		
X :±0.30	X :±2°	DWN	xiong	PART NO. DO-03PT	
X.X :±0.20	X.X :±1°	CHKD	lee	SCALE:1:1	UNIT: mm
X.XX :±0.10		APVD	wang	SIZE: A4	SHEET:10F 1
CUSTOMER COPY					

X-ON Electronics

Largest Supplier of Electrical and Electronic Components

Click to view similar products for [DIP Switches/SIP Switches](#) category:

Click to view products by [Hanbo Electronic](#) manufacturer:

Other Similar products are found below :

[79B10T](#) [8136-475G4T](#) [G7G-1A2-CB-DC12](#) [DRS4016](#) [1825444-1](#) [193005MS](#) [195010MS](#) [200183](#) [206002](#) [208004](#) [208007ST](#) [208008](#)
[25.350.0653.0](#) [SDA10H1BDA](#) [97R06ST](#) [A2C-2A5](#) [1825444-7](#) [ADE12S04](#) [206005RAS](#) [209005LPST](#) [2-1825058-8](#) [219002LPST](#)
[219002MSTJRF](#) [219012MST](#) [25.352.0353.0](#) [CXDRIVEV2X](#) [LA2-002-DC24](#) [DSR02T](#) [193004MS](#) [E2FMX2D1M1TGJ03M](#) [NDI10H](#) [219-](#)
[9MSTP](#) [219008LPSTR](#) [EPM02FV](#) [206010RAST](#) [76SB05](#) [TD06H0SK1](#) [Z7.255.9027.0](#) [1-1825058-3](#) [1825428-4](#) [219-10LPSTF](#)
[E3ZG6111D03M](#) [G4D212PUSTV2DC5](#) [HARW0002](#) [EPG301BT06](#) [1-1825058-6](#) [E3TSL23M5J03M](#) [Y5795](#) [7R0060](#) [HARW0001](#)