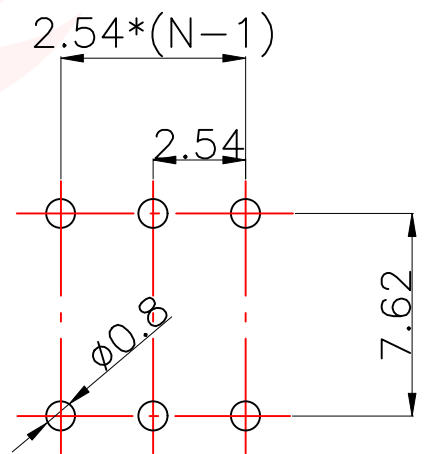
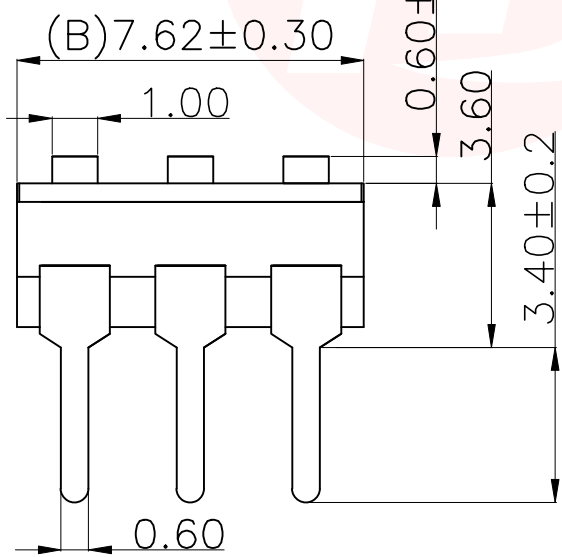
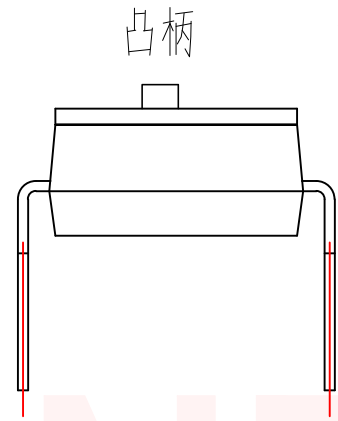
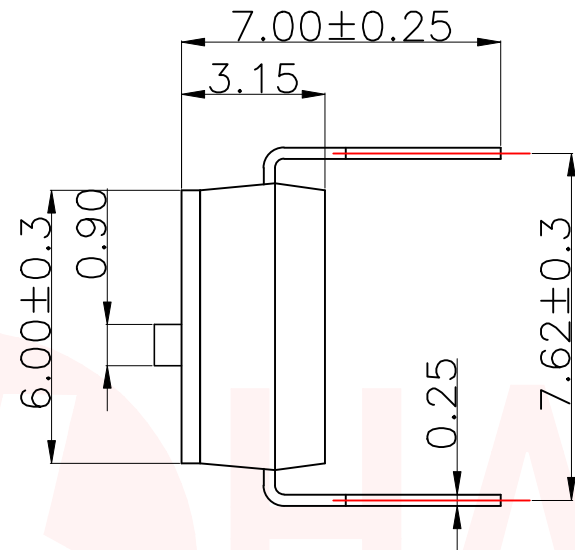
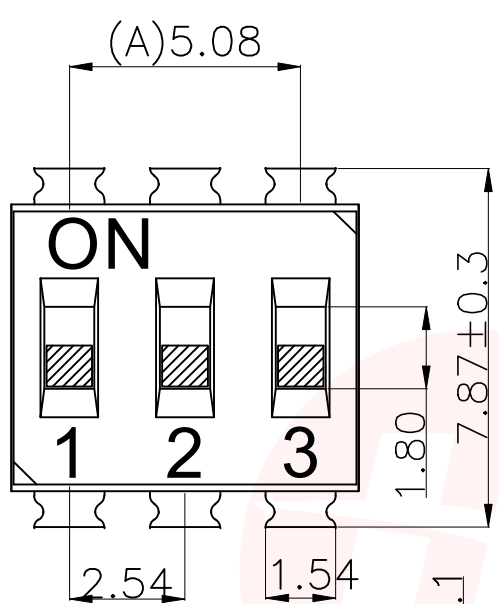
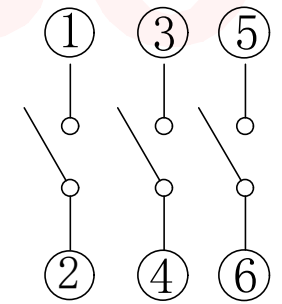
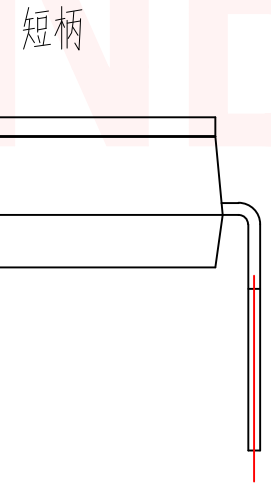




| REV. | ECN NO OR DESCRIPTION | REVISED | DATE |
|------|-----------------------|---------|------|
| | | | |



[P.C.B.LAYOUT]



NOTES:

1.Specification:

- 1>.Operation force: 1000gf Max.
- 2>.Operation Temperature: -30°Cto+85°C.
- 3>.Storage Temperature: -40°Cto+85°C.
- 4>.Mechanical Life: 3000 cycles operations.
- 5>.Resistance to Soldering: 260±5°C for 3-5 Seconds.

2.PLATING:

- 1>.GOLD flash 1u" (min) SOLDERTAIL, 3u" GOLD PLATING ON THE CONTACT AREA.

3.ELECTRICAL:

- 1>.Non-switch Rating:100mA at 50V DC.
- 2>.Switching Rating: 25mA at 24V DC.
- 3>.Contact Resistance: Inital 50mΩ Max. Contact Resistance: After life 100mΩ Max.
- 4>.Insulation Resistance:1000MΩ Min at500VDC.
- 5>.Dielectric Strength: 500V AC for 60seconds.
- 6>.Switch Capacitance: 5PF Max at 1MHZ.

[Schematic]

| PART NO. | 凸柄 (T) | DP-01PT | DP-02PT | DP-03PT | DP-04PT | DP-05PT | DP-06PT | DP-07PT | DP-08PT | DP-010PT |
|----------|--------|---------|---------|---------|---------|---------|---------|---------|---------|----------|
| 盖子/黑色 | 短柄 (D) | DP-01PD | DP-02PD | DP-03PD | DP-04PD | DP-05PD | DP-06PD | DP-07PD | DP-08PD | DP-010PD |

UNLESS OTHERWISE SPECIFIED TOLERANCES

DECIMALS: X :±0.30 X.X :±0.20 X.XX :±0.10

ANGLES: X :±2° X.X :±1°

东莞市汉博电子科技有限公司
DONGGUAN HANBO TECHNOLOGY CO., LTD

TITLE: DSIC product series with a spacing of 2.54mm

DWN: xiong PART NO. DP-03PT

CHKD: lee SCALE:1:1 UNIT: mm

APVD: wang SIZE: A4 SHEET:10F 1 REV: A4

CUSTOMER COPY

X-ON Electronics

Largest Supplier of Electrical and Electronic Components

Click to view similar products for [DIP Switches/SIP Switches](#) category:

Click to view products by [Hanbo Electronic](#) manufacturer:

Other Similar products are found below :

[79B10T](#) [8136-475G4T](#) [G7G-1A2-CB-DC12](#) [DRS4016](#) [1825444-1](#) [193005MS](#) [195010MS](#) [200183](#) [206002](#) [208004](#) [208007ST](#) [208008](#)
[25.350.0653.0](#) [SDA10H1BDA](#) [97R06ST](#) [A2C-2A5](#) [1825444-7](#) [ADE12S04](#) [206005RAS](#) [209005LPST](#) [2-1825058-8](#) [219002LPST](#)
[219002MSTJRF](#) [219012MST](#) [25.352.0353.0](#) [CXDRIVEV2X](#) [LA2-002-DC24](#) [DSR02T](#) [193004MS](#) [E2FMX2D1M1TGJ03M](#) [NDI10H](#) [219-](#)
[9MSTP](#) [219008LPSTR](#) [EPM02FV](#) [206010RAST](#) [76SB05](#) [TD06H0SK1](#) [Z7.255.9027.0](#) [1-1825058-3](#) [1825428-4](#) [219-10LPSTF](#)
[E3ZG6111D03M](#) [G4D212PUSTV2DC5](#) [HARW0002](#) [EPG301BT06](#) [1-1825058-6](#) [E3TSL23M5J03M](#) [Y5795](#) [7R0060](#) [HARW0001](#)