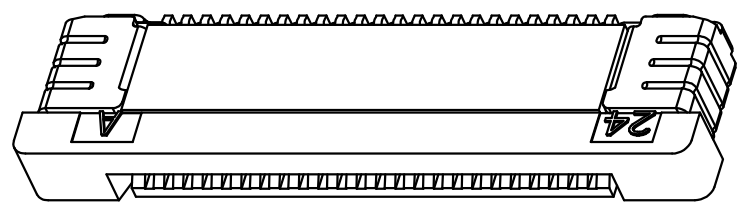
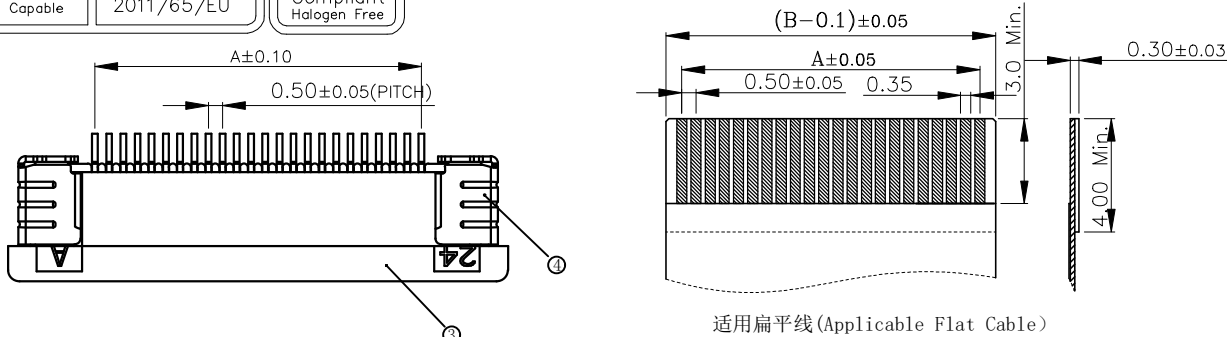




| REV. | ECN NO OR DESCRIPTION | REVISED | DATE |
|------|-----------------------|---------|------|
| | | | |



适用扁平线 (Applicable Flat Cable)

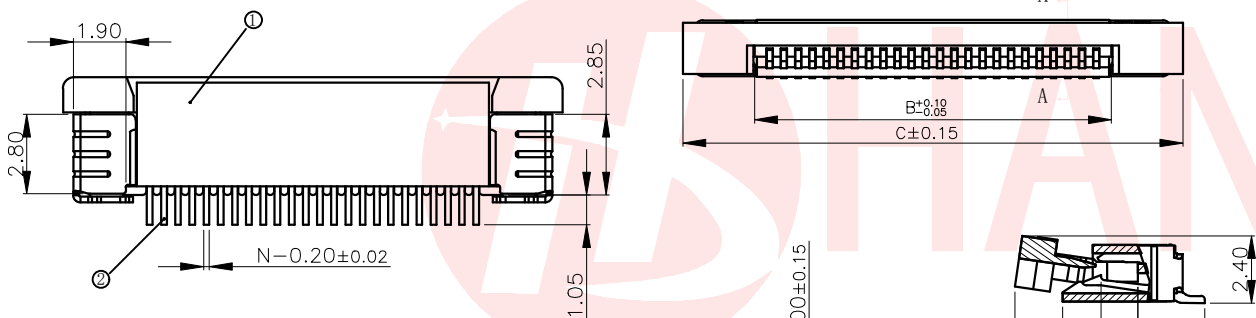
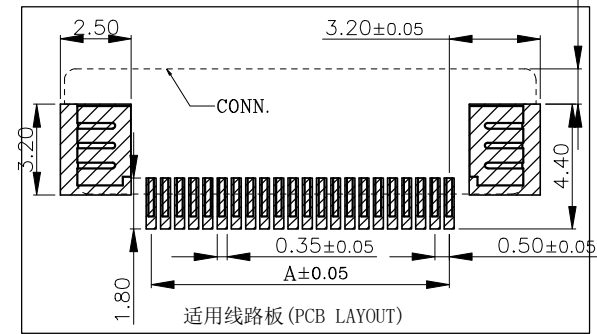
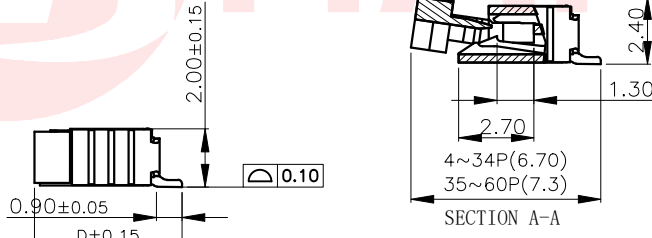


TABLE:

| CSG PART NO. | PIN# | DIM.A | DIM.B | DIM.C | DIM.D | CSG PART NO. | PIN# | DIM.A | DIM.B | DIM.C | DIM.D |
|----------------------|-------|-------|-------|-------|-------|----------------------|-------|-------|-------|-------|-------|
| HB-FPC-05LBXJ-H204P | 4PIN | 1.50 | 2.56 | 7.60 | 5.20 | HB-FPC-05LBXJ-H2033P | 33PIN | 16.00 | 17.06 | 22.10 | 5.20 |
| HB-FPC-05LBXJ-H205P | 5PIN | 2.00 | 3.06 | 8.10 | 5.20 | HB-FPC-05LBXJ-H2034P | 34PIN | 16.50 | 17.56 | 22.60 | 5.20 |
| HB-FPC-05LBXJ-H206P | 6PIN | 2.50 | 3.56 | 8.60 | 5.20 | HB-FPC-05LBXJ-H2035P | 35PIN | 17.00 | 18.06 | 23.10 | 5.20 |
| HB-FPC-05LBXJ-H207P | 7PIN | 3.00 | 4.06 | 9.10 | 5.20 | HB-FPC-05LBXJ-H2036P | 36PIN | 17.50 | 18.56 | 23.60 | 5.20 |
| HB-FPC-05LBXJ-H208P | 8PIN | 3.50 | 4.56 | 9.60 | 5.20 | HB-FPC-05LBXJ-H2037P | 37PIN | 18.00 | 19.06 | 24.10 | 5.20 |
| HB-FPC-05LBXJ-H209P | 9PIN | 4.00 | 5.06 | 10.10 | 5.20 | HB-FPC-05LBXJ-H2038P | 38PIN | 18.50 | 19.56 | 24.60 | 5.20 |
| HB-FPC-05LBXJ-H2010P | 10PIN | 4.50 | 5.56 | 10.60 | 5.20 | HB-FPC-05LBXJ-H2039P | 39PIN | 19.00 | 20.06 | 25.10 | 5.20 |
| HB-FPC-05LBXJ-H2011P | 11PIN | 5.00 | 6.06 | 11.10 | 5.20 | HB-FPC-05LBXJ-H2040P | 40PIN | 19.50 | 20.56 | 25.60 | 5.20 |
| HB-FPC-05LBXJ-H2012P | 12PIN | 5.50 | 6.56 | 11.60 | 5.20 | HB-FPC-05LBXJ-H2041P | 41PIN | 20.00 | 21.06 | 26.10 | 5.20 |
| HB-FPC-05LBXJ-H2013P | 13PIN | 6.00 | 7.06 | 12.10 | 5.20 | HB-FPC-05LBXJ-H2042P | 42PIN | 20.50 | 21.56 | 26.60 | 5.20 |
| HB-FPC-05LBXJ-H2014P | 14PIN | 6.50 | 7.56 | 12.60 | 5.20 | HB-FPC-05LBXJ-H2043P | 43PIN | 21.00 | 22.06 | 27.10 | 5.20 |
| HB-FPC-05LBXJ-H2015P | 15PIN | 7.00 | 8.06 | 13.10 | 5.20 | HB-FPC-05LBXJ-H2044P | 44PIN | 21.50 | 22.56 | 27.60 | 5.20 |
| HB-FPC-05LBXJ-H2016P | 16PIN | 7.50 | 8.56 | 13.60 | 5.20 | HB-FPC-05LBXJ-H2045P | 45PIN | 22.00 | 23.06 | 28.10 | 5.20 |
| HB-FPC-05LBXJ-H2017P | 17PIN | 8.00 | 9.06 | 14.10 | 5.20 | HB-FPC-05LBXJ-H2046P | 46PIN | 22.50 | 23.56 | 28.60 | 5.20 |
| HB-FPC-05LBXJ-H2018P | 18PIN | 8.50 | 9.56 | 14.60 | 5.20 | HB-FPC-05LBXJ-H2047P | 47PIN | 23.00 | 24.06 | 29.10 | 5.20 |
| HB-FPC-05LBXJ-H2019P | 19PIN | 9.00 | 10.06 | 15.10 | 5.20 | HB-FPC-05LBXJ-H2048P | 48PIN | 23.50 | 24.56 | 29.60 | 5.20 |
| HB-FPC-05LBXJ-H2020P | 20PIN | 9.50 | 10.56 | 15.60 | 5.20 | HB-FPC-05LBXJ-H2049P | 49PIN | 24.00 | 25.06 | 30.10 | 5.20 |
| HB-FPC-05LBXJ-H2021P | 21PIN | 10.00 | 11.06 | 16.10 | 5.20 | HB-FPC-05LBXJ-H2050P | 50PIN | 24.50 | 25.56 | 30.60 | 5.20 |
| HB-FPC-05LBXJ-H2022P | 22PIN | 10.50 | 11.56 | 16.60 | 5.20 | HB-FPC-05LBXJ-H2051P | 51PIN | 25.00 | 26.06 | 31.10 | 5.20 |
| HB-FPC-05LBXJ-H2023P | 23PIN | 11.00 | 12.06 | 17.10 | 5.20 | HB-FPC-05LBXJ-H2052P | 52PIN | 25.50 | 26.56 | 31.60 | 5.20 |
| HB-FPC-05LBXJ-H2024P | 24PIN | 11.50 | 12.56 | 17.60 | 5.20 | HB-FPC-05LBXJ-H2053P | 53PIN | 26.00 | 27.06 | 32.10 | 5.20 |
| HB-FPC-05LBXJ-H2025P | 25PIN | 12.00 | 13.06 | 18.10 | 5.20 | HB-FPC-05LBXJ-H2054P | 54PIN | 26.50 | 27.56 | 32.60 | 5.20 |
| HB-FPC-05LBXJ-H2026P | 26PIN | 12.50 | 13.56 | 18.60 | 5.20 | HB-FPC-05LBXJ-H2055P | 55PIN | 27.00 | 28.06 | 33.10 | 5.20 |
| HB-FPC-05LBXJ-H2027P | 27PIN | 13.00 | 14.06 | 19.10 | 5.20 | HB-FPC-05LBXJ-H2056P | 56PIN | 27.50 | 28.56 | 33.60 | 5.20 |
| HB-FPC-05LBXJ-H2028P | 28PIN | 13.50 | 14.56 | 19.60 | 5.20 | HB-FPC-05LBXJ-H2057P | 57PIN | 28.00 | 29.06 | 34.10 | 5.20 |
| HB-FPC-05LBXJ-H2029P | 29PIN | 14.00 | 15.06 | 20.10 | 5.20 | HB-FPC-05LBXJ-H2058P | 58PIN | 28.50 | 29.56 | 34.60 | 5.20 |
| HB-FPC-05LBXJ-H2030P | 30PIN | 14.50 | 15.56 | 20.60 | 5.20 | HB-FPC-05LBXJ-H2059P | 59PIN | 29.00 | 30.06 | 35.10 | 5.20 |
| HB-FPC-05LBXJ-H2031P | 31PIN | 15.00 | 16.06 | 21.10 | 5.20 | HB-FPC-05LBXJ-H2060P | 60PIN | 29.50 | 30.56 | 35.60 | 5.20 |
| HB-FPC-05LBXJ-H2032P | 32PIN | 15.50 | 16.56 | 21.60 | 5.20 | | | | | | |

- 技术指标 (Technical Index):
- 塑件表面应光洁、无毛边、无明显收缩、缺陷、裂纹等现象。
(The surface of the plastic parts should be smooth, no rough edges, no obvious shrinkage, defects, cracks and other phenomena.)
 - 温度范围 (Temperature range): -25° C ~ +85° C.
 - 额定电压 (Rated voltage): 50V, AC/DC (=等效).
 - 接触电阻 (Contact resistance): ≤ 0.03Ω.
 - 绝缘电阻 (Insulation resistance): ≥ 500MΩ.



| 序号 (NO.) | 品名 (Name) | 材质 (Material) |
|----------|--|--------------------------------------|
| ① | 0.5拉拔3代胶芯 (H2.0) 0.5 Pitch ZIF Type 3 Housing (H=2.0) | LCP UL94V-0 本色 Natural |
| ② | 0.5拉拔下端子 (H2.0) 0.5 Pitch H2.0 ZIF R/A Type Lower terminal | 磷青铜/表面镀锡 Phosphor Bronze/Tin Plating |
| ③ | 0.5拉拔3代后盖 (H2.0) 0.5 Pitch ZIF Type 3 Actuator (H=2.0) | LCP UL94V-0 黑色 Black |
| ④ | 0.5拉拔3代焊片 (H2.0) 0.5 Pitch ZIF Type 3 Fitting Nail (H=2.0) | 黄铜/表面镀锡 Brass/Tin Plating |

UNLESS OTHERWISE SPECIFIED TOLERANCES

DECIMALS: X :±0.30 X.X :±0.20 X.XX :±0.10

ANGLES: X :±2° X.X :±1°

东莞市汉博电子科技有限公司
DONGGUAN HANBO TECHNOLOGY CO., LTD

TITLE: 0.5 Pitch H2.0 ZIF R/A Type 3 Lower SMT CONN.

DWN: xiong PART NO: HB-FPC-05LBXJ-H20NP

CHKD: lee SCALE: 1:1 UNIT: mm

APVD: wang SIZE: A4 SHEET: 1 OF 1 REV: A4

CUSTOMER COPY

X-ON Electronics

Largest Supplier of Electrical and Electronic Components

Click to view similar products for [FFC & FPC Connectors](#) category:

Click to view products by [Hanbo Electronic](#) manufacturer:

Other Similar products are found below :

[00-6200-227-022-800](#) [006205250500825+](#) [006205280500825+](#) [FPH-1602G](#) [086222026001800](#) [52610-0675](#) [62674-201121DLF](#) [52746-1671-TR250](#) [10051922-1610EHLF](#) [10051922-2810EHLF](#) [686322124422](#) [XF3M-2915-1B-R100](#) [AYF353125A](#) [AYF530665TA](#) [AYF534065TA](#) [20FLH-RSM1-TB](#) [207356-1](#) [SFW12R-5STE9LF](#) [SFW18R-1STAE9LF](#) [SFW4R-5STE9LF](#) [52807-0430](#) [046283021002868+](#) [FFC05011-10SBB114W5M](#) [502250-8027](#) [67000-008LF](#) [200528-0260](#) [FH28K-10S-0.5SH](#) [FH52K-6S-0.5SH](#) [0.5K-DX-30PWB](#) [DS1020-08-10VBT12](#) [THD0515-34CL-GF](#) [X05A10L28G](#) [ECC2841061EU](#) [1.0K-DHQX-16PWB](#) [1.0K-DHQX-30PWB](#) [1775333-6](#) [10054365-202110ELF](#) [10054365-242110ELF](#) [10054365-282110ELF](#) [10064555-392220HLF](#) [59453-041110EBHLF](#) [59453-091110EDHLF](#) [62674-241141ALF](#) [62684-432100ALF](#) [62684-451100AHLF](#) [62684-5721N0ALF](#) [HFW11R-1STE1MTLF](#) [HFW12R-1STE9LF](#) [HFW14R-1STE9MTLF](#) [HFW18S-2STE9LF](#)