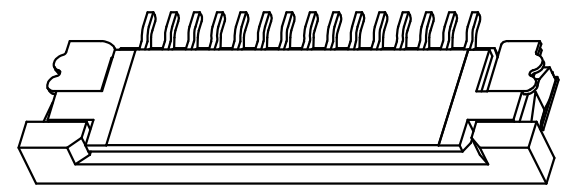
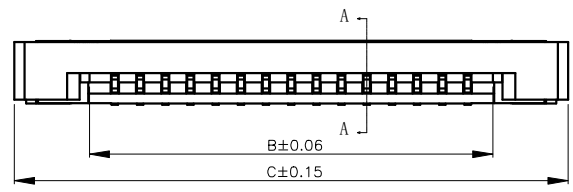
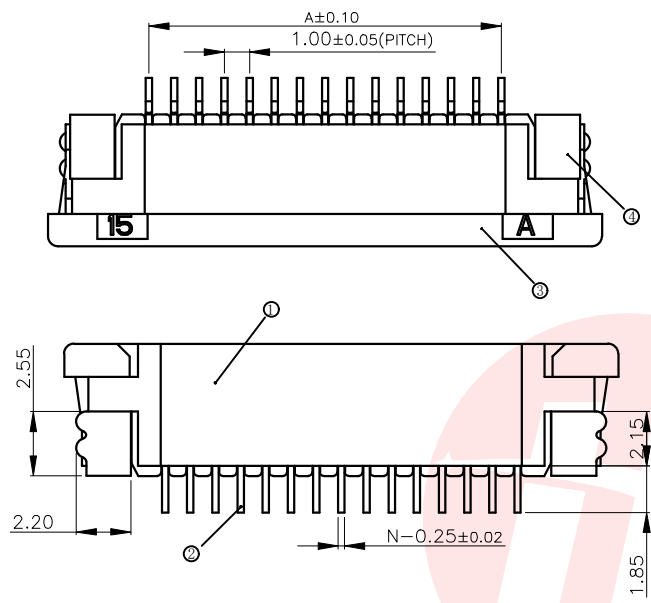


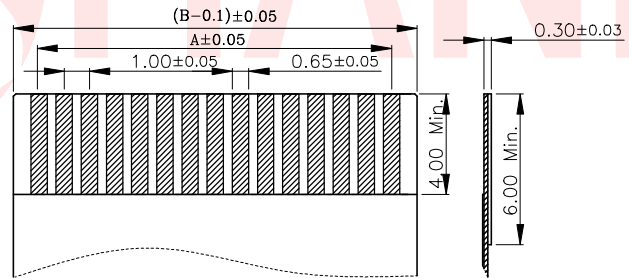
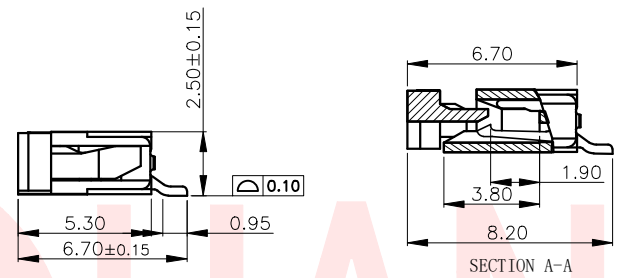


REV.	ECN NO OR DESCRIPTION	REVISED	DATE



技术指标 (Technical Index):

1. 塑件表面应光洁、无毛边、无明显收缩、缺陷、裂纹等现象。  
(The surface of the plastic parts should be smooth, no rough edges, no obvious shrinkage, defects, cracks and other phenomena.)
2. 温度范围 (Temperature range): -25° C ~ +85° C.
3. 额定电压 (Rated voltage): 50V, AC/DC (=等效).
4. 接触电阻 (Contact resistance): ≤0.03Ω.
5. 绝缘电阻 (Insulation resistance): ≥500MΩ.

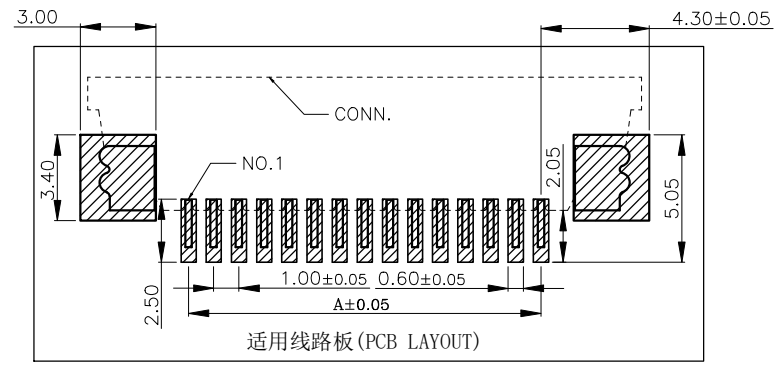


适用扁平线 (Applicable Flat Cable)

TABLE:

CSG PART NO.	PIN#	DIM.A	DIM.B	DIM.C
HB-FPC-10WSXJ-K-H254P	4PIN	3.00	5.06	11.10
HB-FPC-10WSXJ-K-H255P	5PIN	4.00	6.06	12.10
HB-FPC-10WSXJ-K-H256P	6PIN	5.00	7.06	13.10
HB-FPC-10WSXJ-K-H257P	7PIN	6.00	8.06	14.10
HB-FPC-10WSXJ-K-H258P	8PIN	7.00	9.06	15.10
HB-FPC-10WSXJ-K-H259P	9PIN	8.00	10.06	16.10
HB-FPC-10WSXJ-K-H2510P	10PIN	9.00	11.06	17.10
HB-FPC-10WSXJ-K-H2511P	11PIN	10.00	12.06	18.10
HB-FPC-10WSXJ-K-H2512P	12PIN	11.00	13.06	19.10
HB-FPC-10WSXJ-K-H2513P	13PIN	12.00	14.06	20.10
HB-FPC-10WSXJ-K-H2514P	14PIN	13.00	15.06	21.10
HB-FPC-10WSXJ-K-H2515P	15PIN	14.00	16.06	22.10
HB-FPC-10WSXJ-K-H2516P	16PIN	15.00	17.06	23.10
HB-FPC-10WSXJ-K-H2517P	17PIN	16.00	18.06	24.10
HB-FPC-10WSXJ-K-H2518P	18PIN	17.00	19.06	25.10
HB-FPC-10WSXJ-K-H2519P	19PIN	18.00	20.06	26.10
HB-FPC-10WSXJ-K-H2520P	20PIN	19.00	21.06	27.10
HB-FPC-10WSXJ-K-H2521P	21PIN	20.00	22.06	28.10
HB-FPC-10WSXJ-K-H2522P	22PIN	21.00	23.06	29.10
HB-FPC-10WSXJ-K-H2523P	23PIN	22.00	24.06	30.10
HB-FPC-10WSXJ-K-H2524P	24PIN	23.00	25.06	31.10
HB-FPC-10WSXJ-K-H2525P	25PIN	24.00	26.06	32.10
HB-FPC-10WSXJ-K-H2526P	26PIN	25.00	27.06	33.10
HB-FPC-10WSXJ-K-H2527P	27PIN	26.00	28.06	34.10
HB-FPC-10WSXJ-K-H2528P	28PIN	27.00	29.06	35.10
HB-FPC-10WSXJ-K-H2529P	29PIN	28.00	30.06	36.10
HB-FPC-10WSXJ-K-H2530P	30PIN	29.00	31.06	37.10

序号 (NO.)	品名 (Name)	材质 (Material)
①	1. OK型胶芯 (H2.5) 1. OK Type Housing (H2.5)	LCP UL94V-0 本色 <b>Natural</b>
②	1. OK型下端子 (H2.5) 1. OK Type Upper Terminal (H2.5)	磷青铜/表面镀锡 Phosphor Bronze/ Tin Plating
③	1. OK型卧式后盖 (H2.5) 1. OK Type Actuator (H2.5)	LCP UL94V-0 黑色 <b>Black</b>
④	1. OK型卧式焊片 (H2.5) 1. OK Type Fitting Nail (H2.5)	黄铜/表面镀锡 Brass/Tin Plating



适用线路板 (PCB LAYOUT)

UNLESS OTHERWISE SPECIFIED TOLERANCES

DECIMALS: X :±0.50 X.X :±0.20 X.XX :±0.10

ANGLES: X :±2° X.X :±1°

UNLESS OTHERWISE SPECIFIED TOLERANCES

东莞市汉博电子科技有限公司  
DONGGUAN HANBO TECHNOLOGY CO., LTD

TITLE	1.0 Pitch K型卧式下接 H2.5 ZIF R/A Type Under CONN.
DWN	xiong
CHKD	lee
APVD	wang

PART NO. HB-FPC-10WSXJ-K-H25NP  
SCALE: 1:1 UNIT: mm  
SIZE: A4 SHEET: 1 OF 1 REV: A4

CUSTOMER COPY

## X-ON Electronics

Largest Supplier of Electrical and Electronic Components

*Click to view similar products for [FFC & FPC Connectors](#) category:*

*Click to view products by [Hanbo Electronic](#) manufacturer:*

Other Similar products are found below :

[00-6200-227-022-800](#) [006205250500825+](#) [006205280500825+](#) [FPH-1602G](#) [086222026001800](#) [52610-0675](#) [62674-201121DLF](#) [52746-1671-TR250](#) [10051922-1610EHLF](#) [10051922-2810EHLF](#) [686322124422](#) [XF3M-2915-1B-R100](#) [AYF353125A](#) [AYF530665TA](#) [AYF534065TA](#) [20FLH-RSM1-TB](#) [PCA-7F-25-HL-3-G](#) [207356-1](#) [52807-0430](#) [502250-8027](#) [FH28K-40S-0.5SH](#) [200528-0260](#) [FH28K-10S-0.5SH](#) [501951-1250](#) [X05B20U43T](#) [0.5K-DX-30PWB](#) [DS1020-08-10VBT12](#) [THD0515-34CL-GF](#) [X05A10L28G](#) [ECC2841061EU](#) [20539-030E-01](#) [1.0K-DHQX-16PWB](#) [1.0K-DHQX-30PWB](#) [1775333-6](#) [10054365-202110ELF](#) [10054365-242110ELF](#) [10054365-282110ELF](#) [10064555-392220HLF](#) [59453-041110EBHLF](#) [59453-091110EDHLF](#) [62674-241141ALF](#) [62684-432100ALF](#) [62684-451100AHLF](#) [62684-5721N0ALF](#) [HFW11R-1STE1MTLF](#) [HFW12R-1STE9LF](#) [HFW14R-1STE9MTLF](#) [HFW18S-2STE9LF](#) [HFW20R-1STAE1HLF](#) [HFW20R-1STE1MTLF](#)