

产品名称
Product name

- ▶ 1. 27PH H1.0 2*nPIN 双排SMT W3.4 PC5.5 PA4.5 PB1.5 L7.2

产品应用场景
Product application scenario

- ▶ 电子通讯/数码产品/家用电器
- ▶ 外围设备/汽车/医疗设备等.
- ▶ Electronic communication/digital products/household appliance peripherals/AuTomobile/medical equipment, etc

产品参数/Product parameters

额定电流 (Rated current): 1A AC/DC

盐雾实验 (Life Test) : 48 hours

接触电阻 (Contact Resistance) : 20mΩ

绝缘电阻 (Insulation Resistance) : 1000MΩ min.

耐电压 (Withstand voltage) : AC 500V

工作温度 (Operating Temperature) : -40° C to 105°

防火等级 (Fire rating) : Polyester (UL94V-0)

触点电镀 (Dielectric Strength) : Gold Flash

耐高温范围/时长 (High temperature resistance range/duration) : 260° C for 5seconds

包装方式 (Packaging method) : 袋装

材质/MATERIALS:

| No. | 名称/NAME | 材料/MATERIAL | 表面处理/颜色 Surfacetreatment/color |
|-----|-------------------|-------------|-----------------------------------|
| ① | 端子/Terminal | Brass/C2680 | 镀金 gold-plating |
| ② | 塑胶/plastic cement | PBT/PA6T | 黑色 Black |

产品PIN位示意图/Schematic diagram of product PIN

| No. of | DIM. A | DIM. B | No. of | DIM. A | DIM. B | No. of | DIM. A | DIM. B | No. of | DIM. A | DIM. B | No. of | DIM. A | DIM. B |
|--------|--------|--------|--------|--------|--------|--------|--------|--------|--------|--------|--------|--------|--------|--------|
| 1 | — | — | 2*11P | 12.70 | 13.97 | 2*21P | 25.40 | 26.67 | 2*31P | 38.10 | 39.37 | 2*41P | 50.80 | 52.07 |
| 2*2P | 1.27 | 2.54 | 2*12P | 13.97 | 15.24 | 2*22P | 26.67 | 27.94 | 2*32P | 39.37 | 40.64 | 2*42P | 52.07 | 53.34 |
| 2*3P | 2.54 | 3.81 | 2*13P | 15.24 | 16.51 | 2*23P | 27.94 | 29.21 | 2*33P | 40.64 | 41.91 | 2*43P | 53.34 | 54.61 |
| 2*4P | 3.81 | 5.08 | 2*14P | 16.51 | 17.78 | 2*24P | 29.21 | 30.48 | 2*34P | 41.91 | 43.18 | 2*44P | 54.61 | 55.88 |
| 2*5P | 5.08 | 6.35 | 2*15P | 17.78 | 19.05 | 2*25P | 30.48 | 31.75 | 2*35P | 43.18 | 44.45 | 2*45P | 55.88 | 57.15 |
| 2*6P | 6.35 | 7.62 | 2*16P | 19.05 | 20.32 | 2*26P | 31.75 | 33.02 | 2*36P | 44.45 | 45.72 | 2*46P | 57.15 | 58.42 |
| 2*7P | 7.62 | 8.89 | 2*17P | 20.32 | 21.59 | 2*27P | 33.02 | 34.29 | 2*37P | 45.72 | 46.99 | 2*47P | 58.42 | 59.69 |
| 2*8P | 8.89 | 10.16 | 2*18P | 21.59 | 22.86 | 2*28P | 34.29 | 35.56 | 2*38P | 46.99 | 48.26 | 2*48P | 59.69 | 60.96 |
| 2*9P | 10.16 | 11.43 | 2*19P | 22.86 | 24.13 | 2*29P | 35.56 | 36.83 | 2*39P | 48.26 | 49.53 | 2*49P | 60.96 | 62.23 |
| 2*10P | 11.43 | 12.70 | 2*20P | 24.13 | 25.40 | 2*30P | 36.83 | 38.10 | 2*40P | 49.53 | 50.80 | 2*50P | 62.23 | 63.50 |

产品编号/Product No



- 1: Series No:
PH-Pin Header
- 2: 焊接板类型/Welding Board Type:
9-双排贴片/SMT Type with Locating Peg
- 3: 产品间距/Product spacing
127-1.27mm
200-2.00mm
254-2.54mm
- 4: PIN位/PIN bit
2*2P-22P

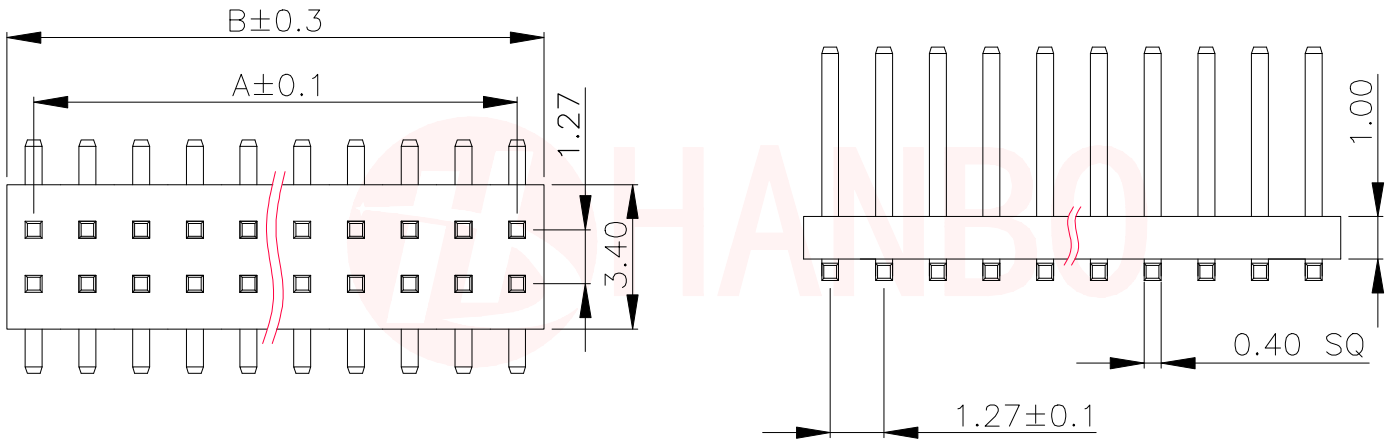
- 5: 颜色/Color:
B-Black
- 6: 材料/Material
1-PBT 2-PA6T
- 7: 触点电镀/Contact Plating
GO-Gold Flash
- 8: 包装方式/Packgin Method
P-袋装/PE B-盒装/BOX
T-管装/Tubing W-卷带/winding
- 9: Serial Code

连接器领域专家 让世界连接更清晰

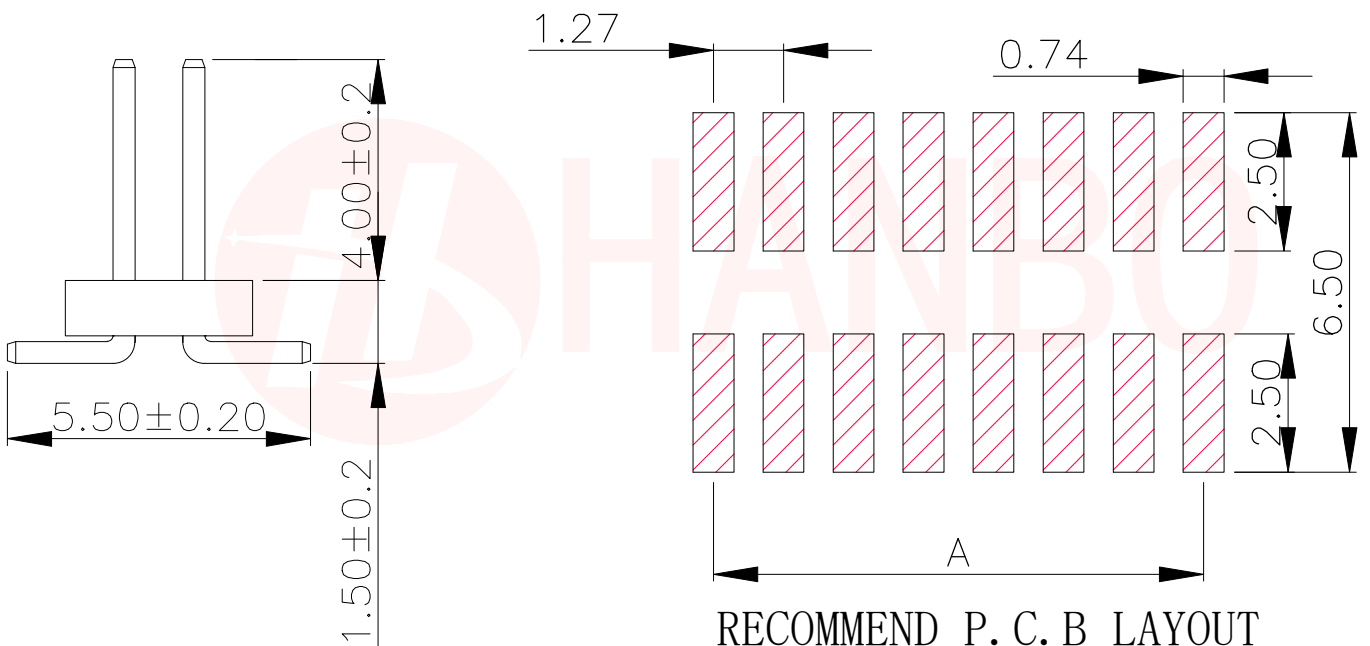
产品订购号示意图/Schematic diagram of product order number

Schematic diagram of product order number: HB-PH9-12722PB2G0P

产品外形尺寸图/Outline dimension drawing of product

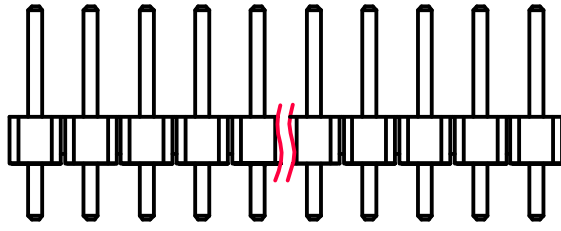


线路图/Circuit diagram

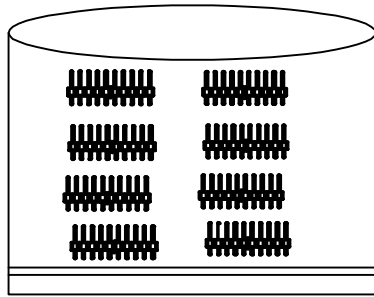
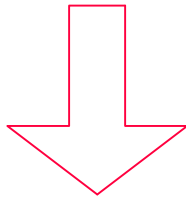


RECOMMEND P. C. B LAYOUT

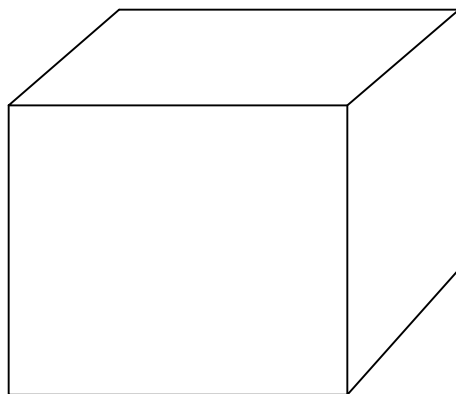
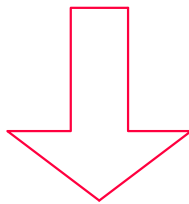
PCB TOLERANCE: ± 0.05 (TOP VIEW)



产品



3#胶袋: 16*18cm



纸箱

TACT Switch™

连接器领域专家 让世界连接更清晰

X-ON Electronics

Largest Supplier of Electrical and Electronic Components

Click to view similar products for [Headers & Wire Housings](#) category:

Click to view products by [Hanbo Electronic](#) manufacturer:

Other Similar products are found below :

[57102-F02-18ULF](#) [58102-G61-06LF](#) [582553-1](#) [009176003701906](#) [01.001.5753.1](#) [0050291907](#) [02.125.8002.8](#) [609-3404](#) [61062-3](#)
[CSU011177004](#) [622-0430](#) [622-3653LF](#) [63453-116](#) [636-1030](#) [636-1427](#) [636-3427](#) [636-4007](#) [641938-9](#) [644827-2](#) [65495-038](#) [65692-001LF](#)
[65781-018](#) [65781-047](#) [65817-010LF](#) [65817-015LF](#) [66207-023LF](#) [67095-007LF](#) [67601157](#) [68631-112](#) [68645-018](#) [699319-000](#)
[M90C108951C](#) [70.362.1628.0](#) [70-4210](#) [70-4226B](#) [70-4853B](#) [707-5028](#) [71.350.2428.0](#) [71961-016LF](#) [733-134](#) [733-162](#) [754199-000](#) [760-](#)
[3052](#) [80.063.4001.1](#) [800-90-001-10-001000](#) [800-90-010-10-002000](#) [801-43-002-10-013000](#) [801-43-006-10-002000](#) [803-41-018-10-001000](#)
[803-43-024-10-001000](#)