

产品名称  
Product name

- ▶ 1. 27PH H1.0 2\*nPIN 双排SMT W3.4 PC5.5 PA4.5 PB1.5 L7.2

产品应用场景  
Product application scenario

- ▶ 电子通讯/数码产品/家用电器
- ▶ 外围设备/汽车/医疗设备等.
- ▶ Electronic communication/digital products/household appliance peripherals/AuTomobile/medical equipment, etc

产品参数/Product parameters

额定电流 (Rated current): 1A AC/DC

盐雾实验 (Life Test) : 48 hours

接触电阻 (Contact Resistance) : 20mΩ

绝缘电阻 (Insulation Resistance) : 1000MΩ min.

耐电压 (Withstand voltage) : AC 500V

工作温度 (Operating Temperature) : -40° C to 105°

防火等级 (Fire rating) : Polyester (UL94V-0)

触点电镀 (Dielectric Strength) : Gold Flash

耐高温范围/时长 (High temperature resistance range/duration) : 260° C for 5seconds

包装方式 (Packaging method) : 袋装

材质/MATERIALS:

No.	名称/NAME	材料/MATERIAL	表面处理/颜色 Surfacetreatment/color
①	端子/Terminal	Brass/C2680	镀金 gold-plating
②	塑胶/plastic cement	PBT/PA6T	黑色 Black

产品PIN位示意图/Schematic diagram of product PIN

No. of	DIM. A	DIM. B	No. of	DIM. A	DIM. B	No. of	DIM. A	DIM. B	No. of	DIM. A	DIM. B	No. of	DIM. A	DIM. B
1	—	—	2*11P	12.70	13.97	2*21P	25.40	26.67	2*31P	38.10	39.37	2*41P	50.80	52.07
2*2P	1.27	2.54	2*12P	13.97	15.24	2*22P	26.67	27.94	2*32P	39.37	40.64	2*42P	52.07	53.34
2*3P	2.54	3.81	2*13P	15.24	16.51	2*23P	27.94	29.21	2*33P	40.64	41.91	2*43P	53.34	54.61
2*4P	3.81	5.08	2*14P	16.51	17.78	2*24P	29.21	30.48	2*34P	41.91	43.18	2*44P	54.61	55.88
2*5P	5.08	6.35	2*15P	17.78	19.05	2*25P	30.48	31.75	2*35P	43.18	44.45	2*45P	55.88	57.15
2*6P	6.35	7.62	2*16P	19.05	20.32	2*26P	31.75	33.02	2*36P	44.45	45.72	2*46P	57.15	58.42
2*7P	7.62	8.89	2*17P	20.32	21.59	2*27P	33.02	34.29	2*37P	45.72	46.99	2*47P	58.42	59.69
2*8P	8.89	10.16	2*18P	21.59	22.86	2*28P	34.29	35.56	2*38P	46.99	48.26	2*48P	59.69	60.96
2*9P	10.16	11.43	2*19P	22.86	24.13	2*29P	35.56	36.83	2*39P	48.26	49.53	2*49P	60.96	62.23
2*10P	11.43	12.70	2*20P	24.13	25.40	2*30P	36.83	38.10	2*40P	49.53	50.80	2*50P	62.23	63.50

产品编号/Product No



- 1: Series No:  
PH-Pin Header
- 2: 焊接板类型/Welding Board Type:  
9-双排贴片/SMT Type with Locating Peg
- 3: 产品间距/Product spacing  
127-1.27mm  
200-2.00mm  
254-2.54mm
- 4: PIN位/PIN bit  
2\*2P-22P

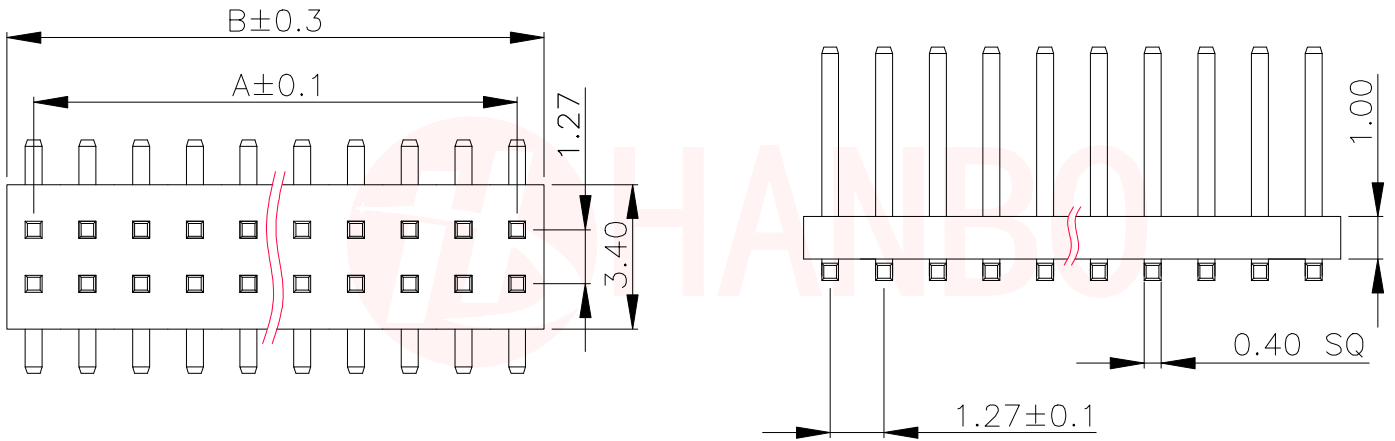
- 5: 颜色/Color:  
B-Black
- 6: 材料/Material  
1-PBT 2-PA6T
- 7: 触点电镀/Contact Plating  
GO-Gold Flash
- 8: 包装方式/Packgin Method  
P-袋装/PE B-盒装/BOX  
T-管装/Tubing W-卷带/winding
- 9: Serial Code

连接器领域专家 让世界连接更清晰

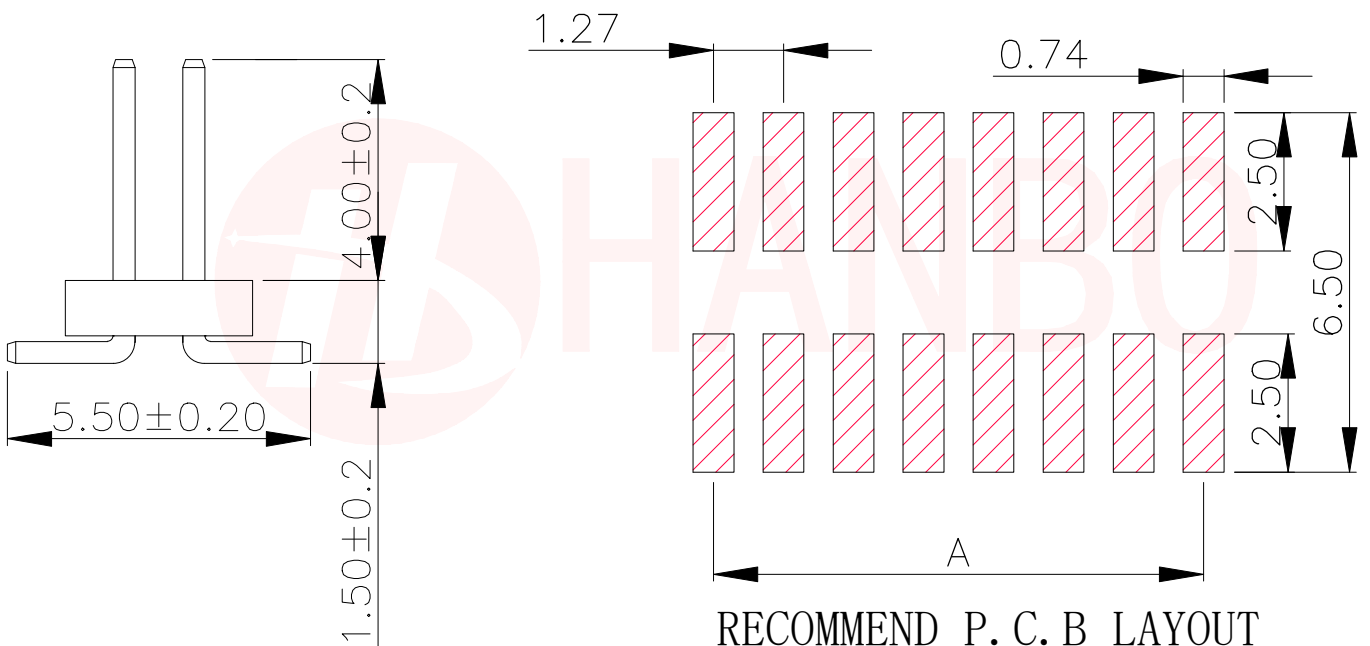
产品订购号示意图/Schematic diagram of product order number

Schematic diagram of product order number: HB-PH9-12722PB2G0P

产品外形尺寸图/Outline dimension drawing of product

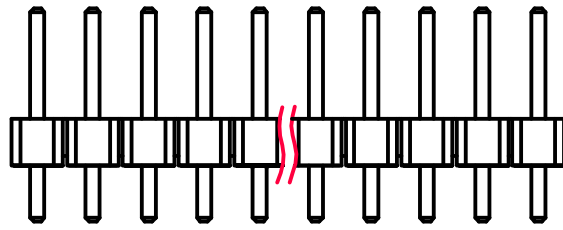


线路图/Circuit diagram

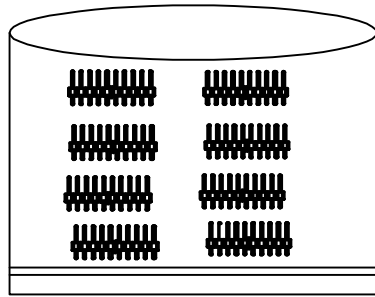
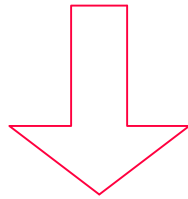


RECOMMEND P. C. B LAYOUT

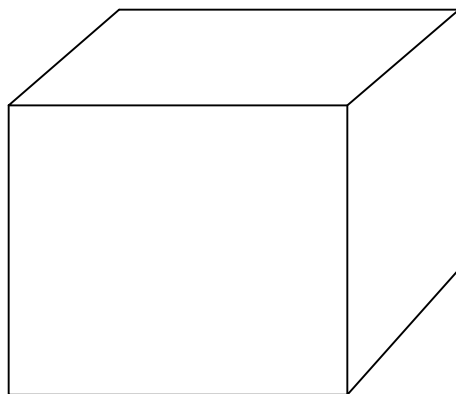
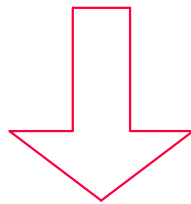
PCB TOLERANCE:  $\pm 0.05$  (TOP VIEW)



产品



3#胶袋: 16\*18cm



纸箱

TACT Switch™

连接器领域专家 让世界连接更清晰

## X-ON Electronics

Largest Supplier of Electrical and Electronic Components

*Click to view similar products for [Headers & Wire Housings](#) category:*

*Click to view products by [Hanbo Electronic](#) manufacturer:*

Other Similar products are found below :

[57102-F02-18ULF](#) [58102-G61-06LF](#) [582553-1](#) [009176003701906](#) [01.001.5753.1](#) [0050291907](#) [02.125.8002.8](#) [609-3404](#) [61062-3](#)  
[CSU011177004](#) [622-0430](#) [622-3653LF](#) [63453-116](#) [636-1030](#) [636-1427](#) [636-3427](#) [636-4007](#) [641938-9](#) [644827-2](#) [65495-038](#) [65692-001LF](#)  
[65781-018](#) [65781-047](#) [65817-010LF](#) [65817-015LF](#) [66207-023LF](#) [67095-007LF](#) [67601157](#) [68631-112](#) [68645-018](#) [699319-000](#)  
[M90C108951C](#) [70.362.1628.0](#) [70-4210](#) [70-4226B](#) [70-4853B](#) [707-5028](#) [71.350.2428.0](#) [71961-016LF](#) [733-134](#) [733-162](#) [754199-000](#) [760-](#)  
[3052](#) [80.063.4001.1](#) [800-90-001-10-001000](#) [800-90-010-10-002000](#) [801-43-002-10-013000](#) [801-43-006-10-002000](#) [803-41-018-10-001000](#)  
[803-43-024-10-001000](#)