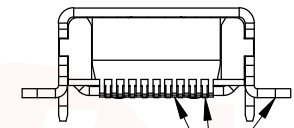
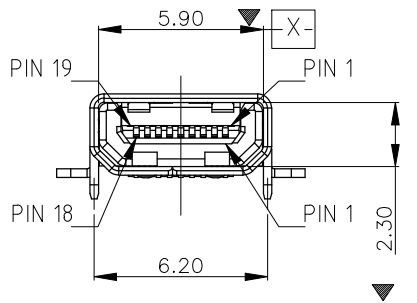
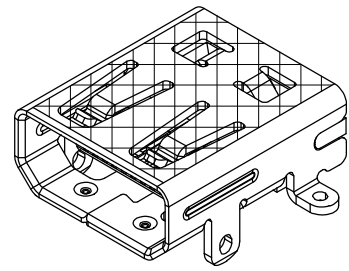
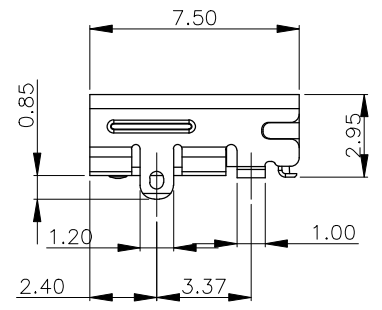
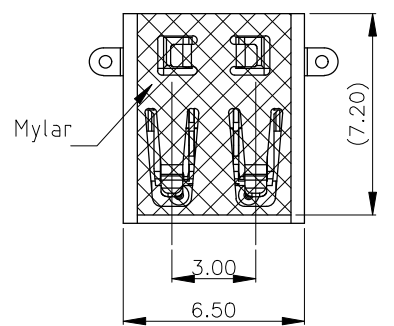


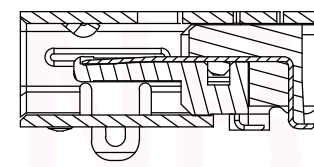


REV.	ECN NO OR DESCRIPTION	REVISED	DATE

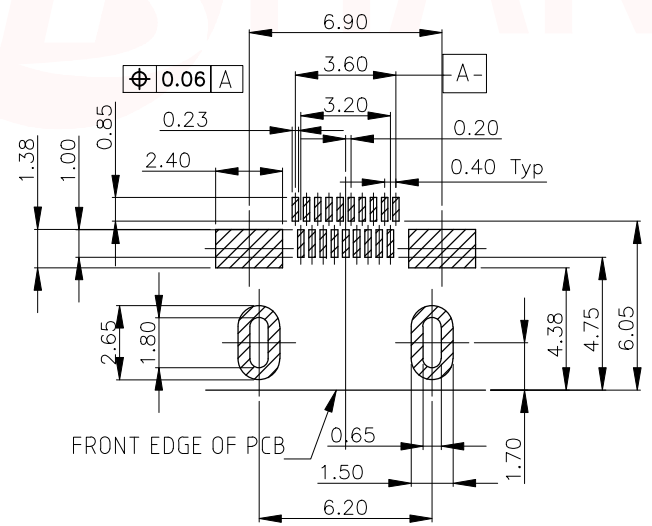
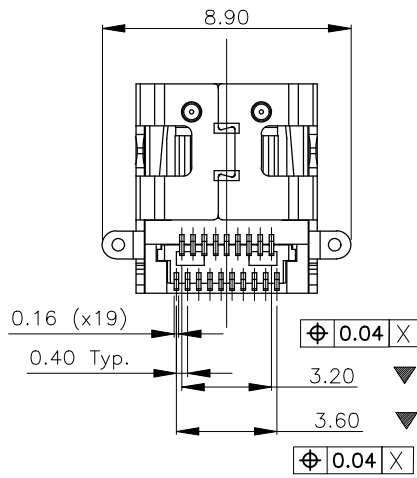


0.10

(SHELL & TERMINAL)



- NOTES:
- RATING CURRENT: 0.3A Min.
 - RATING VOLTAGE: 40VAC
 - CONTACT RESISTANCE: 10mΩ Max. (EXCLUDING CONDUCTOR RESISTANCE)
 - INSULATION RESISTANCE:
 - UNMATED: 100MΩ Min AT 500 VDC.
 - MATED: 10MΩ Min AT 150 VDC.
 - DIELECTRIC WITHSTANDING VOLTAGE:
 - UNMATED: 250VAC FOR 60s.
 - MATED: 150VAC FOR 60s.
 - INSERTION FORCE: 44.1N Max.
 - WITHDRAWAL FORCE: 5N Min.(AFTER 5000 CYCLES 3N Min.), 25N Max.
 - DURABILITY: 5000 CYCLES
 - OPERATING TEMPERATURE: -20°C~+85°C
 - STORAGE TEMPERATURE: -20°C~+65°C



RECOMMENDED PCB LAYOUT
TOP VIEW (TOL=±0.05)

PIN	Signal Assignment	PIN	Signal Assignment
1	Hot Plug Detect	2	Utility
3	TMDS Data2+	4	TMDS Data2 Shield
5	TMDS Data2-	6	TMDS Data1+
7	TMDS Data1 Shield	8	TMDS Data1-
9	TMDS Data0+	10	TMDS Data0 Shield
11	TMDS Data0-	12	TMDS Clock+
13	TMDS Clock Shield	14	TMDS Clock-
15	CEC	16	DDC/CEC Ground
17	SCL	18	SDA
19	+5V Power		

3	SHELL	1		BRASS C2680R-H T=0.30mm	80u" Nickel OVER 80u" Copper
2	INSULATOR	1		LCP, BLACK	/
1	TERMINAL	19		BRASS C2680R-H T=0.12mm	Selected Au OVER 50u" Nickel
NO.	PART NAME	Q'TY	DWG NO.	PART NO.	MATERIAL FINISHED

UNLESS OTHERWISE SPECIFIED TOLERANCES



DECIMALS: X :±0.35 X.X :±0.25 X.XX :±0.15
 ANGLES: X :±2° X.X :±1°

TITLE	HDMI D TYPE SMT NORMAL			
DWN	xiong	PART NO. HDMI-212		
CHKD	lee	SCALE:1:1	UNIT: mm	④
APVD	wang	SIZE: A4	SHEET:10F 1	REV: A4

CUSTOMER COPY

X-ON Electronics

Largest Supplier of Electrical and Electronic Components

Click to view similar products for [HDMI, Displayport & DVI Connectors](#) category:

Click to view products by [Hanbo Electronic](#) manufacturer:

Other Similar products are found below :

[30-528](#) [30-504](#) [33DVIR-24S1B](#) [47648-2000](#) [TC142X](#) [1932649-1](#) [HAGBH](#) [AABII](#) [ABIBG](#) [AAIBH](#) [52355](#) [XHLJQ-00026](#) [HDMI-019R](#)
[G46M2013201AWEU](#) [ST-0277D00-052-142](#) [HC-PJ-320A-3P-D](#) [HC-PJ-3133-5P-D](#) [PJ-342](#) [141](#) [PJ-320A-4P DIP](#) [HC-PJ-325C-5P](#) [HC-PJ-](#)
[320D-4P-S](#) [HC-PJ-3133-6P-S](#) [D-SUB-DR-9PCM-CB](#) [ST-0275S00-082-182](#) [HC-PJ-320A-4P-D](#) [HC-PJ-325A-5P](#) [HC-PJ-3134-6P-D](#) [HDR-](#)
[HX-102DIP](#) [HDMI-GD-121PWB](#) [C2939191](#) [C2939584](#) [PJ-208](#) [PJ-2040](#) [PJ-3580A-6A](#) [PJ-399M](#) [PJ-3200A-3A](#) [PJ-328B-4B](#) [PJ-3930-7A](#)
[PJ-615-5A](#) [PJ-332-6A](#) [KH-HDMI-0001](#) [KH-PJ-209-SMT](#) [KH-HDMI-0035-XK](#) [KH-PJ-328A-5P](#) [KH-PJ-322](#) [KH-PJ-327E-SMT](#) [KH-PJ-](#)
[320A-5.6](#) [KH-HDR15P-F3.08](#) [KH-HDMI-0005A-SMT](#) [KH-HDMI-0021-JBS](#)