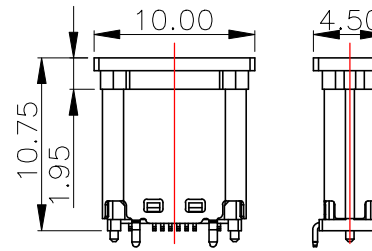
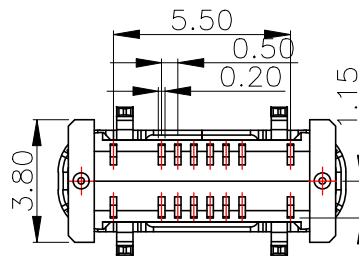
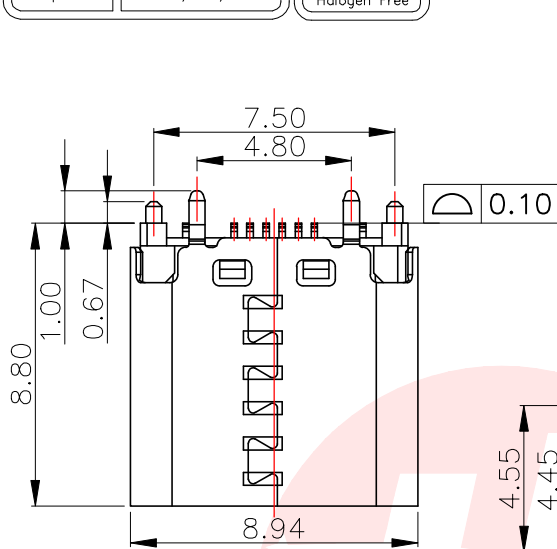


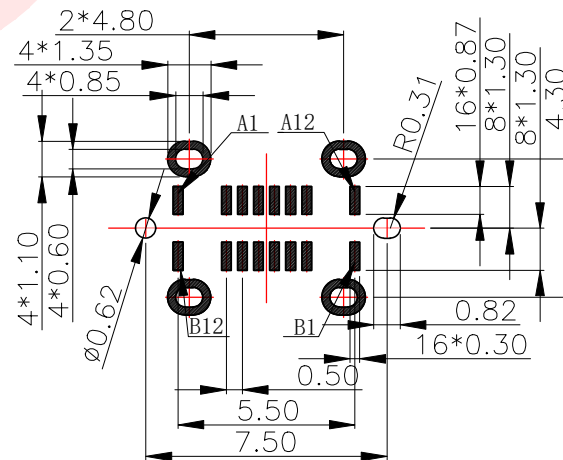
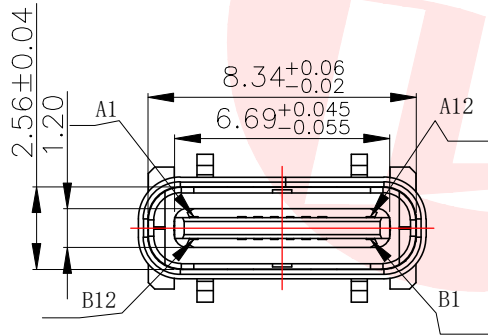
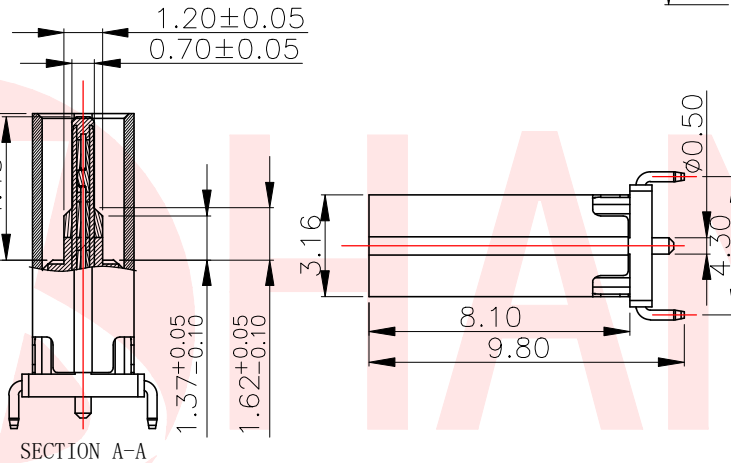


5	6
REV.	ECN NO OR DESCRIPTION
REVISED	DATE



VIEW WITH CAP
(SCALE 1:2)

- SPECIFICATION:**
- MATERIAL & FINISH:**SEE THE LIST;
 - PLATING SPECIFICATION:**
 - CONTACTS:**
Ni 50u" MIN. UNDER PLATED OVER ALL.
Au PLATED ON THE MATING AREA OF CONTACT.
 - SHELL:**Ni 30u" MIN. UNDER PLATED OVER ALL.
 - MID PLATE:**CLEAR ONLY
 - MECHANICAL:**
 - MATING FORCE:**0.5~2.0kgf;
 - UNMATING FORCE:**0.8~2.0kgf.
0.6~2.0kgf AFTER DURABILITY TEST;
 - DURABILITY:**10000 CYCLES;
 - ELECTRICAL:**
 - CURRENT RATING:**5A Max;
 - VOLTAGE RATING:**20V Max;
 - DIELECTRIC WITHSTANDING VOLTAGE:**100VAc;
 - CONTACT RESISTANCE:**40mΩ Ohms Max. ;
 - INSULATION RESISTANCE:**100M Ohms Min. ;
 - ENVIRONMENTAL:**
 - OPERATING TEMPERATURE:**-40° C~+85° C;
 - WETTING TEMPERATURE:**265±5° C, 5±0.5s
 - Salt Spray Test:**48H Min



(TOP VIEW)
RECOMMENDED P.C.B. LAYOUT (T:0.8mm)
TOLERANCE UNSPECIFIED ±0.05mm

A1	A2	A3	A4	A5	A6	A7	A8	A9	A10	A11	A12
GND			VBUS	CC1	D+	D-	SBU1	VBUS			GND
A12	B11	B10	B9	B8	B7	B6	B5	B4	B3	B2	B1
GND			VBUS	SBU2	D-	D+	CC2	VBUS			GND

NO.	PART NAME	Q' TY	MATERIAL	FINISH
5	CAP	1	High temperature plastic	UL94 V-0, Black
4	Shell	1	Stainless Steel, T=0.30mm	30u"Ni Min.
3	GroundBar	1	Stainless Steel, T=0.15mm	No Plating
2	Contact	16	Copper Alloy, T=0.15mm	Au/Ni-Plated
1	Housing	1	High temperature plastic	UL94 V-0, Black

UNLESS OTHERWISE SPECIFIED TOLERANCES



东莞市汉博电子科技有限公司
DONGGUAN HANBO TECHNOLOGY CO., LTD

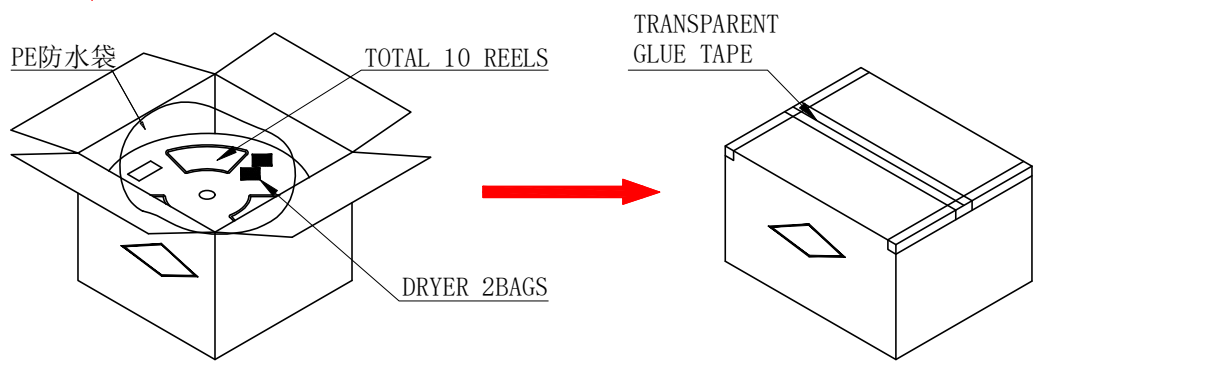
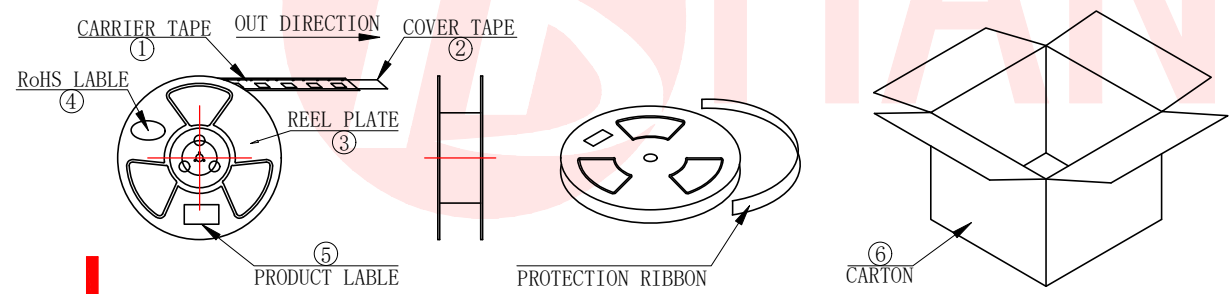
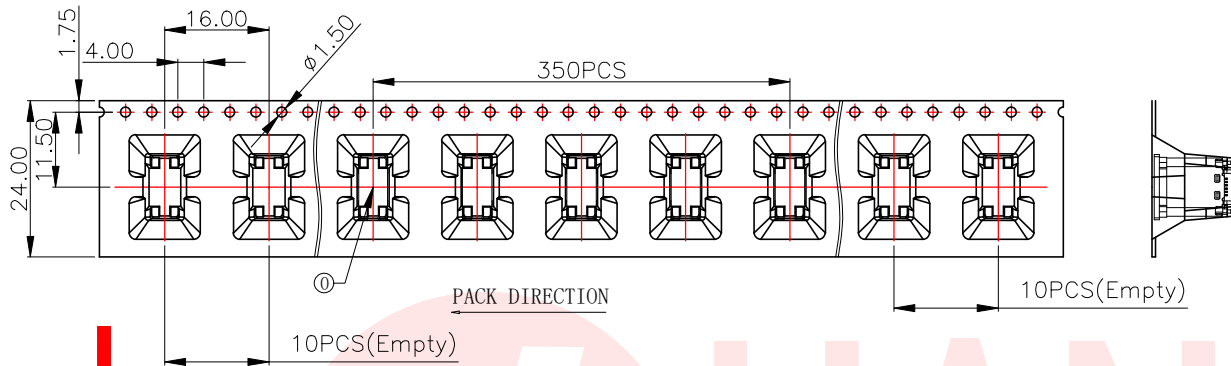
DECIMALS: ANGLES:
X :±0.30 X :±2°
X.X :±0.20 X.X :±1°
X.XX :±0.10

TITLE	TYPE C 16PIN 立贴式母座H8.8			
DWN	xiong	PART NO. MC-1018LS-H88		
CHKD	lee	SCALE:1:1	UNIT: mm	
APVD	wang	SIZE: A4	SHEET:10F 1	REV: A4

CUSTOMER COPY



REV.	ECN NO OR DESCRIPTION	REVISED	DATE



说明:

1. 每卷前后各空10PCS, 尾部用美纹胶纸封住;
2. 将产品放满盘后, 再卷一圈保护带, 用美纹胶纸将其封住, 并贴上1Pcs物料标签;
3. 每10卷盘一叠共3500Pcs并装入1个外箱内;
4. 在搬运过程中要轻拿轻放;
5. 在运输中不可堆放过多(1.8M最高), 不可重压;
6. 跌落测试条件:
成品箱从1.2米高度自由落体(一角三棱六面):
a. 产品不可跑出下带凹槽;
b. 产品不可有摔伤, 变形;
c. 内包装材料不可严重破损.

NO.	NAME	SPEC	Q' TY
①	TYPE C RECEPTACLE		3500PCS/CARTON
②	CARRIER TAPE	W=24mm, T=0.50mm	350PCS/PLATE
③	COVER TAPE	W=21.3mm	10PLATES/CARTON
④	REEL PLATE	330*100*24.4mm	10PCS/CARTON
⑤	RoHS LABEL		10PCS/CARTON
⑥	PRODUCT LABER		10PCS/CARTON
⑦	CARTON	350*340*310mm	1PCS/PACKAGE

UNLESS OTHERWISE SPECIFIED TOLERANCES

DECIMALS: X :±0.30 X.X :±0.20 X.XX :±0.10

ANGLES: X :±2° X.X :±1°

东莞市汉博电子科技有限公司
DONGGUAN HANBO TECHNOLOGY CO., LTD

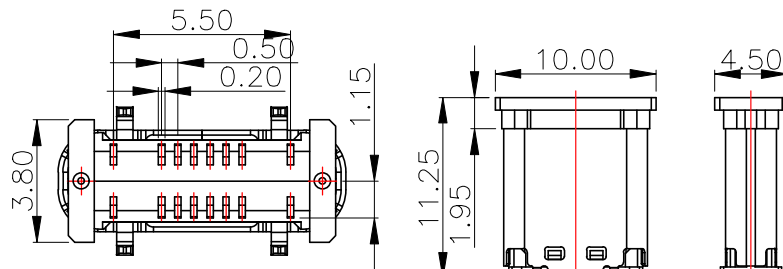
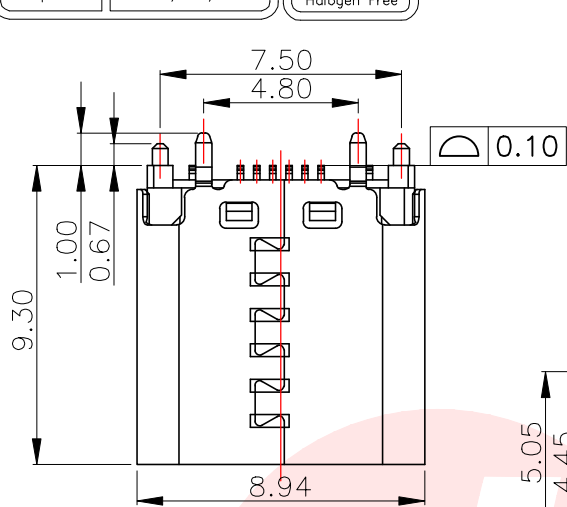
TITLE: TYPE C 16PIN 立贴式母座H8.8

DWN	xiong	PART NO.	MC-1018LS-H88
CHKD	lee	SCALE: 1:1	UNIT: mm
APVD	wang	SIZE: A4	SHEET: 10F 1

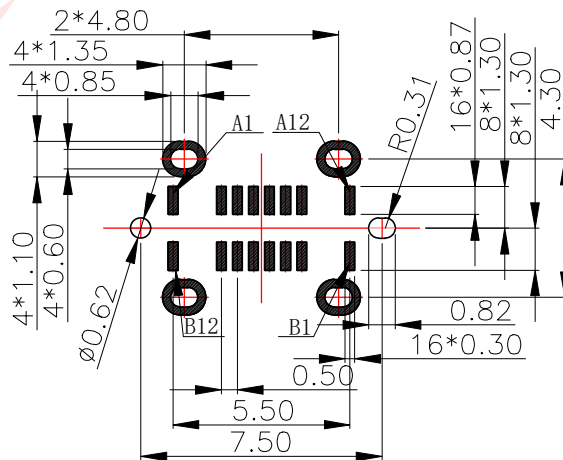
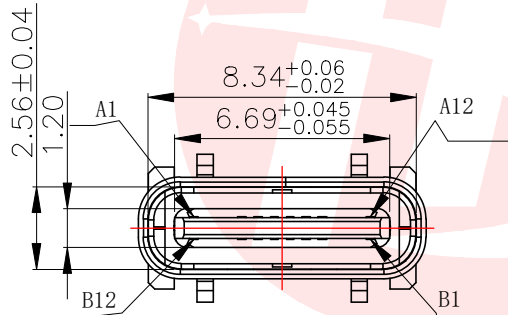
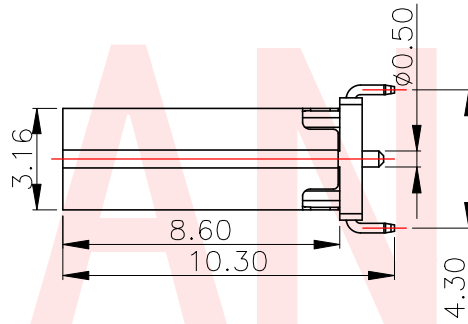
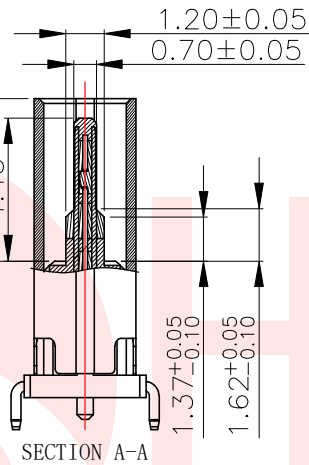
CUSTOMER COPY



REV.	ECN NO OR DESCRIPTION	REVISED	DATE



VIEW WITH CAP
(SCALE 1:2)



(TOP VIEW)
RECOMMENDED P.C.B. LAYOUT (T:0.8mm)
TOLERANCE UNSPECIFIED ±0.05mm

- SPECIFICATION:**
- MATERIAL & FINISH:**SEE THE LIST;
 - PLATING SPECIFICATION:**
 - CONTACTS:**
Ni 50u" MIN. UNDER PLATED OVER ALL.
Au PLATED ON THE MATING AREA OF CONTACT.
Au PLATED ON THE SOLDER AREA.
 - SHELL:**Ni 30u" MIN. UNDER PLATED OVER ALL.
 - MID PLATE:**CLEAR ONLY
 - MECHANICAL:**
 - MATING FORCE:**0.5~2.0kgf;
 - UNMATING FORCE:**0.8~2.0kgf.
0.6~2.0kgf AFTER DURABILITY TEST;
 - DURABILITY:**10000 CYCLES;
 - ELECTRICAL:**
 - CURRENT RATING:**5A Max;
 - VOLTAGE RATING:**20V Max;
 - DIELECTRIC WITHSTANDING VOLTAGE:**100VAc;
 - CONTACT RESISTANCE:**40mΩ Ohms Max. ;
 - INSULATION RESISTANCE:**100M Ohms Min. ;
 - ENVIRONMENTAL:**
 - OPERATING TEMPERATURE:**-40° C~+85° C;
 - WETTING TEMPERATURE:**265±5° C, 5±0.5s
 - Salt Spray Test:**48H Min

A1	A2	A3	A4	A5	A6	A7	A8	A9	A10	A11	A12
GND			VBUS	CC1	D+	D-	SBU1	VBUS			GND
A12	B11	B10	B9	B8	B7	B6	B5	B4	B3	B2	B1
GND			VBUS	SBU2	D-	D+	CC2	VBUS			GND

NO.	PART NAME	Q' TY	MATERIAL	FINISH
5	CAP	1	High temperature plastic	UL94 V-0, Black
4	Shell	1	Stainless Steel, T=0.30mm	30u"Ni Min.
3	GroundBar	1	Stainless Steel, T=0.15mm	No Plating
2	Contact	16	Copper Alloy, T=0.15mm	Au/Ni-Plated
1	Housing	1	High temperature plastic	UL94 V-0, Black

UNLESS OTHERWISE SPECIFIED TOLERANCES



东莞市汉博电子科技有限公司
DONGGUAN HANBO TECHNOLOGY CO., LTD

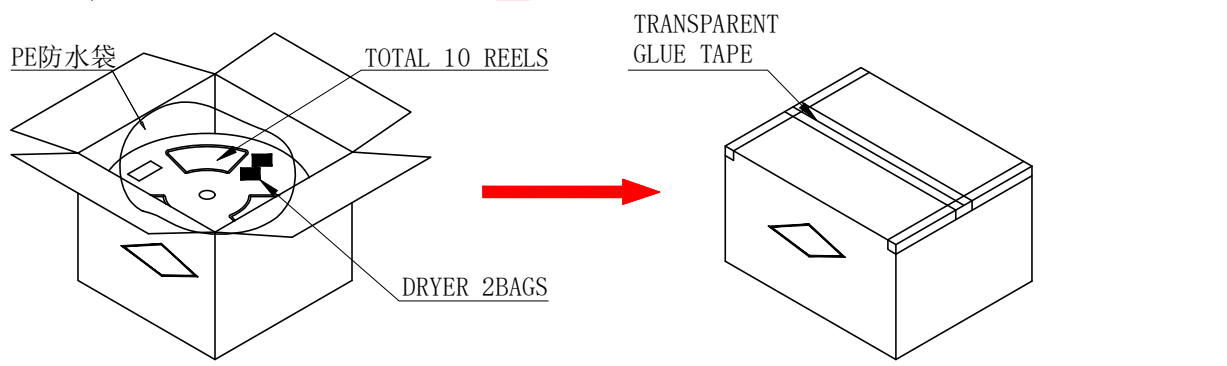
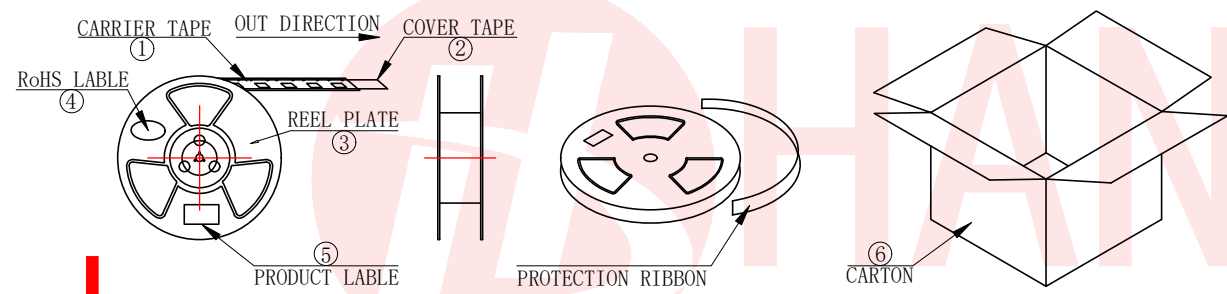
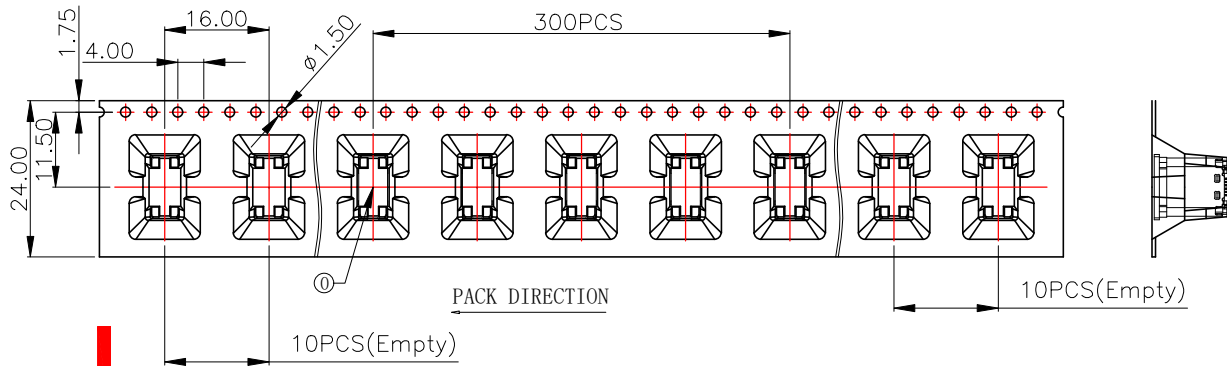
DECIMALS: ANGLES:
X :±0.30 X :±2°
X.X :±0.20 X.X :±1°
X.XX :±0.10

TITLE	TYPE C 16PIN 立贴式母座H9.3			
DWN	xiong	PART NO. MC-1018LS-H93		
CHKD	lee	SCALE:1:1	UNIT: mm	
APVD	wang	SIZE: A4	SHEET:10F 1	REV: A4

CUSTOMER COPY



5		6	
REV.	ECN NO OR DESCRIPTION	REVISED	DATE



说明:

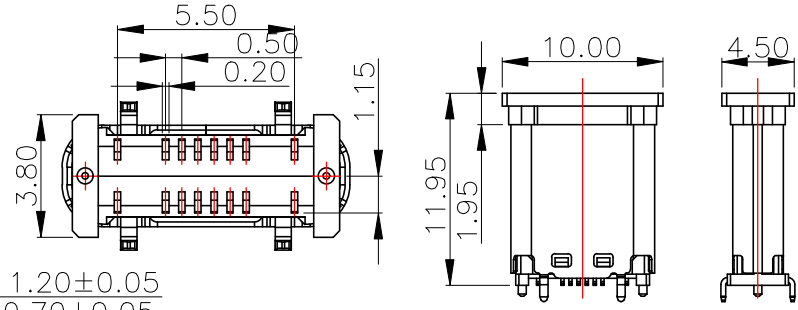
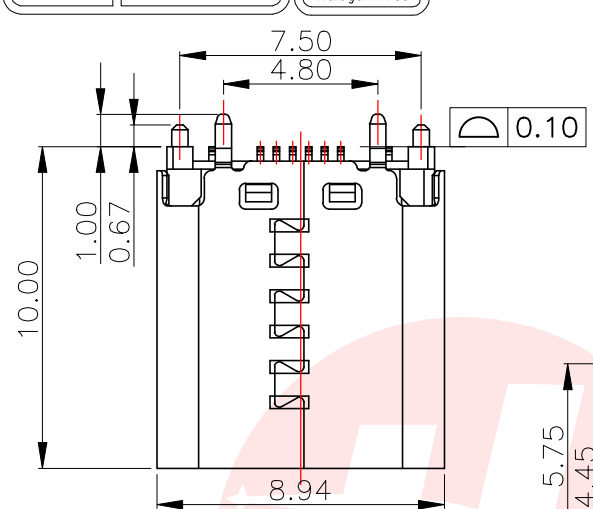
1. 每卷前后各空10PCS, 尾部用美纹胶纸封住;
2. 将产品放满盘后, 再卷一圈保护带, 用美纹胶纸将其封住, 并贴上1Pcs物料标签;
3. 每10卷盘一叠共3000Pcs并装入1个外箱内;
4. 在搬运过程中要轻拿轻放;
5. 在运输中不可堆放过多(1.8M最高), 不可重压;
6. 跌落测试条件:
成品箱从1.2米高度自由落体(一角三棱六面):
a. 产品不可跑出下带凹槽;
b. 产品不可有摔伤, 变形;
c. 内包装材料不可严重破损.

NO.	NAME	SPEC	Q' TY
①	TYPE C RECEPTACLE		3000PCS/CARTON
②	CARRIER TAPE	W=24mm, T=0.50mm	300PCS/PLATE
③	COVER TAPE	W=21.3mm	10PLATES/CARTON
④	REEL PLATE	330*100*24.4mm	10PCS/CARTON
⑤	RoHS LABEL		10PCS/CARTON
⑥	PRODUCT LABELER		10PCS/CARTON
⑦	CARTON	350*340*310mm	1PCS/PACKAGE

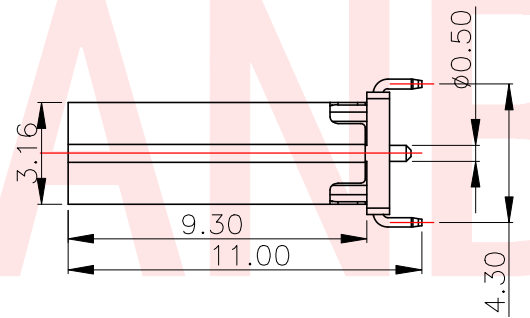
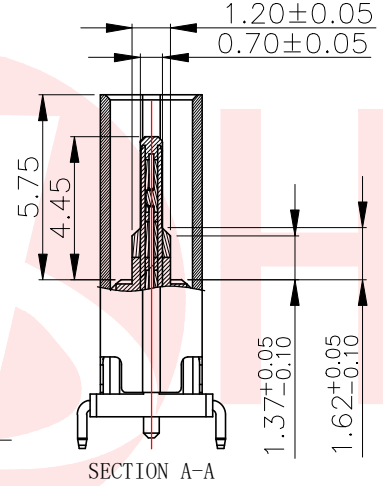
UNLESS OTHERWISE SPECIFIED TOLERANCES		东莞市汉博电子科技有限公司 DONGGUAN HANBO TECHNOLOGY CO., LTD		
DECIMALS:	ANGLES:	TITLE TYPE C 16PIN 立贴式母座H9.3		
X :±0.30	X :±2°	DWN	xiong	PART NO. MC-1018LS-H93
X.X :±0.20	X.X :±1°	CHKD	lee	SCALE:1:1 UNIT: mm
X.XX :±0.10		APVD	wang	SIZE: A4 SHEET:10F 1 REV: A4
CUSTOMER COPY				



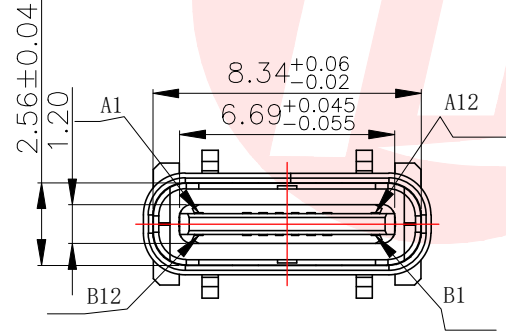
REV.	ECN NO OR DESCRIPTION	REVISED	DATE



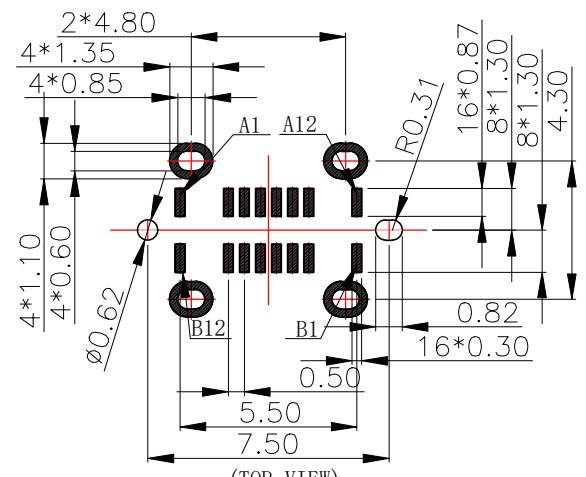
VIEW WITH CAP
(SCALE 1:2)



- SPECIFICATION:**
- MATERIAL & FINISH:**SEE THE LIST;
 - PLATING SPECIFICATION:**
 - CONTACTS:**
Ni 50u" MIN. UNDER PLATED OVER ALL.
Au PLATED ON THE MATING AREA OF CONTACT.
 - SHELL:**Ni 30u" MIN. UNDER PLATED OVER ALL.
 - MID PLATE:**CLEAR ONLY
 - MECHANICAL:**
 - MATING FORCE:**0.5~2.0kgf;
 - UNMATING FORCE:**0.8~2.0kgf.
0.6~2.0kgf AFTER DURABILITY TEST;
 - DURABILITY:**10000 CYCLES;
 - ELECTRICAL:**
 - CURRENT RATING:**5A Max;
 - VOLTAGE RATING:**20V Max;
 - DIELECTRIC WITHSTANDING VOLTAGE:**100Vac;
 - CONTACT RESISTANCE:**40mΩ Ohms Max. ;
 - INSULATION RESISTANCE:**100M Ohms Min. ;
 - ENVIRONMENTAL:**
 - OPERATING TEMPERATURE:**-40° C~+85° C;
 - WETTING TEMPERATURE:**265±5° C, 5±0.5s
 - Salt Spray Test:**48H Min



A1	A2	A3	A4	A5	A6	A7	A8	A9	A10	A11	A12
GND			VBUS	CC1	D+	D-	SBU1	VBUS			GND
A12	B11	B10	B9	B8	B7	B6	B5	B4	B3	B2	B1
GND			VBUS	SBU2	D-	D+	CC2	VBUS			GND



(TOP VIEW)
RECOMMENDED P.C.B. LAYOUT (T:0.8mm)
TOLERANCE UNSPECIFIED ±0.05mm

NO.	PART NAME	Q' TY	MATERIAL	FINISH
5	CAP	1	High temperature plastic	UL94 V-0, Black
4	Shell	1	Stainless Steel, T=0.30mm	30u"Ni Min.
3	GroundBar	1	Stainless Steel, T=0.15mm	No Plating
2	Contact	16	Copper Alloy, T=0.15mm	Au/Ni-Plated
1	Housing	1	High temperature plastic	UL94 V-0, Black

UNLESS OTHERWISE SPECIFIED TOLERANCES

DECIMALS: X :±0.30 X.X :±0.20 X.XX :±0.10

ANGLES: X :±2° X.X :±1°

东莞市汉博电子科技有限公司
DONGGUAN HANBO TECHNOLOGY CO., LTD

TITLE: TYPE C 16PIN 立贴式母座H10.0

DWN xiong PART NO. MC-1018LS-H100

CHKD lee SCALE:1:1 UNIT: mm

APVD wang SIZE: A4 SHEET:10F 1 REV: A4

CUSTOMER COPY

A

B

C

D

A

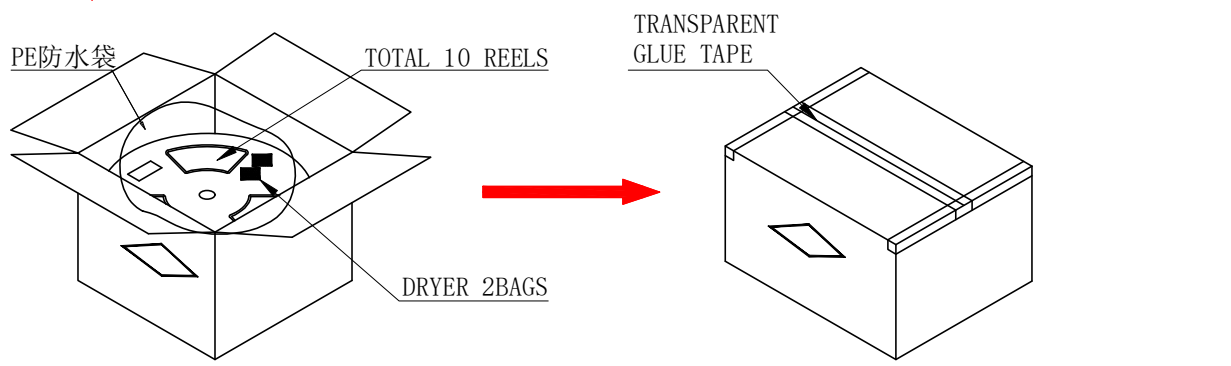
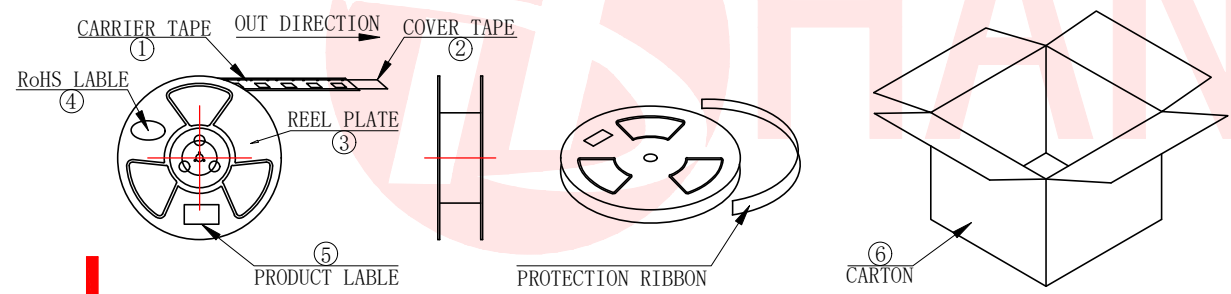
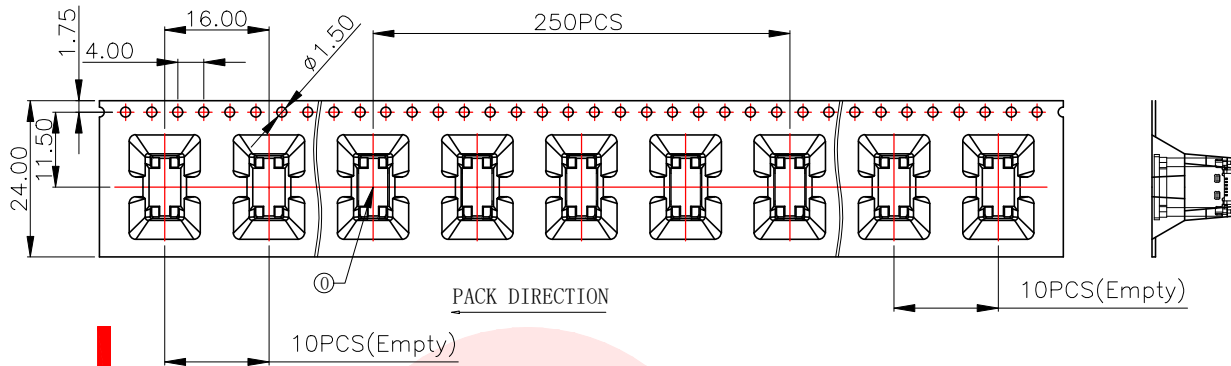
B

C

D



REV.	ECN NO OR DESCRIPTION	REVISED	DATE



说明:

1. 每卷前后各空10PCS, 尾部用美纹胶纸封住;
2. 将产品放满盘后, 再卷一圈保护带, 用美纹胶纸将其封住, 并贴上1Pcs物料标签;
3. 每10卷盘一叠共2500Pcs并装入1个外箱内;
4. 在搬运过程中要轻拿轻放;
5. 在运输中不可堆放过多(1.8M最高), 不可重压;
6. 跌落测试条件:
成品箱从1.2米高度自由落体(一角三棱六面):
a. 产品不可跑出下带凹槽;
b. 产品不可有摔伤, 变形;
c. 内包装材料不可严重破损.

NO.	NAME	SPEC	Q' TY
①	TYPE C RECEPTACLE		2500PCS/CARTON
②	CARRIER TAPE	W=24mm, T=0.50mm	250PCS/PLATE
③	COVER TAPE	W=21.3mm	10PLATES/CARTON
④	REEL PLATE	330*100*24.4mm	10PCS/CARTON
⑤	RoHS LABEL		10PCS/CARTON
⑥	PRODUCT LABELER		10PCS/CARTON
⑦	CARTON	350*340*310mm	1PCS/PACKAGE

UNLESS OTHERWISE SPECIFIED TOLERANCES

DECIMALS: X :±0.30 X.X :±0.20 X.XX :±0.10

ANGLES: X :±2° X.X :±1°

东莞市汉博电子科技有限公司
DONGGUAN HANBO TECHNOLOGY CO., LTD

TITLE: TYPE C 16PIN 立贴式母座H10.0

DWN	xiong	PART NO.	MC-1018LS-H100
CHKD	lee	SCALE: 1:1	UNIT: mm
APVD	wang	SIZE: A4	SHEET: 10F 1

CUSTOMER COPY

A

B

C

D

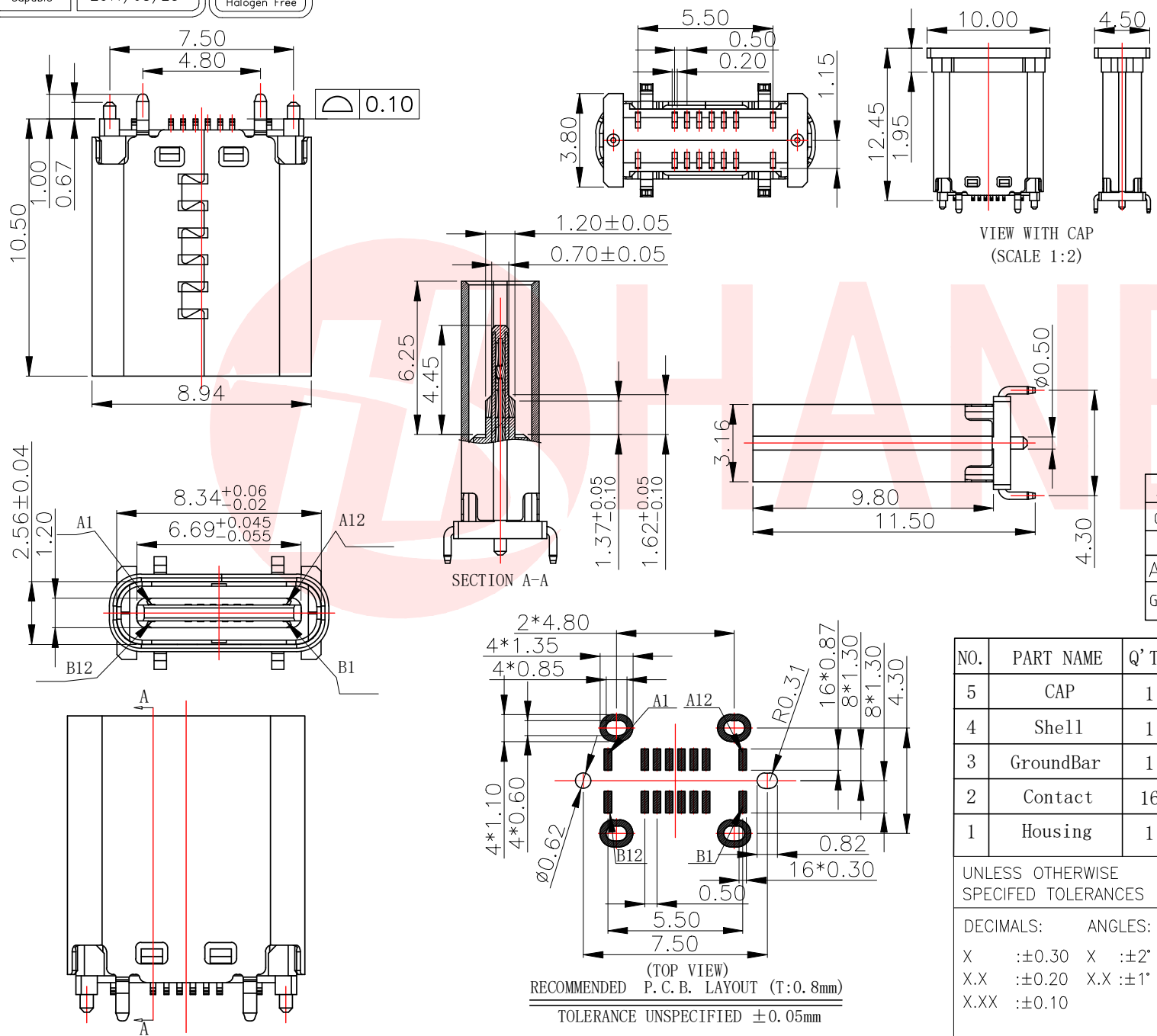
A

B

C



REV.	ECN NO OR DESCRIPTION	REVISED	DATE



SPECIFICATION:

- MATERIAL & FINISH:**SEE THE LIST;
- PLATING SPECIFICATION:**
 - CONTACTS:**
Ni 50u" MIN. UNDER PLATED OVER ALL.
Au PLATED ON THE MATING AREA OF CONTACT.
Au PLATED ON THE SOLDER AREA.
 - SHELL:**Ni 30u" MIN. UNDER PLATED OVER ALL.
 - MID PLATE:**CLEAR ONLY
- MECHANICAL:**
 - MATING FORCE:**0.5~2.0kgf;
 - UNMATING FORCE:**0.8~2.0kgf.
0.6~2.0kgf AFTER DURABILITY TEST;
 - DURABILITY:**10000 CYCLES;
- ELECTRICAL:**
 - CURRENT RATING:**5A Max;
 - VOLTAGE RATING:**20V Max;
 - DIELECTRIC WITHSTANDING VOLTAGE:**100VAc;
 - CONTACT RESISTANCE:**40mΩ Ohms Max. ;
 - INSULATION RESISTANCE:**100M Ohms Min. ;
- ENVIRONMENTAL:**
 - OPERATING TEMPERATURE:**-40° C~+85° C;
 - WETTING TEMPERATURE:**265±5° C, 5±0.5s
 - Salt Spray Test:**48H Min

A1	A2	A3	A4	A5	A6	A7	A8	A9	A10	A11	A12
GND			VBUS	CC1	D+	D-	SBU1	VBUS			GND
A12	B11	B10	B9	B8	B7	B6	B5	B4	B3	B2	B1
GND			VBUS	SBU2	D-	D+	CC2	VBUS			GND

NO.	PART NAME	Q' TY	MATERIAL	FINISH
5	CAP	1	High temperature plastic	UL94 V-0, Black
4	Shell	1	Stainless Steel, T=0.30mm	30u"Ni Min.
3	GroundBar	1	Stainless Steel, T=0.15mm	No Plating
2	Contact	16	Copper Alloy, T=0.15mm	Au/Ni-Plated
1	Housing	1	High temperature plastic	UL94 V-0, Black

UNLESS OTHERWISE SPECIFIED TOLERANCES

东莞市汉博电子科技有限公司
DONGGUAN HANBO TECHNOLOGY CO., LTD

DECIMALS: ANGLES:
X :±0.30 X :±2°
X.X :±0.20 X.X :±1°
X.XX :±0.10

TITLE	TYPE C 16PIN 立贴式母座H10.5		
DWN	xiong	PART NO. MC-1018LS-H105	
CHKD	lee	SCALE:1:1	UNIT: mm
APVD	wang	SIZE: A4	SHEET:1OF 1

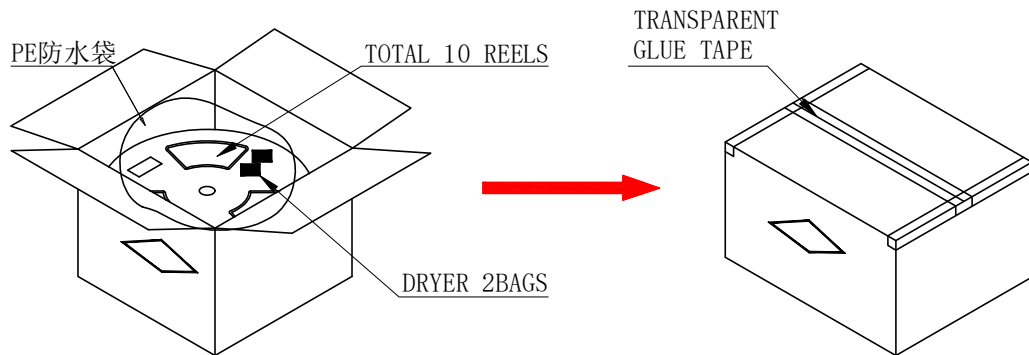
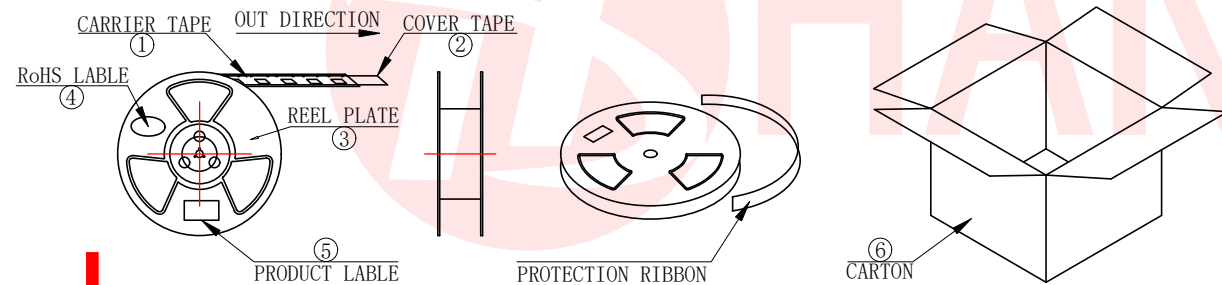
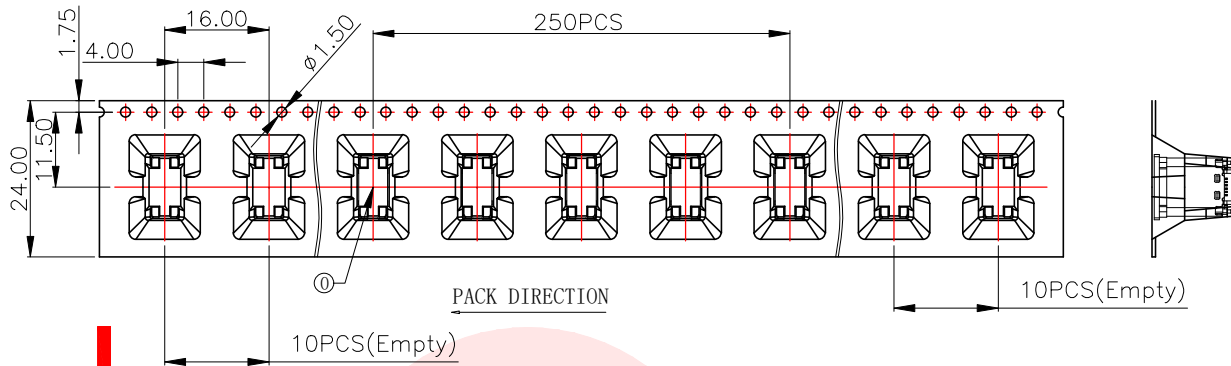
CUSTOMER COPY

A
B
C
D

A
B
C



REV.	ECN NO OR DESCRIPTION	REVISED	DATE



说明:

1. 每卷前后各空10PCS, 尾部用美纹胶纸封住;
2. 将产品放满盘后, 再卷一圈保护带, 用美纹胶纸将其封住, 并贴上1Pcs物料标签;
3. 每10卷盘一叠共2500Pcs并装入1个外箱内;
4. 在搬运过程中要轻拿轻放;
5. 在运输中不可堆放过多(1.8M最高), 不可重压;
6. 跌落测试条件:
成品箱从1.2米高度自由落体(一角三棱六面):
a. 产品不可跑出下带凹槽;
b. 产品不可有摔伤, 变形;
c. 内包装材料不可严重破损.

NO.	NAME	SPEC	Q' TY
①	TYPE C RECEPTACLE		2500PCS/CARTON
②	CARRIER TAPE	W=24mm, T=0.50mm	250PCS/PLATE
③	COVER TAPE	W=21.3mm	10PLATES/CARTON
④	REEL PLATE	330*100*24.4mm	10PCS/CARTON
⑤	RoHS LABEL		10PCS/CARTON
⑥	PRODUCT LABELER		10PCS/CARTON
⑦	CARTON	350*340*310mm	1PCS/PACKAGE

UNLESS OTHERWISE SPECIFIED TOLERANCES



东莞市汉博电子科技有限公司
DONGGUAN HANBO TECHNOLOGY CO., LTD

DECIMALS: ANGLES:
X :±0.30 X :±2°
X.X :±0.20 X.X :±1°
X.XX :±0.10

TITLE	TYPE C 16PIN 立贴式母座H10.5		
DWN	xiong	PART NO.	MC-1018LS-H105
CHKD	lee	SCALE:1:1	UNIT: mm
APVD	wang	SIZE: A4	SHEET:10F 1
			REV: A4

CUSTOMER COPY

X-ON Electronics

Largest Supplier of Electrical and Electronic Components

Click to view similar products for [USB Connectors](#) category:

Click to view products by [Hanbo Electronic](#) manufacturer:

Other Similar products are found below :

[950](#) [MUSBD11135](#) [17-200721](#) [217450-1](#) [KMBVX-TH-5S-B30](#) [KUSBX-AS2N-W](#) [KUSBX-SMT2AP1S-W30](#) [935](#) [957](#) [30-498-6](#) [SK-60A-2](#)
[1734082-1](#) [30-470](#) [30-489](#) [30-541](#) [A-USB A-2P-C](#) [MIKROE-1451](#) [USBFTVSCCG](#) [1-1734084-2](#) [10135326-001LF](#) [4198](#) [USB-A-D-VT](#)
[USB-A-S-RA-TSMT](#) [1310-1023-02](#) [690-024-633-031](#) [UB-20PMFP-LC7001](#) [17-200011](#) [UB-20AFMM-LL7A01](#) [1040870124](#) [CAP-](#)
[WCCMLPB1](#) [CAP-WCCMLPC1](#) [2274475-3](#) [UB-20BMFA-SL8001](#) [914-614A2025S10200](#) [USB3FTV7SAGF059](#) [ZX40-B-5S-1500-](#)
[STDA\(30\)](#) [GSB3116344HR](#) [USB3FTV2SAZNF459](#) [USB3FTV7SAZNF459](#) [U221-041N-1WVS62-F5D](#) [HYCW153-USBD05-500B](#)
[HYCW219-USBD05-075B](#) [HYCW148-USBD05-117B](#) [HYCW149-USBD05-740B](#) [HYCW204-USBD05-108B](#) [HYCW214-USBA04-113B](#)
[HYCW213-USBA04-113B](#) [UB-20AMFM-SL7A01](#) [KMMX-BSMT35S-1-B30TR](#) [2345986-1](#)