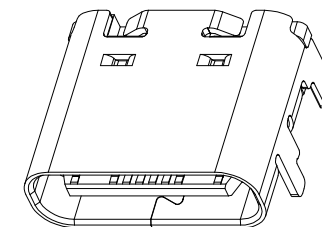
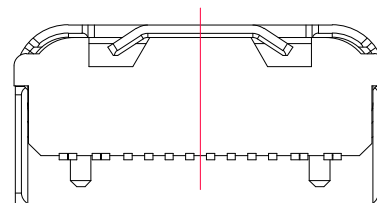
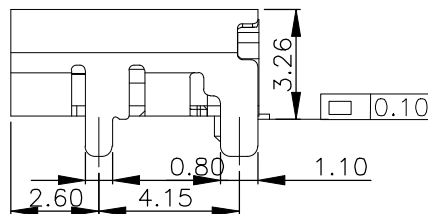
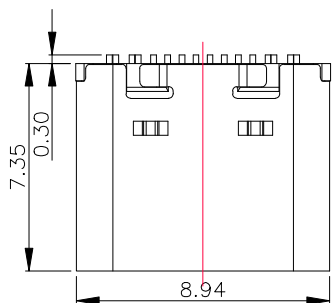




REV.	ECN NO OR DESCRIPTION	REVISED	DATE

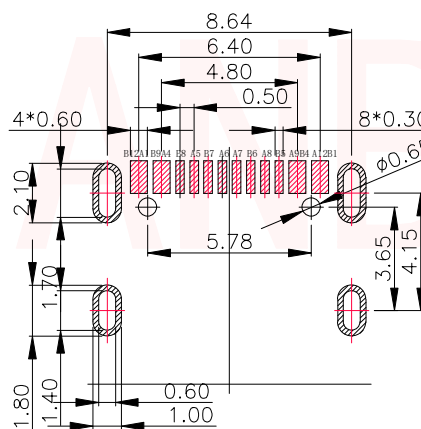
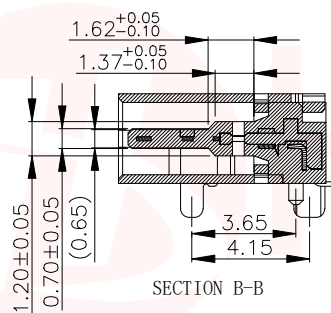
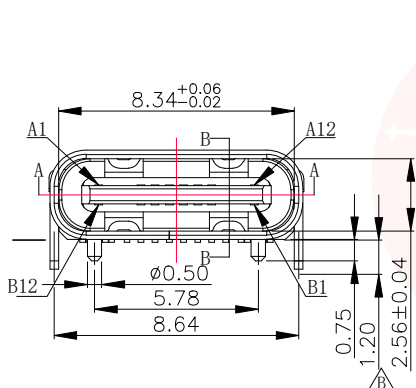


3D View



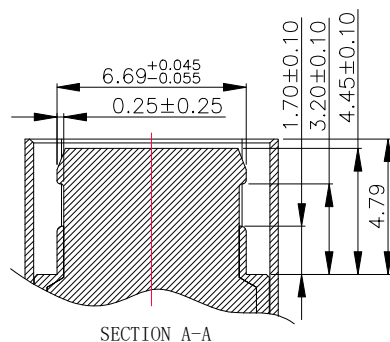
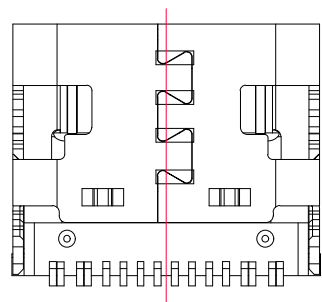
SPECIFICATION:

- Material:  
HOUSING&MOLDING:LCP,UL94 V-0  
CONTACTS:COPPER ALLOY T=0.20mm  
MIDDLE CLIP:SUS301-1/2H,T=0.15mm  
SHELL:SUS, T=0.30mm
- Mechanical:  
2.1.Mating force:5~20Nf Max.;  
2.2.Unmating force:6~20Nf Min.;  
2.3.Durability:10000 Cycles;
- Electrical:  
3.1.Current Rating:3A Max.;  
3.2.Voltage Rating:20V Max.;  
3.3.Dielectric Withstanding voltage:100VAc;  
3.4.Contact resistance:40m Ohms Max.;  
3.5.Insulation Resistance:100M Ohms Min.;
- Environmental:  
4.1.Operating temperature:-40°C~+85°C;  
4.2.Wetting Temperature:265±5°C,5±0.5s



(TOP VIEW)  
RECOMMENDED P.C.B. LAYOUT (T:1.0~1.2mm)  
TOLERANCE UNSPECIFIED ±0.05mm

PIN DEFINE TABLE			
PIN	SIGNAL	PIN	SIGNAL
A12	GND	B1	GND
A11		B2	
A10		B3	
A9	VBUS	B4	VBUS
A8	SBU1	B5	CC2
A7	D-	B6	D+
A6	D+	B7	D-
A5	CC1	B8	SBU2
A4	VBUS	B9	VBUS
A3		B10	
A2		B11	
A1	GND	B12	GND



UNLESS OTHERWISE SPECIFIED TOLERANCES

DECIMALS:	ANGLES:
X :±0.50	.X° :±3.0°
.X :±0.35	.XX° :±2.5°
.XX :±0.25	.XXX° :±2.0°
.XXX :±0.15	

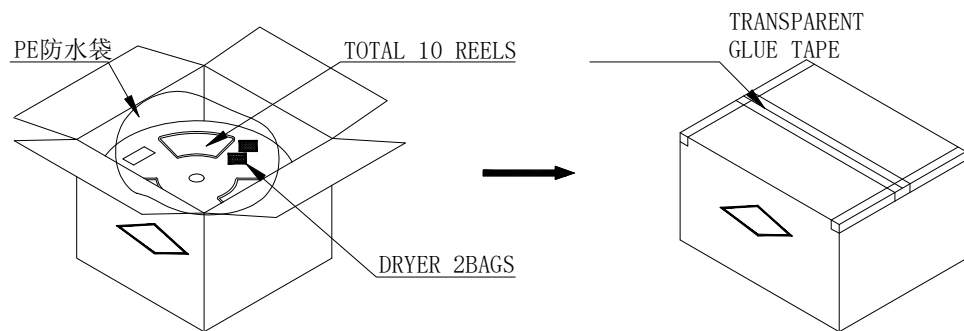
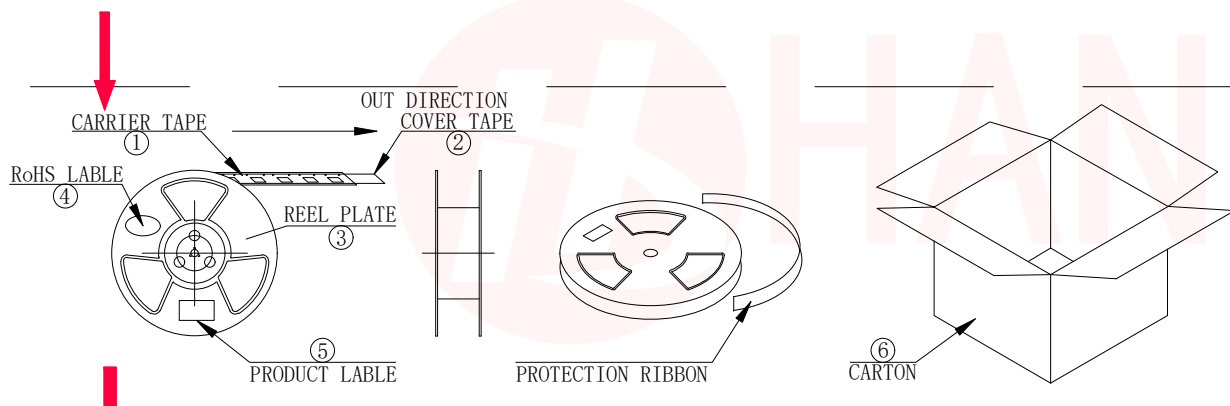
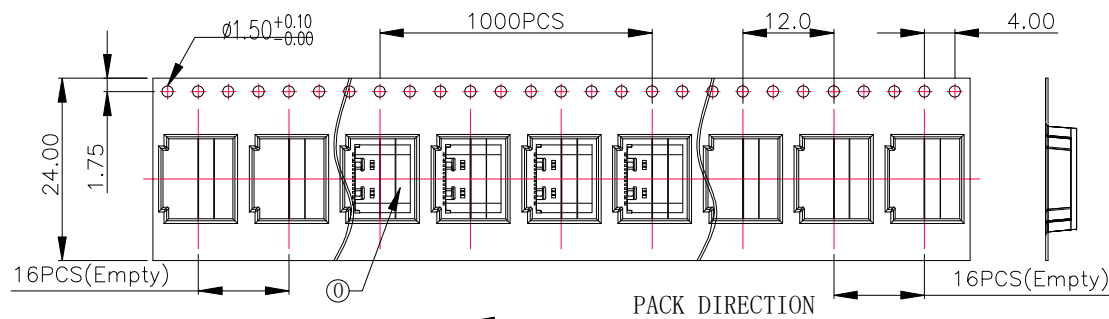


东莞市汉博电子科技有限公司  
DONGGUAN HANBO TECHNOLOGY CO., LTD

TITLE	TYPE C 16PIN 母座上型四脚插件L=7.35mm		
DWN	xiong	PART NO. MC-107D	
CHKD	lee	SCALE:1:1	UNIT: mm
APVD	wang	SIZE: A4	SHEET:10F 1
REV: A4			
CUSTOMER COPY			



REV.	ECN NO OR DESCRIPTION	REVISED	DATE



说明:

- 每卷前后各空16PCS, 尾部用美纹胶纸封住;
- 将产品放满盘后, 再卷一圈保护带, 用美纹胶纸将其封住, 并贴上1Pcs物料标签;
- 每卷1000一箱10卷盘共10000Pcs并装入1个外箱内;
- 在搬运过程中要轻拿轻放;
- 在运输中不可堆放过多(1.8M最高), 不可重压;
- 跌落测试条件:  
成品箱从1.2米高度自由落体(一角三棱六面):
  - 产品不可跑出下带凹槽;
  - 产品不可有摔伤, 变形;
  - 内包装材料不可严重破损.

NO.	NAME	SPEC	Q' TY
①	TYPE C RECEPTACLE		10000PCS/CARTON
①	CARRIER TAPE	W=24mm, T=0.35mm	1000PCS/PLATE
②	COVER TAPE	W=21.5mm	10PLATES/CARTON
③	REEL PLATE	330*100*24.4mm	10PCS/CARTON
④	RoHS LABEL		10PCS/CARTON
⑤	PRODUCT LABELER		10PCS/CARTON
⑥	CARTON	350*340*310mm	1PCS/PACKAGE

UNLESS OTHERWISE SPECIFIED TOLERANCES

东莞市汉博电子科技有限公司  
DONGGUAN HANBO TECHNOLOGY CO., LTD

DECIMALS:	ANGLES:	TITLE	TYPE C 16PIN 母座板上型四脚插件L=7.35mm-包装图		
X :±0.50	.X° :±3.0°	DWN	xiong	PART NO. MC-107D	
.X :±0.35	.XX° :±2.5°	CHKD	lee	SCALE:1:1	UNIT: mm
.XX :±0.25	.XXX° :±2.0°	APVD	wang	SIZE: A4	SHEET:10F 1
.XXX :±0.15					REV: A4

CUSTOMER COPY

## X-ON Electronics

Largest Supplier of Electrical and Electronic Components

*Click to view similar products for [USB Connectors](#) category:*

*Click to view products by [Hanbo Electronic](#) manufacturer:*

Other Similar products are found below :

[950](#) [A-USB B-TOP-C](#) [MUSBA511N5](#) [MUSBC111M5](#) [MUSBD11135](#) [17-200721](#) [217450-1](#) [KMBVX-TH-5S-B30](#) [896-30-004-00-000000](#)  
[KUSBX-AS2N-W](#) [KUSBX-SMT2AP1S-W30](#) [935](#) [957](#) [30-498-6](#) [SK-60A-2](#) [1734082-1](#) [30-1574](#) [30-470](#) [30-489](#) [30-541](#) [A-USB A-2P-C](#)  
[MIKROE-1451](#) [USBFTV2PEM2G](#) [USBFTVSCCG](#) [4689-1](#) [1-1734084-2](#) [MUSBC11135](#) [USBF21ZNSCC](#) [USBBFTV6ZC](#) [MUSBB151341](#)  
[10135326-001LF](#) [M9177/3-1](#) [TJ-105](#) [USB-A-S-F-B-VT](#) [4198](#) [690-024-633-031](#) [UB-20PMFP-LC7001](#) [USBFTVC6MRG](#) [UA-20BMFA-](#)  
[SL8001](#) [17-200011](#) [USBFTVC7ZC](#) [UB-20AFMM-LL7A01](#) [USBFTVC2MN](#) [CAP-WCCMLPB1](#) [1310-1031-01](#) [2041386-1](#) [2274475-3](#) [UB-](#)  
[20BMFA-SL8001](#) [UB-20PMFP-SC8003](#) [914-614A2025S10200](#)