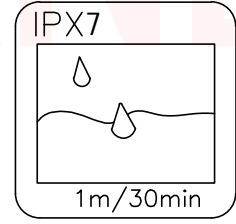
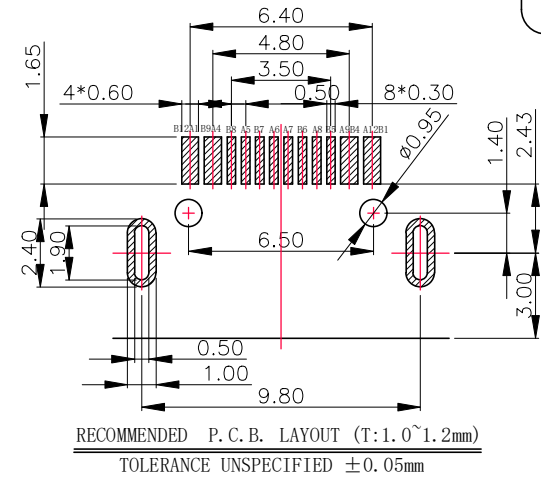
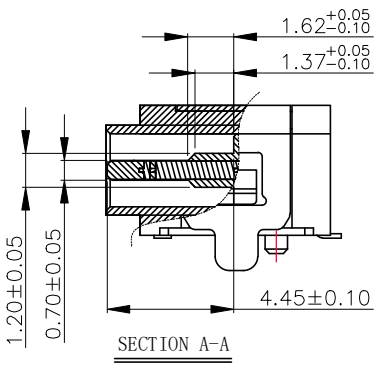
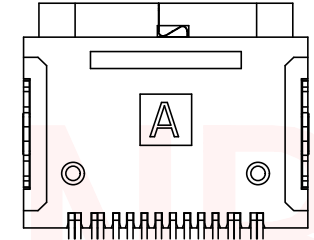
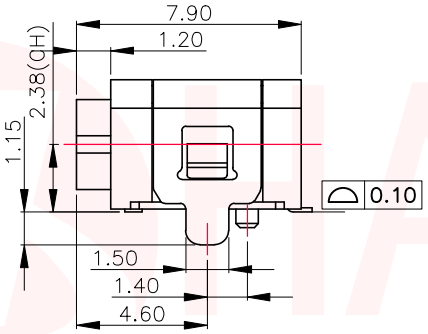
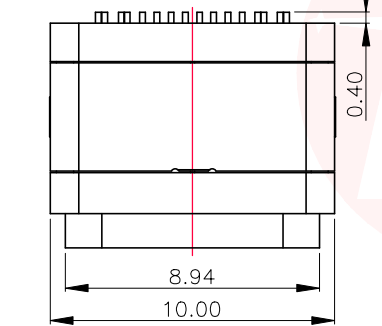
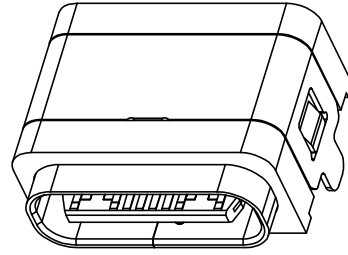
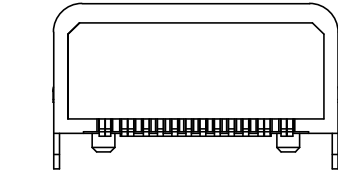
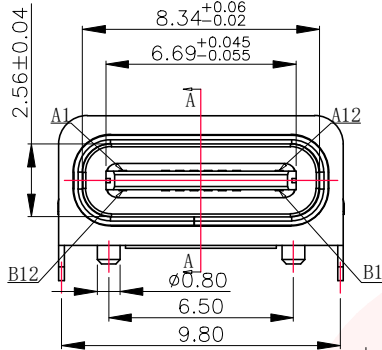
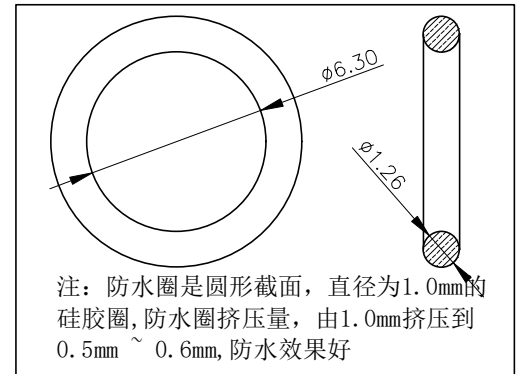




REV.	ECN NO OR DESCRIPTION	REVISED	DATE



PIN DEFINE TABLE			
PIN	SIGNAL	PIN	SIGNAL
A12	GND	B1	GND
A11		B2	
A10		B3	
A9	VBUS	B4	VBUS
A8	SBU1	B5	CC2
A7	D-	B6	D+
A6	D+	B7	D-
A5	CC1	B8	SBU2
A4	VBUS	B9	VBUS
A3		B10	
A2		B11	
A1	GND	B12	GND



SPECIFICATION:

1. Material:
 HOUSING&MOLDING:
 HIGH TEMPERATURE RESISTANT PLASTIC, UL94 V-0
 CONTACTS: COPPER ALLOY T=0.15mm
 IDLE CLIP: SUS301-1/2H, T=0.15mm
 SHELL-1: SUS304, T=0.30mm
 SHELL-2: SUS304, T=0.20mm

2. Mechanical:
 2.1. Mating force: 0.5~2.0kgf.
 2.2. UNMATING FORCE: 0.8~2.0kgf.
 0.6~2.0kgf AFTER DURABILITY TEST;
 2.3. Durability: 10000 Cycles;

3. Electrical:
 3.1. Current Rating: 3A Max.;
 3.2. Voltage Rating: 20V Max.;
 3.3. Dielectric Withstanding voltage: 100VAC;
 3.4. Contact resistance: 40m Ohms Max.;
 3.5. Insulation Resistance: 100M Ohms Min.;

4. Environmental:
 4.1. Operating temperature: -40°C~+85°C;
 4.2. Wetting Temperature: 265±5°C, 5±0.5s

UNLESS OTHERWISE SPECIFIED TOLERANCES

DECIMALS: X :±0.30 X.X :±0.20 X.XX :±0.10

ANGLES: X :±2° X.X :±1°

东莞市汉博电子科技有限公司
 DONGGUAN HANBO TECHNOLOGY CO., LTD

TITLE: TYPE-C 16PIN 防水母座板上型带塑胶柱

DWN xiong PART NO. MC-107FLD

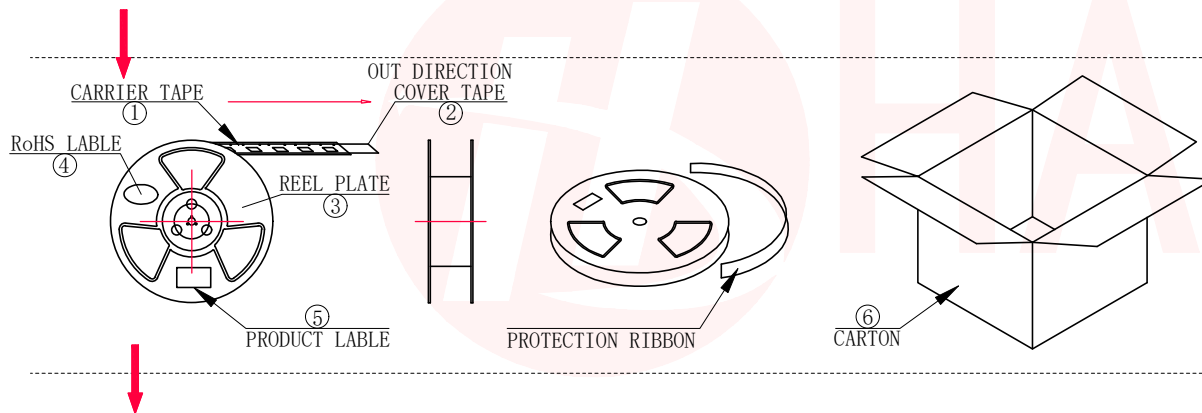
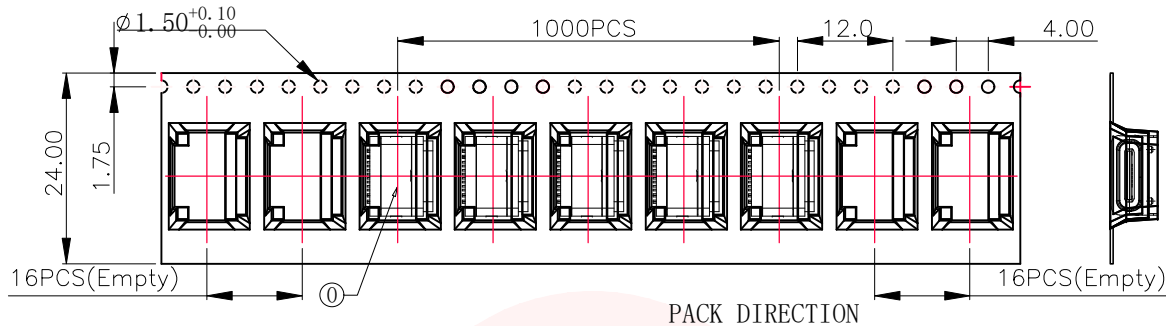
CHKD lee SCALE:1:1 UNIT: mm

APVD wang SIZE: A4 SHEET:1OF 1 REV: A4

CUSTOMER COPY



REV.	ECN NO OR DESCRIPTION	REVISED	DATE



说明:

1. 每卷前后各空16PCS, 尾部用美纹胶纸封住;
2. 将产品放满盘后, 再卷一圈保护带, 用美纹胶纸将其封住, 并贴上1Pcs物料标签;
3. 每10卷盘一叠共10000Pcs并装入1个外箱内;
4. 在搬运过程中要轻拿轻放;
5. 在运输中不可堆放过多(1.8M最高), 不可重压;
6. 跌落测试条件:
成品箱从1.2米高度自由落体(一角三棱六面):
a. 产品不可跑出下带凹槽;
b. 产品不可有摔伤, 变形;
c. 内包装材料不可严重破损.

NO.	NAME	SPEC	Q' TY
①	TYPE C RECEPTACLE		10000PCS/CARTON
①	CARRIER TAPE	W=24mm, T=0.35mm	1000PCS/PLATE
②	COVER TAPE	W=21.5mm	10PLATES/CARTON
③	REEL PLATE	330*100*24.4mm	10PCS/CARTON
④	RoHS LABEL		10PCS/CARTON
⑤	PRODUCT LABELER		10PCS/CARTON
⑥	CARTON	350*340*310mm	1PCS/PACKAGE

UNLESS OTHERWISE SPECIFIED TOLERANCES

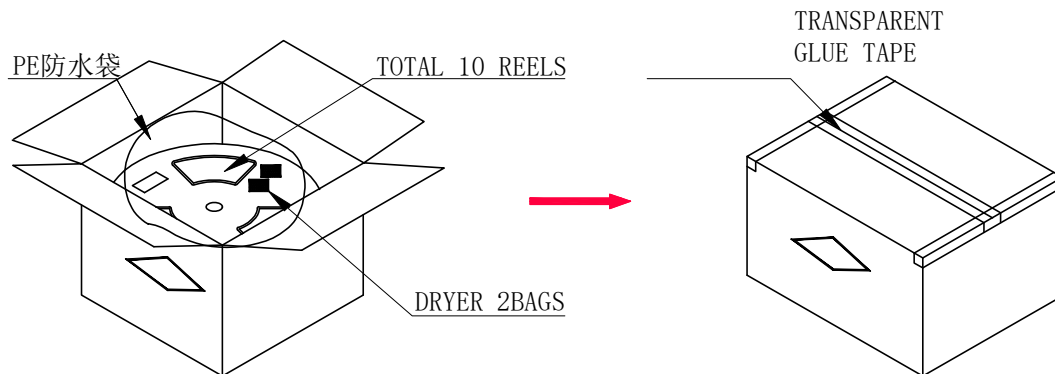


东莞市汉博电子科技有限公司
DONGGUAN HANBO TECHNOLOGY CO., LTD

DECIMALS: ANGLES:
X :±0.30 X :±2°
X.X :±0.20 X.X :±1°
X.XX :±0.10

TITLE	TYPE-C 16PIN 防水母座板上型-包装示意图			
DWN	xiong	PART NO.	MC-107FLD	
CHKD	lee	SCALE:1:1	UNIT: mm	
APVD	wang	SIZE: A4	SHEET:1OF 1	REV: A4

CUSTOMER COPY



X-ON Electronics

Largest Supplier of Electrical and Electronic Components

Click to view similar products for [USB Connectors](#) category:

Click to view products by [Hanbo Electronic](#) manufacturer:

Other Similar products are found below :

[950](#) [A-USB A-LP-SMT-C](#) [A-USB B-TOP-C](#) [MUSBD11135](#) [17-200721](#) [217450-1](#) [KMBVX-TH-5S-B30](#) [KUSBX-AS2N-W](#) [KUSBX-SMT2AP1S-W30](#) [935](#) [957](#) [30-498-6](#) [SK-60A-2](#) [1734082-1](#) [30-470](#) [30-489](#) [30-541](#) [MAB 5 S](#) [A-USB A-2P-C](#) [MIKROE-1451](#)
[USBFTVSCCG](#) [1-1734084-2](#) [MUSBA81130](#) [NK-27-32SL](#) [NK-L8-22C-5/8](#) [10135326-001LF](#) [4198](#) [690-024-633-031](#) [UB-20PMFP-LC7001](#)
[17-200011](#) [UB-20AFMM-LL7A01](#) [CAP-WCCMLPB1](#) [CAP-WCCMLPC1](#) [2274475-3](#) [914-614A2025S10200](#) [USB3FTV7SAGF059](#)
[USB3FTV2SAZNF459](#) [USB3FTV7SAZNF459](#) [HYCW153-USBD05-500B](#) [HYCW219-USBD05-075B](#) [HYCW148-USBD05-117B](#)
[HYCW149-USBD05-740B](#) [HYCW204-USBD05-108B](#) [HYCW214-USBA04-113B](#) [HYCW213-USBA04-113B](#) [KMMX-BSMT35S-1-B30TR](#)
[2345986-1](#) [10082141-N340LF](#) [10117836-011LF](#) [GSB3C3133DSYHR](#)