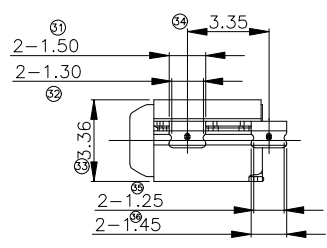
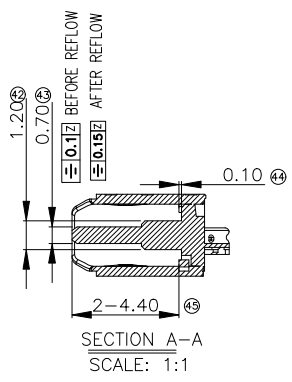
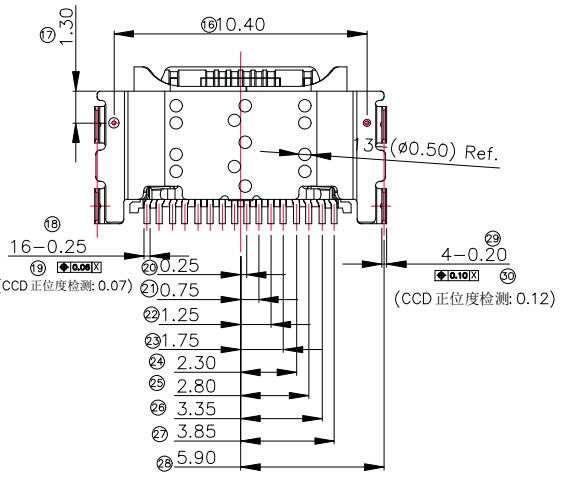
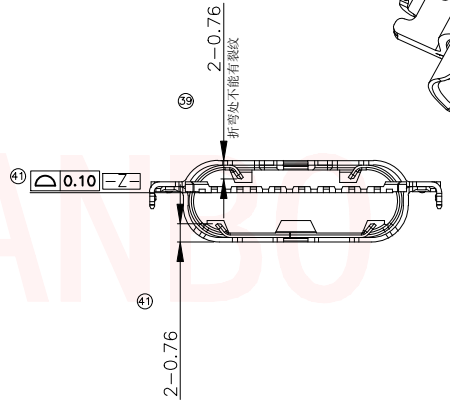
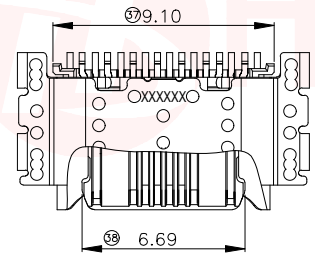
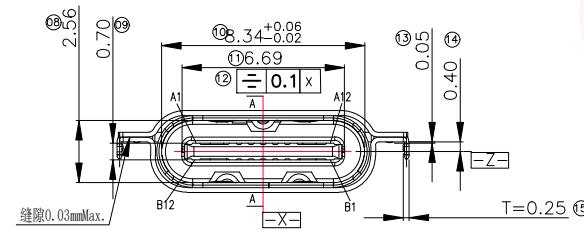
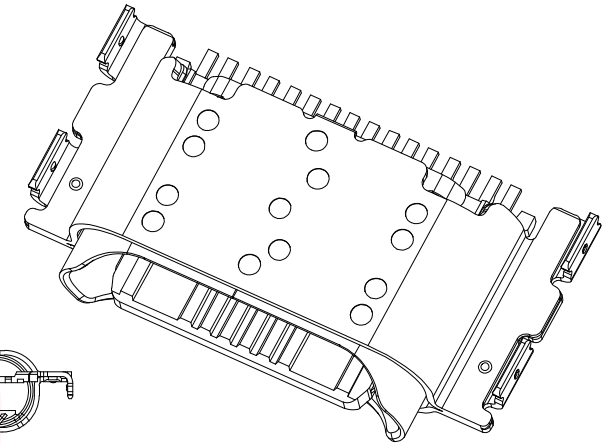
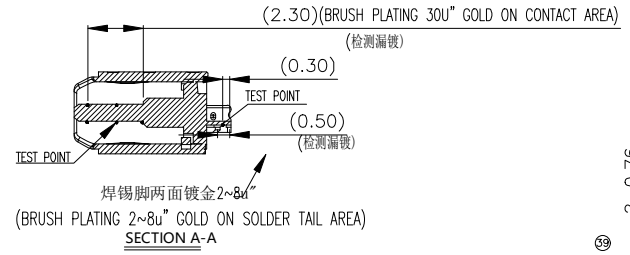
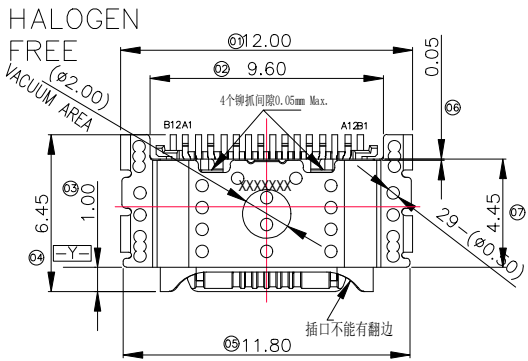




REV.	ECN NO OR DESCRIPTION	REVISED	DATE

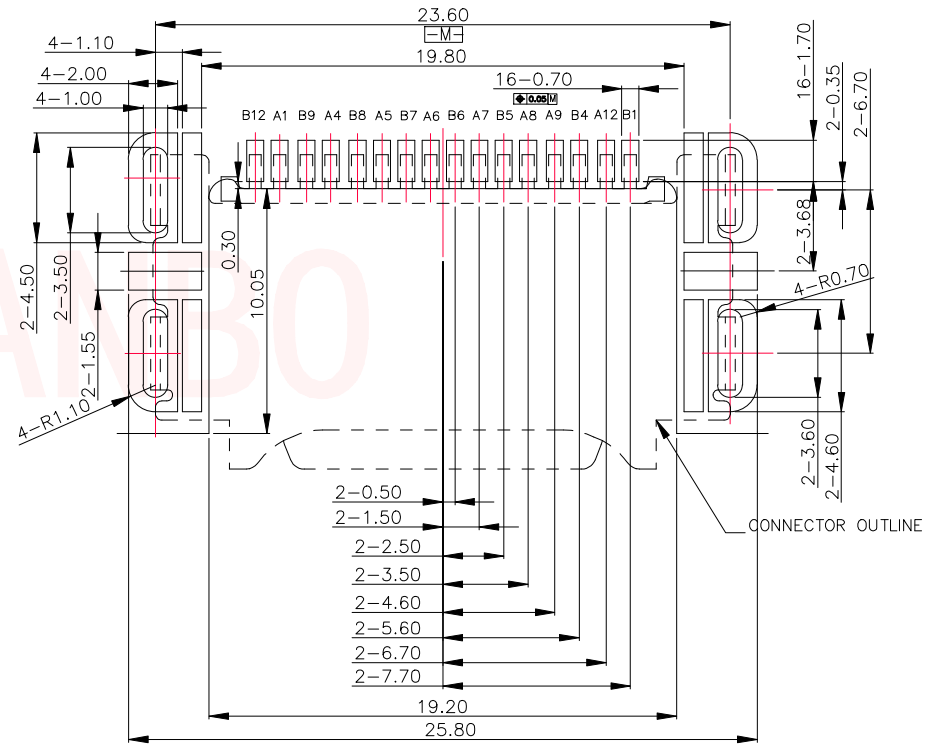
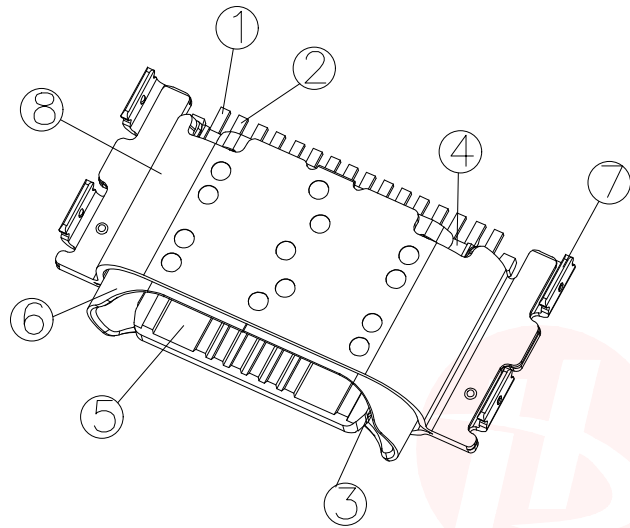


- NOTES:
- ELECTRICAL CHARACTERISTICS:
 - CURRENT RATING: VBUS AND GND CONTACTS RATED AT 2.5A MAX., PARALLELED FOR A TOTAL OF 7.5A MAX.
 - TEMPERATURE RANGE: -40 °C ~ 85 °C
 - CONTACT RESISTANCE: 30 MILLIONHM MAX.
 - DIELECTRIC WITHSTANDING VOLTAGE: 500 VAC r.m.s
 - INSULATION RESISTANCE: 100 MEGOHMS MIN.
 - MECHANICAL CHARACTERISTICS
 - INSERTION FORCE: 5~20N
 - EXTRACTION FORCE: INITIAL:8~20N;
DURABILITY:8~20N(1000CYCLES), 6~20N(10000CYCLES);
 - DURABILITY:10, 000CYCLES.
 - PLUG垂直顶塑胶(避开铁壳止挡位), 顶出力量14kgf Min., 垂直项插口止挡位, 顶出力量20kgf Min.
 - 上下壳焊接后剥离强度50kgf Min.
 - ENVIRONMENTAL SUBSTANCE CONTROL SHOULD COMPLY WITH FAF JH-GP-213'S SPECIFICATION;
 - HOUSING FLASH: 0.10 MM MAX, METAL BURR:0.05 MM MAX.

UNLESS OTHERWISE SPECIFIED TOLERANCES		东莞市汉博电子科技有限公司 DONGGUAN HANBO TECHNOLOGY CO., LTD		
DECIMALS:	ANGLES:	TITLE	USB TYPE C 16PIN SMT TYPE WITH NOTCH L6.45	
X :±0.30	X :±2°	DWN	xiong	PART NO. MC-116
X.X :±0.20	X.X :±1°	CHKD	lee	SCALE:1:1 UNIT: mm
X.XX :±0.10		APVD	wang	SIZE: A4 SHEET:10F 1 REV: A4
CUSTOMER COPY				



REV.	ECN NO OR DESCRIPTION	REVISED	DATE



PART NOTES:

8	BOTTOM SHELL	1	SUS301-H	1.Ni 50u* Min OVERALL; 2.SOLDER AREA: 1~3u*Au PALTING
7	TOP SHELL	1	SUS301-H	
6	MAIN MOLDING	1	SUS301-H	
5	SECOND MOLDING	1	PA46 HFX33S	BLACK UL94 V-0
4	FIRST MOLDING	1	PA46 HFX33S	BLACK UL94 V-0
3	SHIELDING PLATE	1	SUS301-H	NO PLATING
2	BOTTOM CONTACT	1	C18400-R540	1.Ni 50u* Min OVERALL; 2.CONTACT AREA: Au 30u* Min. ON CONTACT SURFACE; 3.SOLDER AREA: Au 2u* Min.WITH SPOT PLATING(DOUBLE FACE)
1	TOP CONTACT	1	C18400-R540	
ITEM	PART NAME	Q'TY	MATERIAL	FINISH

PIN ASSIGNMENTS

MID PLATE	GND	GROUNG RETURN, CONTATC A1	MID PLATE	GND	GROUNG RETURN, CONTATC A12&B1
A12	GND	GROUNG RETURN	B1	GND	GROUNG RETURN
A9	VBUS	BUS POWER	B4	VBUS	BUS POWER
A8	SBU1	SIDEBAND USE(SBU)	B5	CC2	CONFIGURATION CHANNEL
A7	DN1	POSITIVE HAL F OF USB2.0 DIFFERENTIAL PAIR-POSITION1	B6	DP2	POSITIVE HAL F OF USB2.0 DIFFERENTIAL PAIR-POSITION1
A6	DP1	POSITIVE HAL F OF USB2.0 DIFFERENTIAL PAIR-POSITION1	B7	DN2	POSITIVE HAL F OF USB2.0 DIFFERENTIAL PAIR-POSITION1
A5	CC1	CONFIGURATION CHANNEL	B8	SBU2	SIDEBAND USE(SBU)
A4	VBUS	BUS POWER	B9	VBUS	BUS POWER
A1	GND	GROUNG RETURN	B12	SBU	SIGNAL PIN, NOT CONTACT GND
PIN No.	NAME	DESCRIPTION	PIN No.	NAME	DESCRIPTION

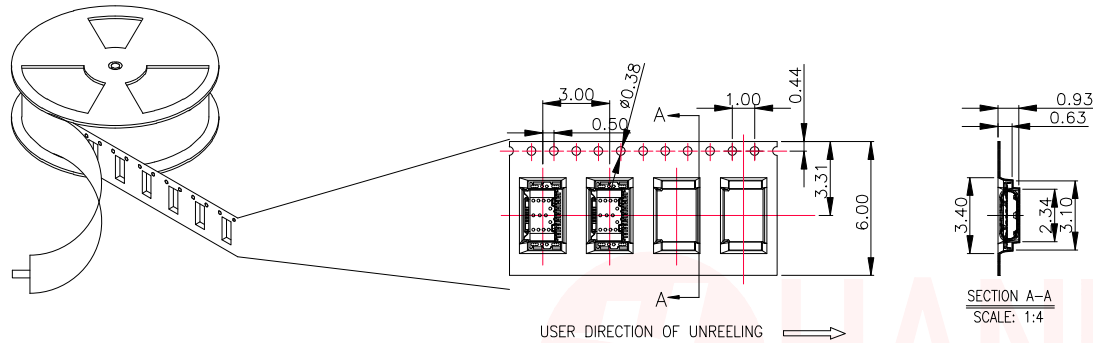
RECOMMENDED P.C.B. LAYOUT (THICKNESS:0.80MM)
TOLERANCE UNSPECIFIED ±0.05mm SCALE: 2:1

UNLESS OTHERWISE SPECIFIED TOLERANCES		东莞市汉博电子科技有限公司 DONGGUAN HANBO TECHNOLOGY CO., LTD			
DECIMALS:	ANGLES:	TITLE	USB TYPE C 16PIN SMT TYPE WITH NOTCH L6.45		
X ±0.30	X ±2°	DWN	xiong	PART NO. MC-116	
X.X ±0.20	X.X ±1°	CHKD	lee	SCALE:1:1	UNIT: mm
X.XX ±0.10		APVD	wang	SIZE: A4	SHEET:1OF 1
REV: A4					
CUSTOMER COPY					



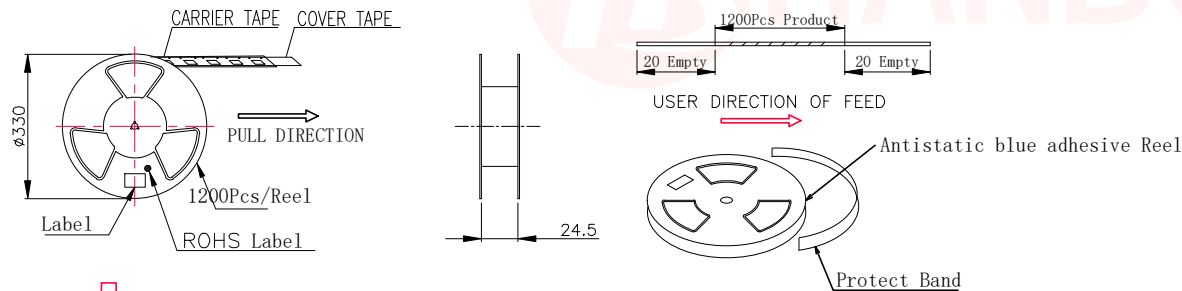
REV.	ECN NO OR DESCRIPTION	REVISED	DATE

HALOGEN FREE



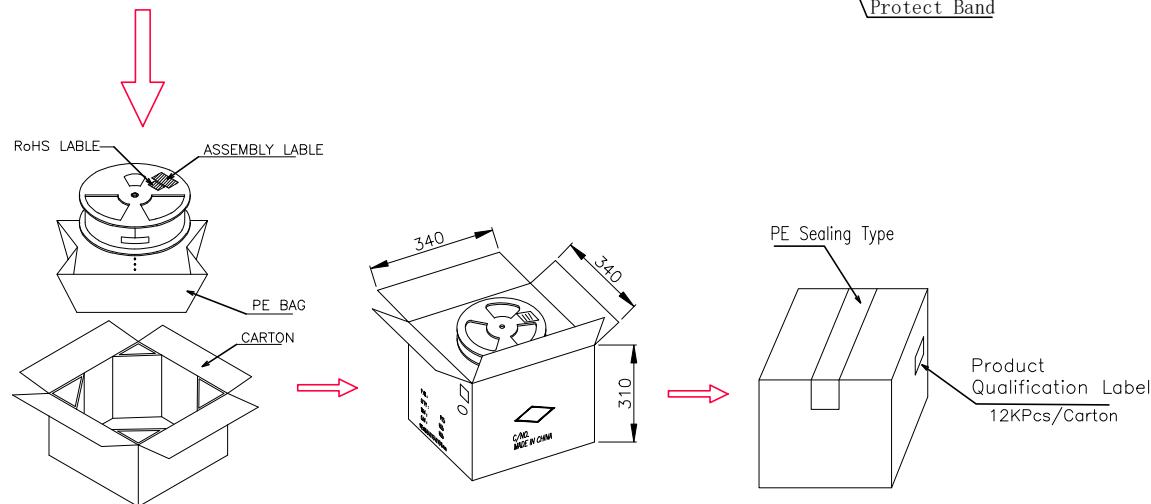
NOTES 1 :

1. Put the finished product into CARRIER TAPE according to the specified packaging quantity as shown in the figure. Then paste one Part label and one RoHS label on the reel.
2. Every 10 rolls is packed into a Carton, 1200PCS/Reel, 12000PCS/Carton;
3. After the carton is sealed, the carton is sealed with sealant, and the shipping label and RoHS label are pasted on the side;
4. Label; If the customer requires another label, the label shall be affixed according to the requirements specified in the order;
5. The outer case is bound with sealing tape;
6. This packing method is applicable to the products: 15-1681548 (16PIN TYPE-C)



NOTES 2:

- 1, Tape Reel Material: PET Transparent
- 2, Package Content: See Tab below



PRODUCT No.	QTY/REEL	REEL/CARTON	QTY/CARTON
MC-116	1200PCS	10 REEL	12000PCS
UNLESS OTHERWISE SPECIFIED TOLERANCES		东莞市汉博电子科技有限公司 DONGGUAN HANBO TECHNOLOGY CO., LTD	
DECIMALS:	ANGLES:	TITLE USB TYPE C 16PIN SMT TYPE WITH NOTCH L6.45	
X :±0.30	X :±2°	DWN	xiong PART NO. MC-116
X.X :±0.20	X.X :±1°	CHKD	lee SCALE:1:1 UNIT: mm
X.XX :±0.10		APVD	wang SIZE: A4 SHEET:1OF 1 REV: A4
CUSTOMER COPY			

X-ON Electronics

Largest Supplier of Electrical and Electronic Components

Click to view similar products for [USB Connectors](#) category:

Click to view products by [Hanbo Electronic](#) manufacturer:

Other Similar products are found below :

[950](#) [MUSBD11135](#) [17-200721](#) [217450-1](#) [KMBVX-TH-5S-B30](#) [KUSBX-AS2N-W](#) [KUSBX-SMT2AP1S-W30](#) [935](#) [957](#) [30-498-6](#) [SK-60A-2](#)
[1734082-1](#) [30-470](#) [30-489](#) [30-541](#) [A-USB A-2P-C](#) [MIKROE-1451](#) [USBFTVSCCG](#) [1-1734084-2](#) [10135326-001LF](#) [4198](#) [USB-A-D-VT](#)
[USB-A-S-RA-TSMT](#) [1310-1023-02](#) [690-024-633-031](#) [UB-20PMFP-LC7001](#) [17-200011](#) [UB-20AFMM-LL7A01](#) [1040870124](#) [CAP-](#)
[WCCMLPB1](#) [CAP-WCCMLPC1](#) [2274475-3](#) [UB-20BMFA-SL8001](#) [914-614A2025S10200](#) [USB3FTV7SAGF059](#) [ZX40-B-5S-1500-](#)
[STDA\(30\)](#) [GSB3116344HR](#) [USB3FTV2SAZNF459](#) [USB3FTV7SAZNF459](#) [U221-041N-1WVS62-F5D](#) [HYCW153-USBD05-500B](#)
[HYCW219-USBD05-075B](#) [HYCW148-USBD05-117B](#) [HYCW149-USBD05-740B](#) [HYCW204-USBD05-108B](#) [HYCW214-USBA04-113B](#)
[HYCW213-USBA04-113B](#) [UB-20AMFM-SL7A01](#) [KMMX-BSMT35S-1-B30TR](#) [2345986-1](#)