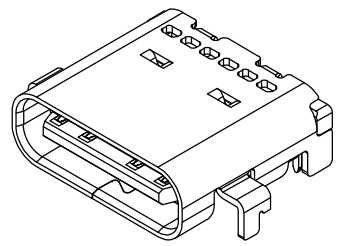
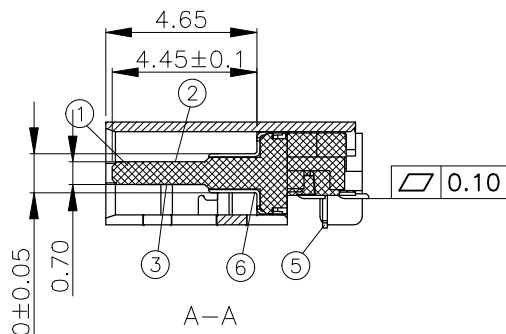
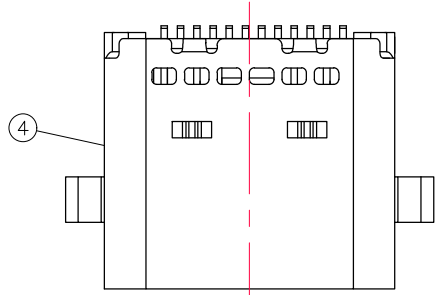


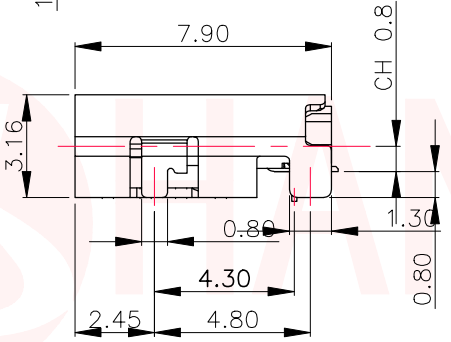
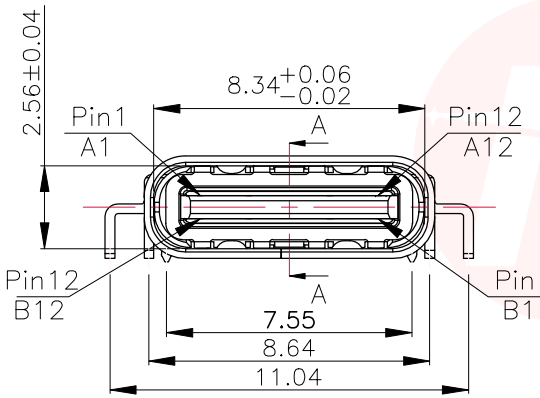


REV.	ECN NO OR DESCRIPTION	REVISED	DATE



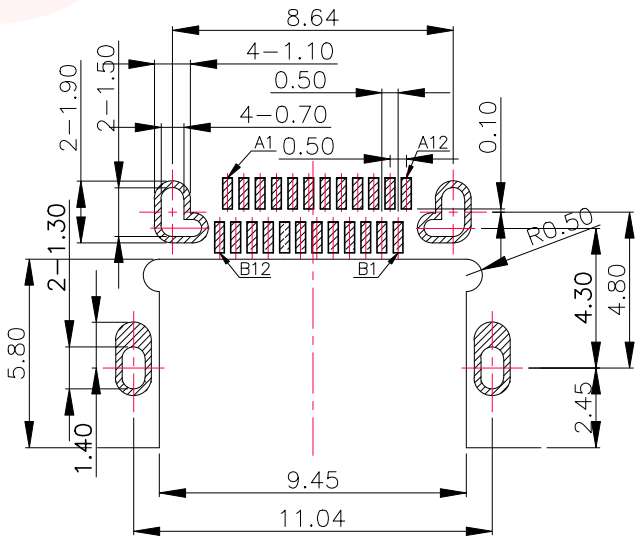
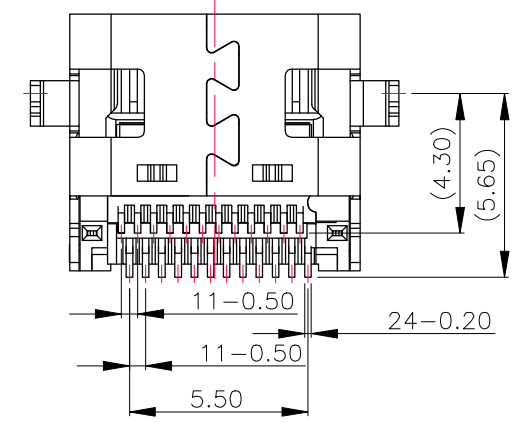
NOTES:

- MECHANICAL PERFORMANCE,
 - INSERTION FORCE: 5N~20N.
 - REMOVAL FORCE: 5N~20N.
 - DURABILITY: 10000 CYCLES.
- ELECTRICAL PERFORMANCE,
 - CURRENT RATING: 5.0A
VOLTAGE RATING: 5.0V
 - LLCR: VBUS & GND PINS AND OTHER PINS: 40mΩ/PIN MAX. SHIELD: 50mΩ/MAX.
 - INSULATION RESISTANCE: 100MΩ MIN
 - DIELECTRIC WITHSTAND VOLTAGE, AC 100V FOR 1 MINUTE.
- ENVIRONMENTAL PERFORMANCE:
OPERATING TEMPERATURE: -25°C~+85°C.



PIN ASSIGNMENTS:

PIN No.	A1	A2	A3	A4	A5	A6	A7	A8	A9	A10	A11	A12
SIGNAL NAME	GND	TX1+TX1-	Vbus	CC1	D+	D-	SBU1	Vbus	RX2-RX2+	GND		
PIN No.	B12	B11	B10	B9	B8	B7	B6	B5	B4	B3	B2	B1
SIGNAL NAME	GND	RX1+RX1-	Vbus	SUB2	D-	D+	CC2	Vbus	TX2-TX2+	GND		



RECOMMENDED P.C.B. LAYOUT
TOLERANCE UNSPECIFIED ±0.05mm

NO.	PART NAME	QTY.	MATERIAL	REMARK
⑥	EMI PLATE	1 PCS	STAINLESS STEEL T=0.10	
⑤	MID PLATE	1 PCS	STAINLESS STEEL T=0.15	Soldering Plating: Sn
④	SHELL	1 PCS	STAINLESS STEEL T=0.3	Ni
③	TERMINAL 2(12Pin)	1SET	COPPER ALLOY T=0.15	Under Plating: Ni Contact Plating: Au
②	TERMINAL 1(12Pin)	1SET	COPPER ALLOY T=0.15	Soldering Plating: Au
①	HOUSING	1 PCS	HIGH TEMP.THERMOPLASTIC UL94V-0	BLACK

UNLESS OTHERWISE SPECIFIED TOLERANCES

DECIMALS: X. ±0.20 X.X ±0.15 X.XX ±0.10

ANGLES: X°. ±2° X.X° ±1°

TITLE: USB TYPE C 24PIN 双排沉版CH0.8 SMT母座 L=7.9 (EMI拉伸款)

DWN xiong MC-210

CHKD lee SCALE:1:1 UNIT: mm

APVD wang SIZE: A4 SHEET:1 OF 1 REV: A4

CUSTOMER COPY

东莞市汉博电子科技有限公司
DONGGUAN HANBO TECHNOLOGY CO., LTD

X-ON Electronics

Largest Supplier of Electrical and Electronic Components

Click to view similar products for [USB Connectors](#) category:

Click to view products by [Hanbo Electronic](#) manufacturer:

Other Similar products are found below :

[950](#) [A-USB B-TOP-C](#) [MUSBA511N5](#) [MUSBC111M5](#) [MUSBD11135](#) [17-200721](#) [217450-1](#) [KMBVX-TH-5S-B30](#) [896-30-004-00-000000](#)
[KUSBX-AS2N-W](#) [KUSBX-SMT2AP1S-W30](#) [935](#) [957](#) [30-498-6](#) [SK-60A-2](#) [1734082-1](#) [30-1574](#) [30-470](#) [30-489](#) [30-541](#) [A-USB A-2P-C](#)
[MIKROE-1451](#) [USBFTV2PEM2G](#) [USBFTVSCCG](#) [4689-1](#) [1-1734084-2](#) [MUSBC11135](#) [USBF21ZNSCC](#) [USBBFTV6ZC](#) [MUSBB151341](#)
[10135326-001LF](#) [M9177/3-1](#) [TJ-105](#) [USB-A-S-F-B-VT](#) [4198](#) [690-024-633-031](#) [UB-20PMFP-LC7001](#) [USBFTVC6MRG](#) [UA-20BMFA-](#)
[SL8001](#) [17-200011](#) [USBFTVC7ZC](#) [UB-20AFMM-LL7A01](#) [USBFTVC2MN](#) [CAP-WCCMLPB1](#) [1310-1031-01](#) [2041386-1](#) [2274475-3](#) [UB-](#)
[20BMFA-SL8001](#) [UB-20PMFP-SC8003](#) [914-614A2025S10200](#)