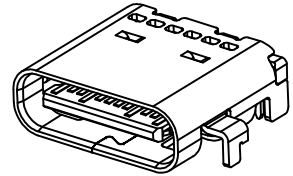
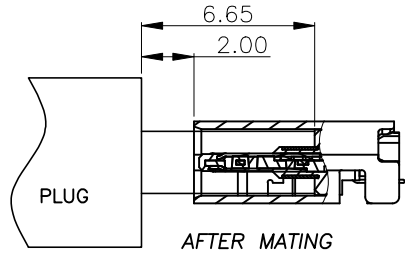
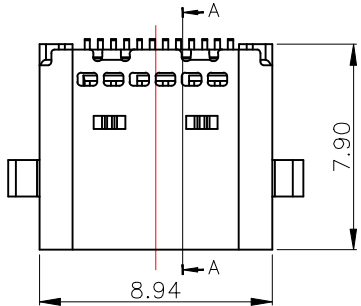


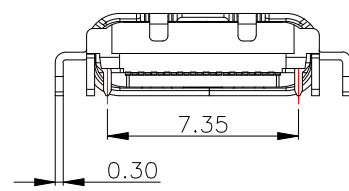
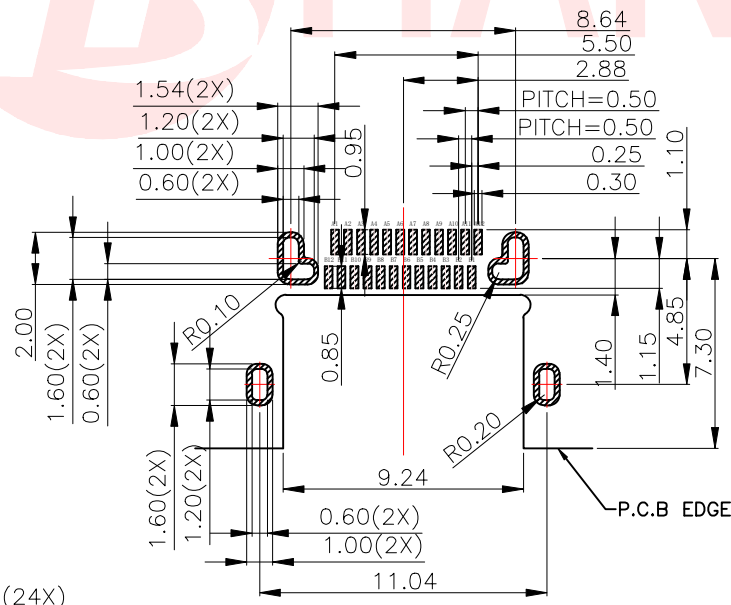
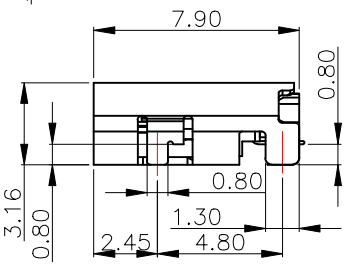
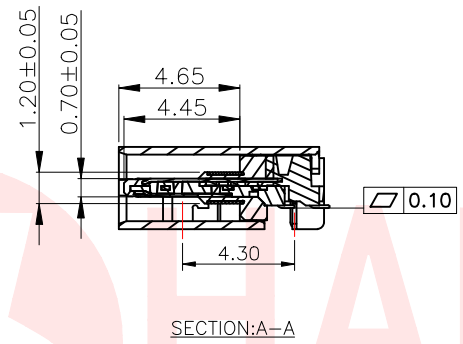
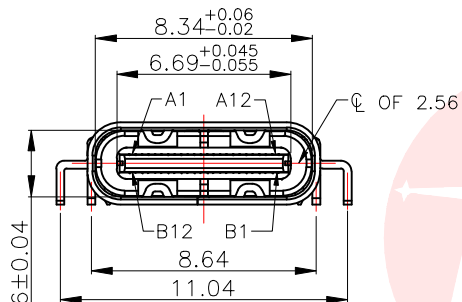


| | | | |
|------|-----------------------|---------|------|
| REV. | ECN NO OR DESCRIPTION | REVISED | DATE |
| | | | |



NOTE:

- MATERIAL SPECIFICATION:**
 - HOUSING: HIGH TEMPERATURE RESISTANT PLASTIC, UL94 V-0.
 - CONTACTS: COPPER ALLOY
 - MID PLATE: STAINLESS STEEL
 - FRONT SHELL: STAINLESS STEEL
 - EMI PLATE: STAINLESS STEEL
- PLATING SPECIFICATION:**
 - CONTACTS:
 - Ni 50u" MIN. UNDER PLATED OVER ALL.
 - Au PLATED ON THE FUNCTIONAL AREA OF CONTACT. (GOLD PLATING THICKNESS FOLLOW THE P/N)
 - PLATING SPECIFICATIONS OF THE SOLDER AREA FOLLOW THE P/N
 - FRONT SHELL:
 - Ni 30u" MIN. UNDER PLATED OVER ALL.
 - MID PLATE:
 - Ni 30u" MIN. UNDER PLATED OVER ALL.
 - Sn 80u" MIN. PLATED OVER ALL
 - EMI PLATE:
 - CLEAR ONLY
- MECHANICAL PERFORMANCE,**
 - INSERTION FORCE: 0.5~2.0kgf.
 - REMOVAL FORCE: 0.8kgf~2.0kgf.
 - DURABILITY: 10000 CYCLES.
- ELECTRICAL PERFORMANCE,**
 - CURRENT RATING: 5.0A
VOLTAGE RATING: 5.0V
 - LLCR:
 - VBUS & GND PINS AND OTHER PINS: 40mA/PIN MAX.
 - LLCR MAX. CHANGE OF ALL PINS: 10me.
 - INSULATION RESISTANCE: 100MΩ MIN
 - DIELECTRIC WITHSTAND VOLTAGE, AC 100V FOR 1 MINUTE.
- ENVIRONMENTAL PERFORMANCE:**
 - OPERATING TEMPERATURE: -25°C~+85°C.
- IR REFLOW:**
 - THE PEAK TEMPERATURE ON THE BOARD SHALL BE MAINTAINED FOR 10 SECONDS AT 260°C.



| USB TYPE-C PIN ASSIGNMENTS | | | |
|----------------------------|-------------|------------|-------------|
| PIN NUMBER | SIGNAL NAME | PIN NUMBER | SIGNAL NAME |
| A1 | GND | B12 | GND |
| A2 | Txp1 | B11 | Rxp1 |
| A3 | Txn1 | B10 | Rxn1 |
| A4 | VBUS | B9 | VBUS |
| A5 | CC1 | B8 | SBU2 |
| A6 | Dp1 | B7 | Dn2 |
| A7 | Dn1 | B6 | Dp2 |
| A8 | SBU1 | B5 | CC2 |
| A9 | VBUS | B4 | VBUS |
| A10 | Rxn2 | B3 | Txn2 |
| A11 | Rxp2 | B2 | Txp2 |
| A12 | GND | B1 | GND |

RECOMMENDED PCB LAYOUT(TOP VIEW)
THICKNESS 0.60MM; DEFAULT TOLERANCE: ±0.05

UNLESS OTHERWISE SPECIFIED TOLERANCES

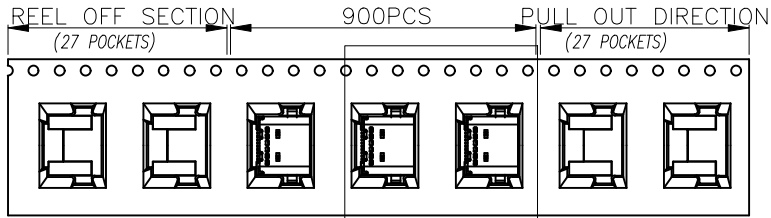
| | |
|--------------|-----------|
| DECIMALS: | ANGLES: |
| X : ±0.30 | X : ±2° |
| X.X : ±0.20 | X.X : ±1° |
| X.XX : ±0.10 | |

东莞市汉博电子科技有限公司
DONGGUAN HANBO TECHNOLOGY CO., LTD

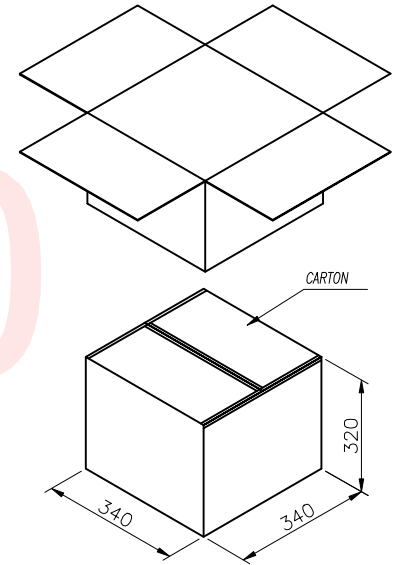
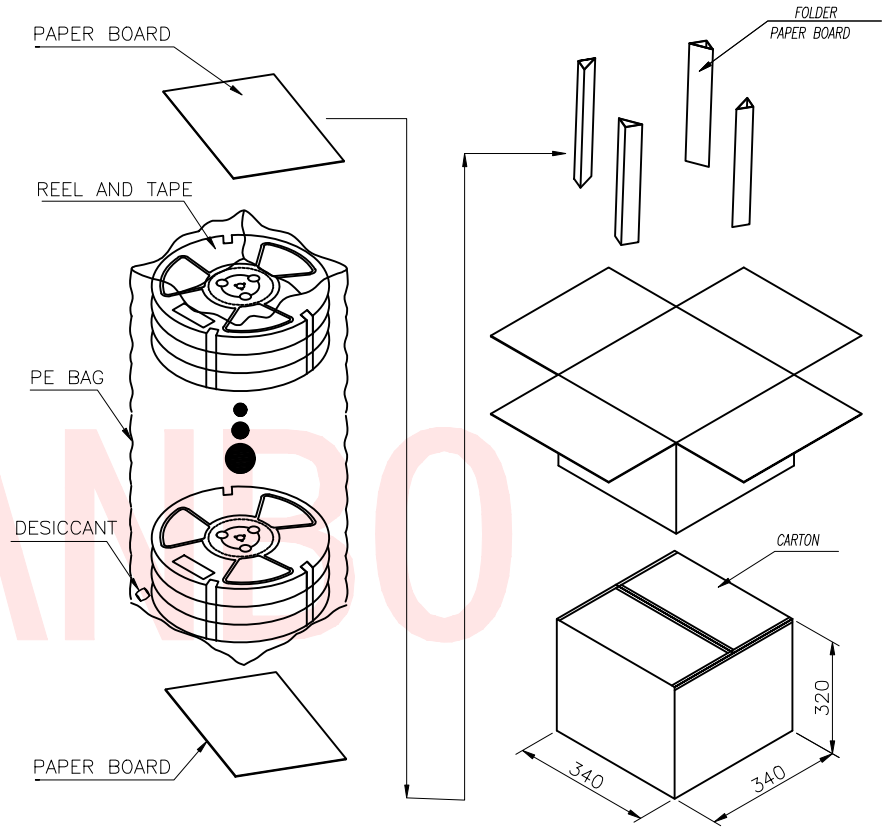
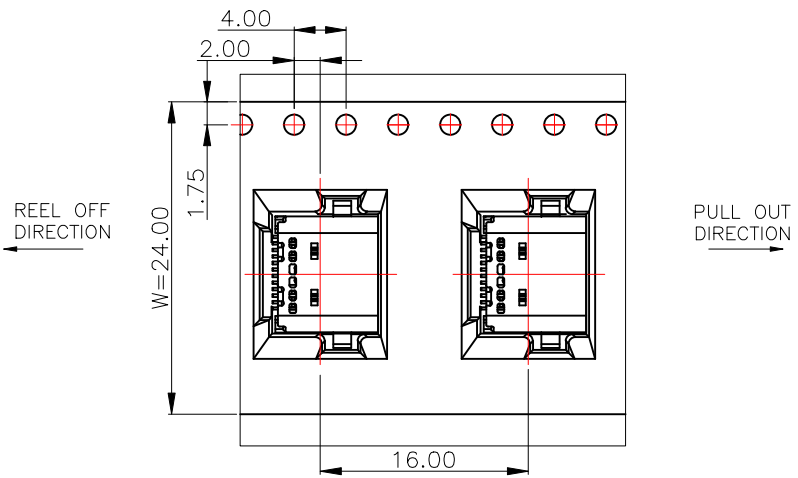
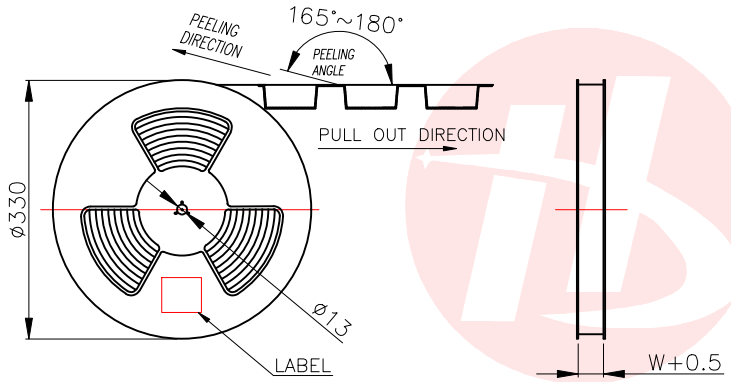
| | | | |
|---------------|---------------------------------------|--------------------------|----------------------|
| TITLE | USB CF 24PIN SMT TYPE MID-MOUNT 0.8mm | | |
| DWN | xiong | PART NO. MC-210-C08-EP24 | |
| CHKD | lee | SCALE: 1:1 | UNIT: mm |
| APVD | wang | SIZE: A4 | SHEET: 10F 1 REV: A4 |
| CUSTOMER COPY | | | |



| REV. | ECN NO OR DESCRIPTION | REVISED | DATE |
|------|-----------------------|---------|------|
| | | | |
| | | | |



SEE DETAIL X



| | | REEL | CARTON |
|---------------------------------------|----------|---|-----------------------------------|
| CONNECTOR (PCS) | | 900 | 9000 |
| UNLESS OTHERWISE SPECIFIED TOLERANCES | | 东莞市汉博电子科技有限公司 DONGGUAN HANBO TECHNOLOGY CO., LTD | |
| DECIMALS: | ANGLES: | TITLE USB CF 24PIN SMT TYPE MID-MOUNT 0.8mm | |
| X :±0.30 | X :±2° | DWN | xiong PART NO. MC-210-C08-EP24 |
| X.X :±0.20 | X.X :±1° | CHKD | lee SCALE:1:1 UNIT: mm |
| X.XX :±0.10 | | APVD | wang SIZE: A4 SHEET:10F 1 REV: A4 |
| CUSTOMER COPY | | | |

X-ON Electronics

Largest Supplier of Electrical and Electronic Components

Click to view similar products for [USB Connectors](#) category:

Click to view products by [Hanbo Electronic](#) manufacturer:

Other Similar products are found below :

[950](#) [MUSBD11135](#) [17-200721](#) [217450-1](#) [KMBVX-TH-5S-B30](#) [KUSBX-AS2N-W](#) [KUSBX-SMT2AP1S-W30](#) [935](#) [957](#) [30-498-6](#) [SK-60A-2](#)
[1734082-1](#) [30-470](#) [30-489](#) [30-541](#) [A-USB A-2P-C](#) [MIKROE-1451](#) [USBFTVSCCG](#) [1-1734084-2](#) [10135326-001LF](#) [4198](#) [USB-A-D-VT](#)
[USB-A-S-RA-TSMT](#) [1310-1023-02](#) [690-024-633-031](#) [UB-20PMFP-LC7001](#) [17-200011](#) [UB-20AFMM-LL7A01](#) [1040870124](#) [CAP-](#)
[WCCMLPB1](#) [CAP-WCCMLPC1](#) [2274475-3](#) [UB-20BMFA-SL8001](#) [914-614A2025S10200](#) [USB3FTV7SAGF059](#) [ZX40-B-5S-1500-](#)
[STDA\(30\)](#) [GSB3116344HR](#) [USB3FTV2SAZNF459](#) [USB3FTV7SAZNF459](#) [U221-041N-1WVS62-F5D](#) [HYCW153-USBD05-500B](#)
[HYCW219-USBD05-075B](#) [HYCW148-USBD05-117B](#) [HYCW149-USBD05-740B](#) [HYCW204-USBD05-108B](#) [HYCW214-USBA04-113B](#)
[HYCW213-USBA04-113B](#) [UB-20AMFM-SL7A01](#) [KMMX-BSMT35S-1-B30TR](#) [2345986-1](#)