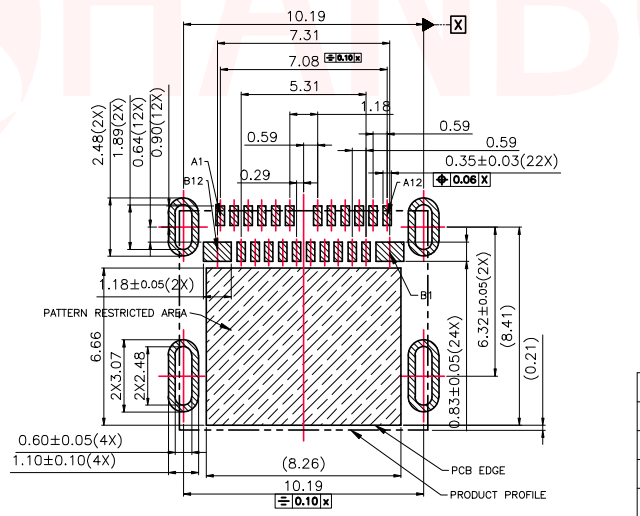
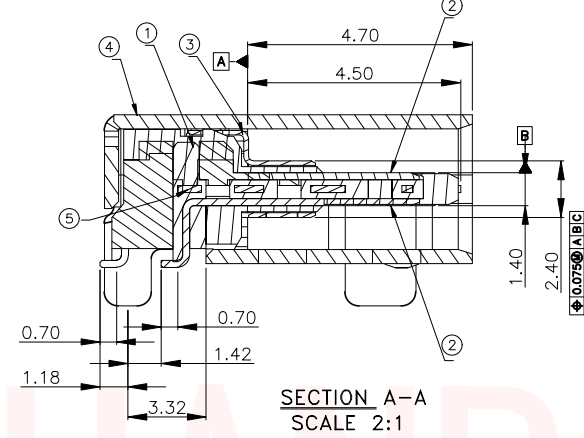
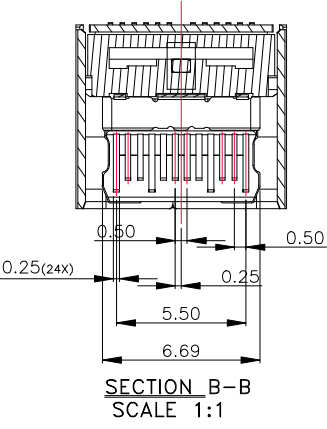
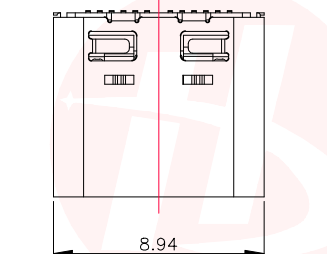
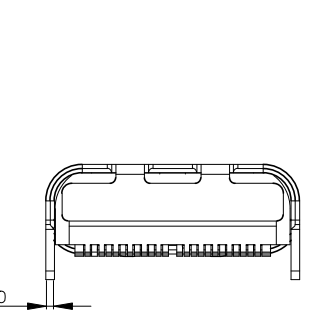
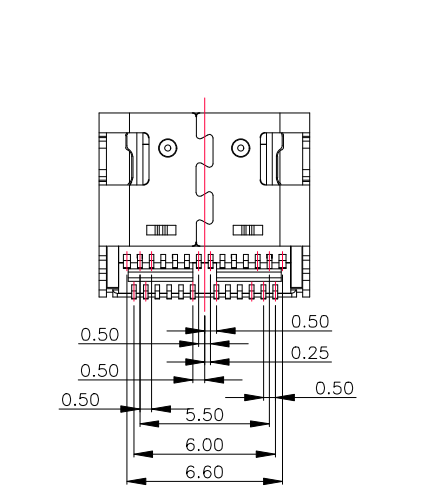
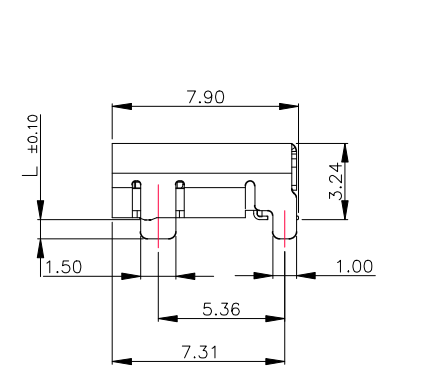
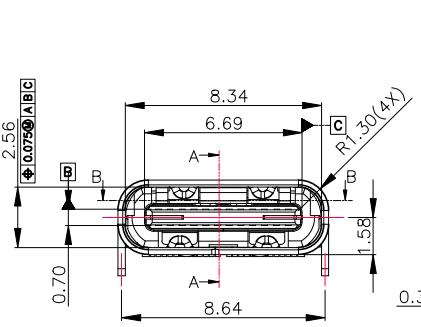
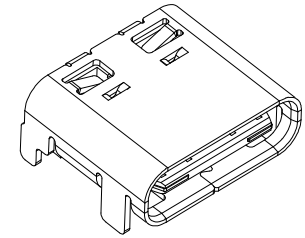




REV.	ECN NO OR DESCRIPTION	REVISED	DATE



RECOMMENDED PCB LAYOUT(TOP VIEW)
DEFAULT TOLERANCE: ±0.05



- 1-1.HOUSING: LCP UL94 V-0 BLACK.
- 1-2.CONTACTS: C7025-TM02/C18400-R540 T=0.15mm
- 1-3.EMI SPRING: SUS304-1/2H T=0.10mm
- 1-4.FRONT SHELL: SUS304-1/2H T=0.3mm
- 1-5.MIDDLE BLADE: SUS304-H T=0.15
- 2.PLATING SPECIFICATION:
 - 2-1.CONTACTS:
 - Ni 30u" MIN. UNDER PLATED OVER ALL.
 - 1-30u" Au PLATED ON THE FUNCTIONAL AREA OF CONTACT.
 - Au GOLD FLASH PLATED ON SOLDER AREA.
 - 2-2.EMI SPRING:
 - CLEANING ONLY
 - 2-3.FRONT SHELL:
 - Ni 50u" MIN. UNDER PLATED OVER ALL.
 - 2-4.MIDDLE BLADE:
 - Ni 50u" MIN. UNDER PLATED OVER ALL.
 - Au G/F" Min PLATED ON SOLDER AREA.
- 3.MECHANICAL PERFORMANCE:
 - 3-1.INSERTION FORCE: 5~20N
 - 3-2.REMOVAL FORCE: 8~20N FROM 1 TO 1000 CYCLES
6~20N FROM 1001 TO 10000 CYCLES
 - 3-3.DURABILITY: 10000 CYCLES.
- 4.ELECTRICAL PERFORMANCE:
 - 4-1. CURRENT RATING: 5.0A FOR VBUS PINS (Pin A4,A9,B4,B9)
1.25A FOR GND PINS (PIN A1,A12,B1,B12)
0.25A FOR OTHER PINS (PIN A1,A12,B1,B12)
 - 4-2. LLCR:
 - VBUS & GND PINS AND OTHER PINS: 40mA/PIN MAX.
 - SHIELD: 50mA/MAX.
 - LLCR MAX. CHANGE OF ALL PINS: 10mA
 - 4-3.INSULATION RESISTANCE: 100MΩ MIN.
 - 4-4.DIELECTRIC WITHSTAND VOLTAGE,AC 100V FOR 1 MINUTE.
- 5. ENVIRONMENTAL PERFORMANCE:
 - OPERATING TEMPERATURE: -30°C~+85°C.
- 6.IR REFLOW:
 - THE PEAK TEMPERATURE ON THE BOARD SHALL BE MAINTAINED FOR 10 SECONDS AT 260°C.

PIN ASSIGNMENT											
A1	A2	A3	A4	A5	A6	A7	A8	A9	A10	A11	A12
GND	TX1+	TX1-	VBUS	CC1	D+	D-	SBU1	VBUS	RX2-	RX2+	GND
GND	RX1+	RX1-	VBUS	SBU2	D-	D+	CC2	VBUS	TX2-	TX2+	GND
B12	B11	B10	B9	B8	B7	B6	B5	B4	B3	B2	B1

UNLESS OTHERWISE SPECIFIED TOLERANCES

DECIMALS:	ANGLES:
X :±0.35	X :±2°
X.X :±0.25	X.X :±1°
X.XX :±0.15	

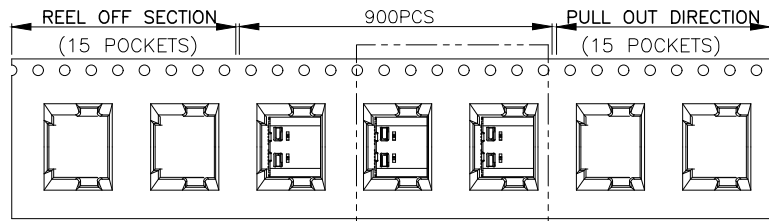
东莞市汉博电子科技有限公司
DONGGUAN HANBO TECHNOLOGY CO., LTD

TITLE	TYPE C母座双排贴片 24PIN 四脚DIP L=7.9mm莫仕款		
DWN	xiong	PART NO. MC-222D	
CHKD	lee	SCALE:1:1	UNIT: mm
APVD	wang	SIZE: A4	SHEET:10F 1
			REV: A4

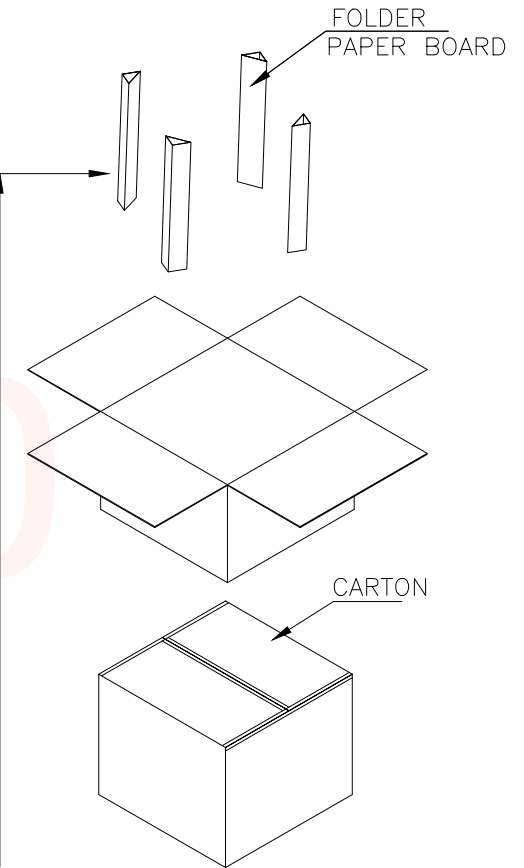
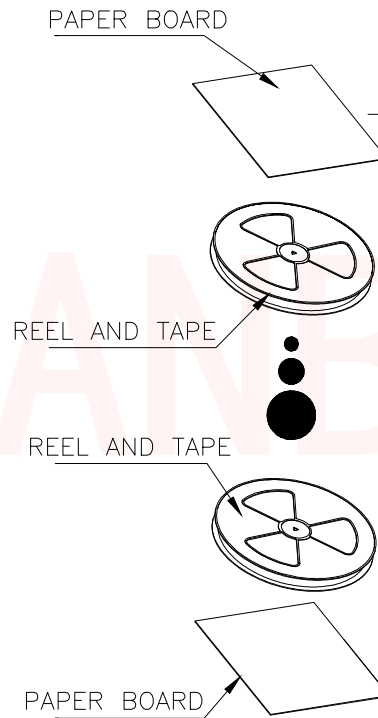
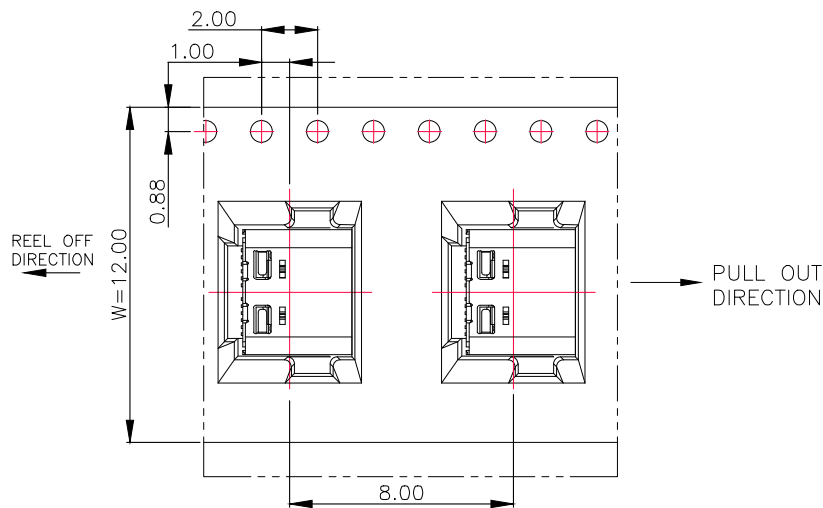
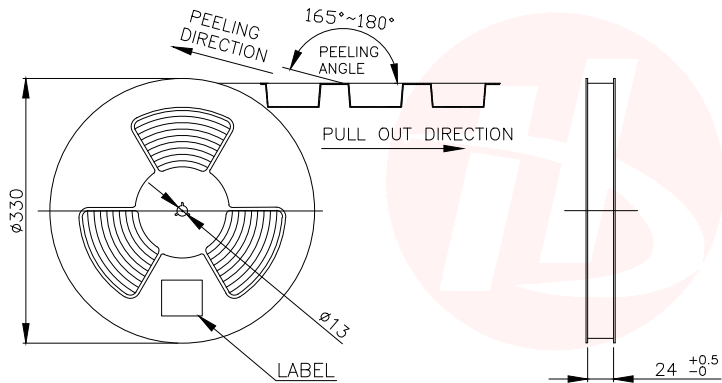
CUSTOMER COPY



REV.	ECN NO OR DESCRIPTION	REVISED	DATE



SEE DETAIL X



UNLESS OTHERWISE SPECIFIED TOLERANCES

DECIMALS:	ANGLES:
X :±0.35	X :±2°
X.X :±0.25	X.X :±1°
X.XX :±0.15	



东莞市汉博电子科技有限公司
DONGGUAN HANBO TECHNOLOGY CO., LTD

TITLE	TYPE C 每座双排贴片 24PIN 四脚DIP L=7.9mm 莫仕款		
DWN	xiong	PART NO. MC-222D	
CHKD	lee	SCALE:1:1	UNIT: mm
APVD	wang	SIZE: A4	SHEET:10F 1
			REV: A4

CUSTOMER COPY

X-ON Electronics

Largest Supplier of Electrical and Electronic Components

Click to view similar products for [USB Connectors](#) category:

Click to view products by [Hanbo Electronic](#) manufacturer:

Other Similar products are found below :

[950](#) [A-USB A-LP-SMT-C](#) [A-USB B-TOP-C](#) [MUSBD11135](#) [17-200721](#) [217450-1](#) [KMBVX-TH-5S-B30](#) [KUSBX-AS2N-W](#) [KUSBX-SMT2AP1S-W30](#) [935](#) [957](#) [30-498-6](#) [SK-60A-2](#) [1734082-1](#) [30-470](#) [30-489](#) [30-541](#) [MAB 5 S](#) [A-USB A-2P-C](#) [MIKROE-1451](#)
[USBFTVSCCG](#) [1-1734084-2](#) [MUSBA81130](#) [NK-27-32SL](#) [NK-L8-22C-5/8](#) [10135326-001LF](#) [4198](#) [690-024-633-031](#) [UB-20PMFP-LC7001](#)
[17-200011](#) [UB-20AFMM-LL7A01](#) [CAP-WCCMLPB1](#) [CAP-WCCMLPC1](#) [2274475-3](#) [914-614A2025S10200](#) [USB3FTV7SAGF059](#)
[USB3FTV2SAZNF459](#) [USB3FTV7SAZNF459](#) [HYCW153-USBD05-500B](#) [HYCW219-USBD05-075B](#) [HYCW148-USBD05-117B](#)
[HYCW149-USBD05-740B](#) [HYCW204-USBD05-108B](#) [HYCW214-USBA04-113B](#) [HYCW213-USBA04-113B](#) [KMMX-BSMT35S-1-B30TR](#)
[2345986-1](#) [10082141-N340LF](#) [10117836-011LF](#) [GSB3C3133DSYHR](#)