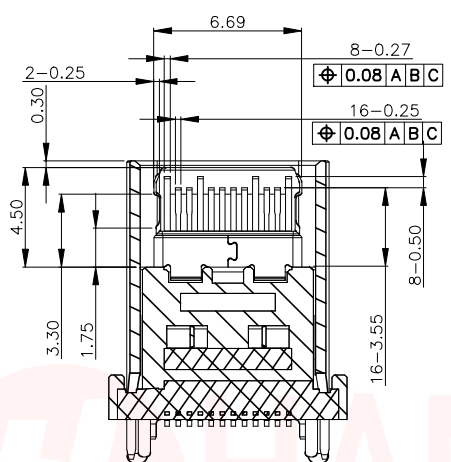
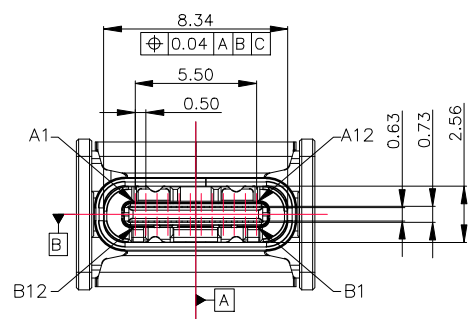
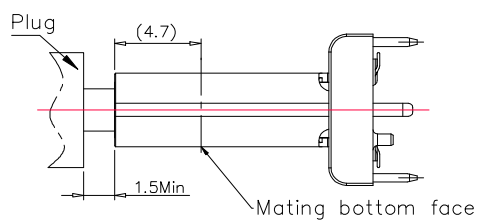
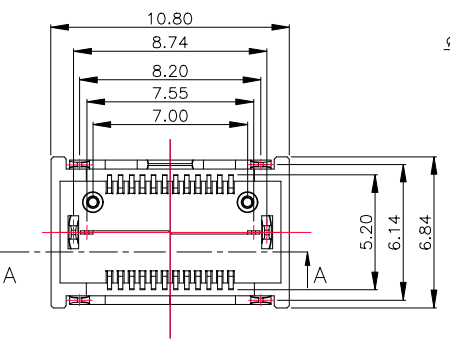
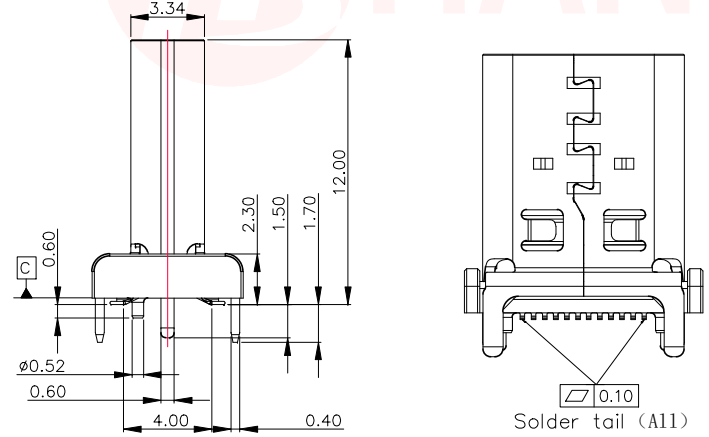
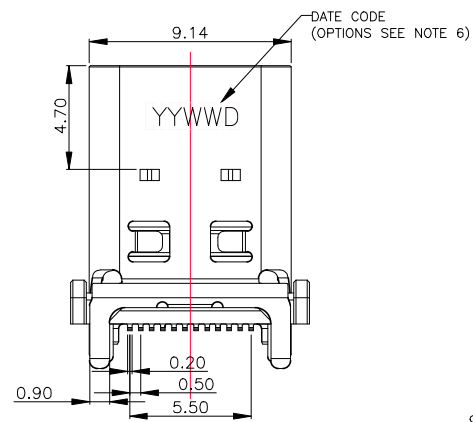




REV.	ECN NO OR DESCRIPTION	REVISED	DATE



Section A-A



NOTE:

- PLATING SPECIFICATION:
  - CONTACTS:
    - Ni 50u" MIN. UNDER PLATED OVER ALL.
    - Au PLATED ON THE FUNCTIONAL AREA OF CONTACT. (GOLD PLATING THICKNESS FOLLOW THE P/N)
    - 80u" MIN TIN PLATED ON SOLDER AREA.
  - FRONT SHELL:
    - Ni 50u" MIN. UNDER PLATED OVER ALL.
  - MID PLATE:
    - Ni 50u" MIN. UNDER PLATED OVER ALL.
  - EMI PLATE:
    - CLEAR ONLY
- MECHANICAL PERFORMANCE,
  - INSERTION FORCE: 0.5~2.0kgf.
  - REMOVAL FORCE: Initial 0.8~2.0kgf; After durability 0.6~2.0kgf.
  - DURABILITY: 10000 CYCLES.
- ELECTRICAL PERFORMANCE,
  - CURRENT RATING: 1.25A for A4/A9/B4/B9 PIN, 5.0A for Other PINS  
VOLTAGE RATING: 5.0V
  - LLCR:
    - VBUS & GND PINS AND OTHER PINS: 40mA/PIN MAX.
    - SHIELD: 50mA/MAX.
    - LLCR MAX. CHANGE OF ALL PINS: 10mA.
  - INSULATION RESISTANCE: 100MΩ MIN
  - DIELECTRIC WITHSTAND VOLTAGE, AC 100VAC FOR 1 MINUTE.
- ENVIRONMENTAL PERFORMANCE:
  - OPERATING TEMPERATURE: -55°C~+85°C.
- IR REFLOW:
  - THE PEAK TEMPERATURE ON THE BOARD SHALL BE MAINTAINED FOR 10 SECONDS AT 260°C.

NO.	PART NAME	MATERIAL	FINISH	QTY
6	EMI-SHELL	STAINLESS STEEL	NO PLATING	1
5	MID-PLATE	STAINLESS STEEL	50u" Ni Min PLATING	1
4	SHELL	STAINLESS STEEL	50u" Ni Min PLATING	1
3	CONTACT	COPPER ALLOY	Au plating overall	24
2	1/Molding	THERMOPLASTIC PLASTIC	BLACK, UL 94V-0	2
1	3/Molding	THERMOPLASTIC PLASTIC	BLACK, UL 94V-0	1

UNLESS OTHERWISE SPECIFIED TOLERANCES

DECIMALS: X ±0.35 X.X ±0.25 X.XX ±0.15

ANGLES: X ±2° X.X ±1°

**东莞市汉博电子科技有限公司**  
DONGGUAN HANBO TECHNOLOGY CO., LTD

TITLE: USB TYPE C 24PIN REC H=12.0MM Vertical TYPE

DWN xiong PART NO. MC-234

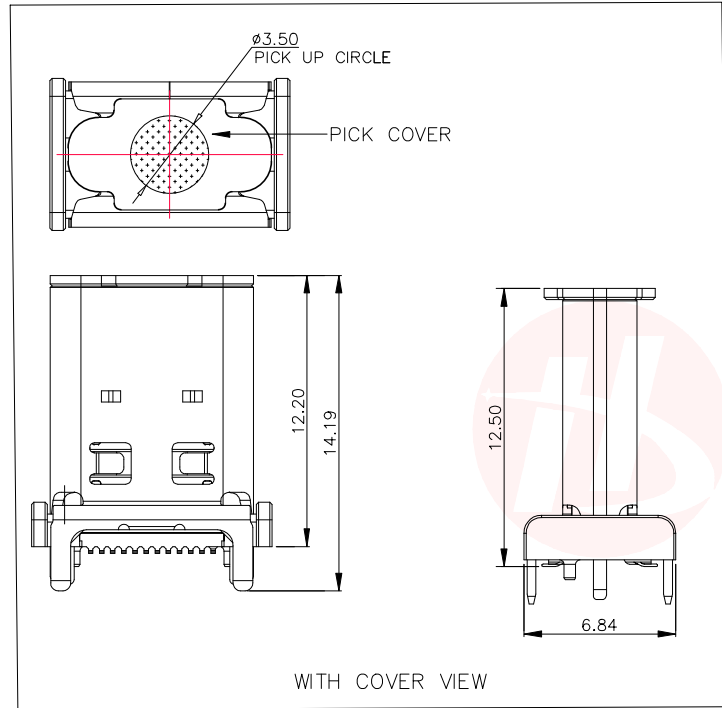
CHKD lee SCALE: 1:1 UNIT: mm

APVD wang SIZE: A4 SHEET: 1 OF 1 REV: A4

CUSTOMER COPY

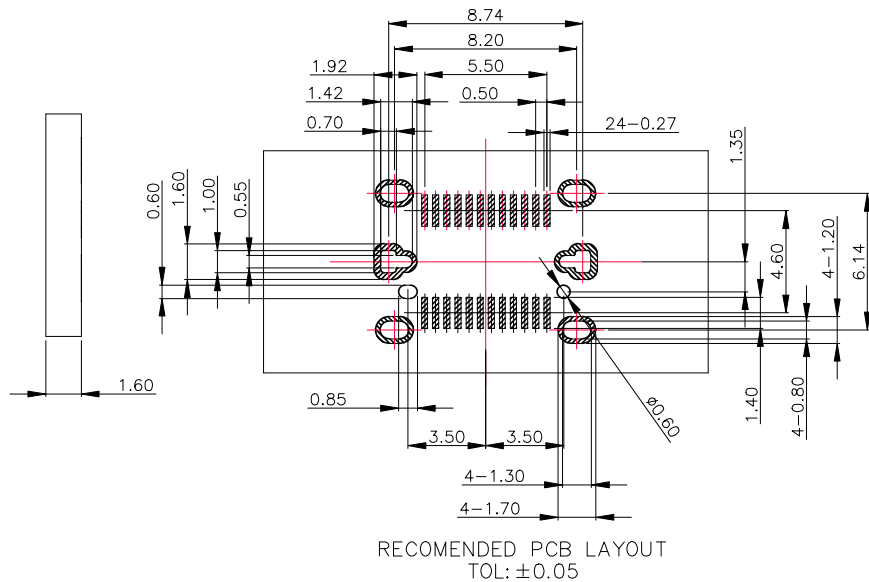


REV.	ECN NO OR DESCRIPTION	REVISED	DATE



PIN DEFINE:

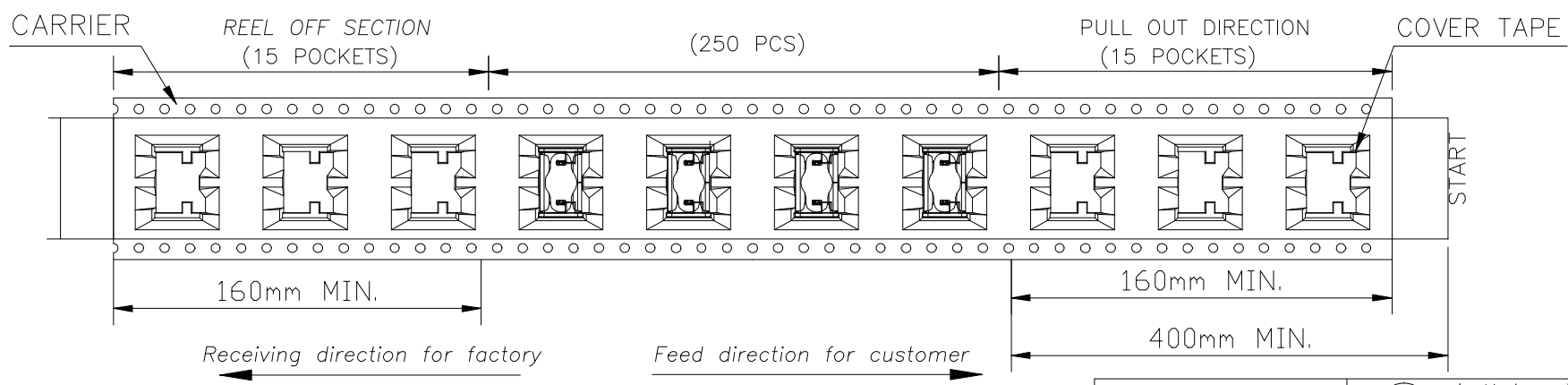
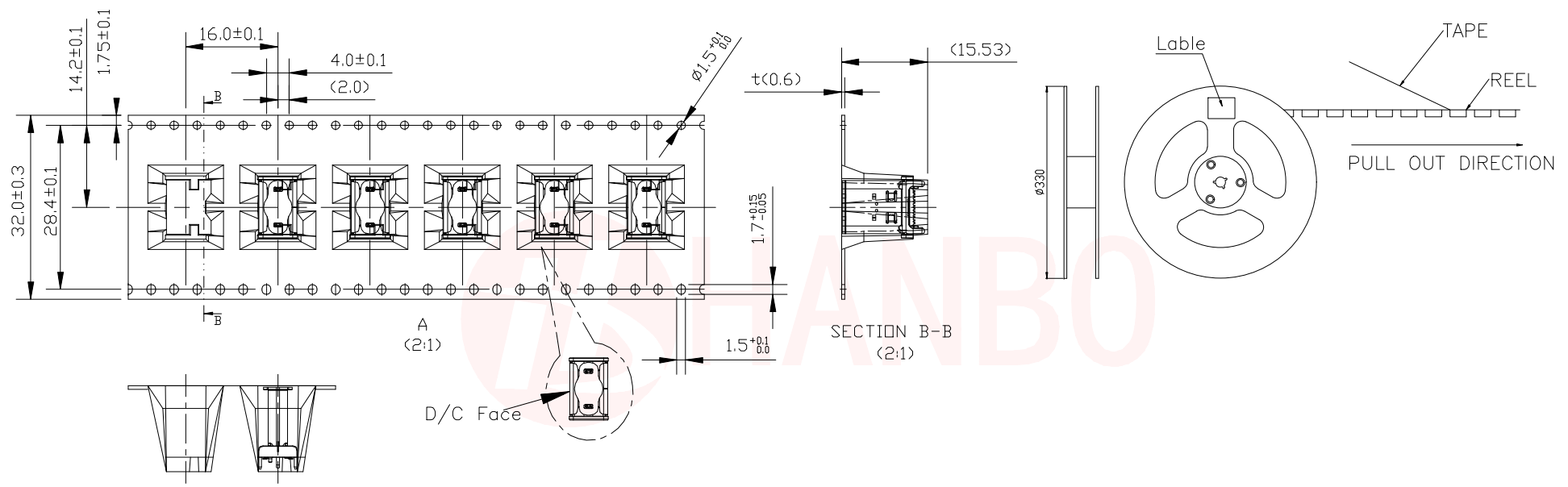
P <sub>in</sub>	Signal Name	Description	Mating Sequence	P <sub>in</sub>	Signal Name	Description	Mating Sequence
A1	GND	Ground return	First	B12	GND	Ground return	First
A2	SSTXp1	Positive half of first SuperSpeed TX differential pair	Second	B11	SSRXp1	Positive half of first SuperSpeed RX differential pair	Second
A3	SSTXn1	Negative half of first SuperSpeed TX differential pair	Second	B10	SSRXn1	Negative half of first SuperSpeed RX differential pair	Second
A4	V <sub>bus</sub>	Bus Power	First	B9	V <sub>bus</sub>	Bus Power	First
A5	CC1	Configuration Channel	Second	B8	SBU2	Sideband Use(SBU)	Second
A6	Dp1	Positive half of the USB 2.0 differential pair-Position 1	Second	B7	Dn2	Negative half of the USB 2.0 differential pair-Position 2	Second
A7	Dn1	Negative half of the USB 2.0 differential pair-Position 1	Second	B6	Dp2	Positive half of the USB 2.0 differential pair-Position 2	Second
A8	SBU1	Sideband Use(SBU)	Second	B5	CC2	Configuration Channel	Second
A9	V <sub>bus</sub>	Bus Power	First	B4	V <sub>bus</sub>	Bus Power	First
A10	SSRXn2	Negative half of second SuperSpeed RX differential pair	Second	B3	SSTXn2	Negative half of second SuperSpeed TX differential pair	Second
A11	SSRXp2	Positive half of second SuperSpeed RX differential pair	Second	B2	SSTXp2	Positive half of second SuperSpeed TX differential pair	Second
A12	GND	Ground return	First	B1	GND	Ground return	First



UNLESS OTHERWISE SPECIFIED TOLERANCES		东莞市汉博电子科技有限公司 DONGGUAN HANBO TECHNOLOGY CO., LTD			
DECIMALS: X ±0.35 X.X ±0.25 X.XX ±0.15		TITLE USB TYPE C 24PIN REC H=12.0MM Vertical TYPE			
ANGLES: X ±2° X.X ±1°		DWN	xiong	PART NO. MC-234	
		CHKD	lee	SCALE:1:1	UNIT: mm
		APVD	wang	SIZE: A4	SHEET:10F 1
		REV: A4			
CUSTOMER COPY					



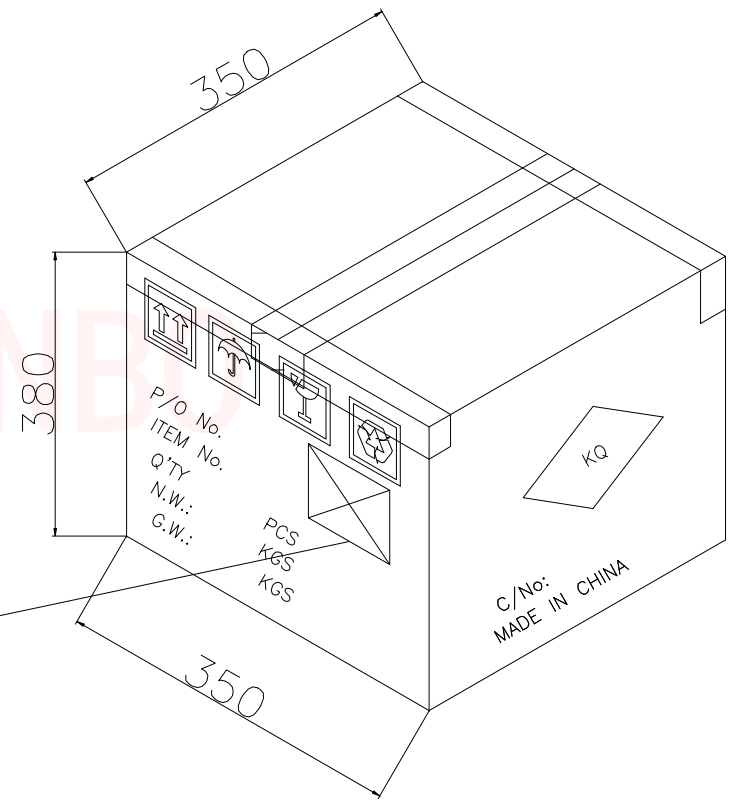
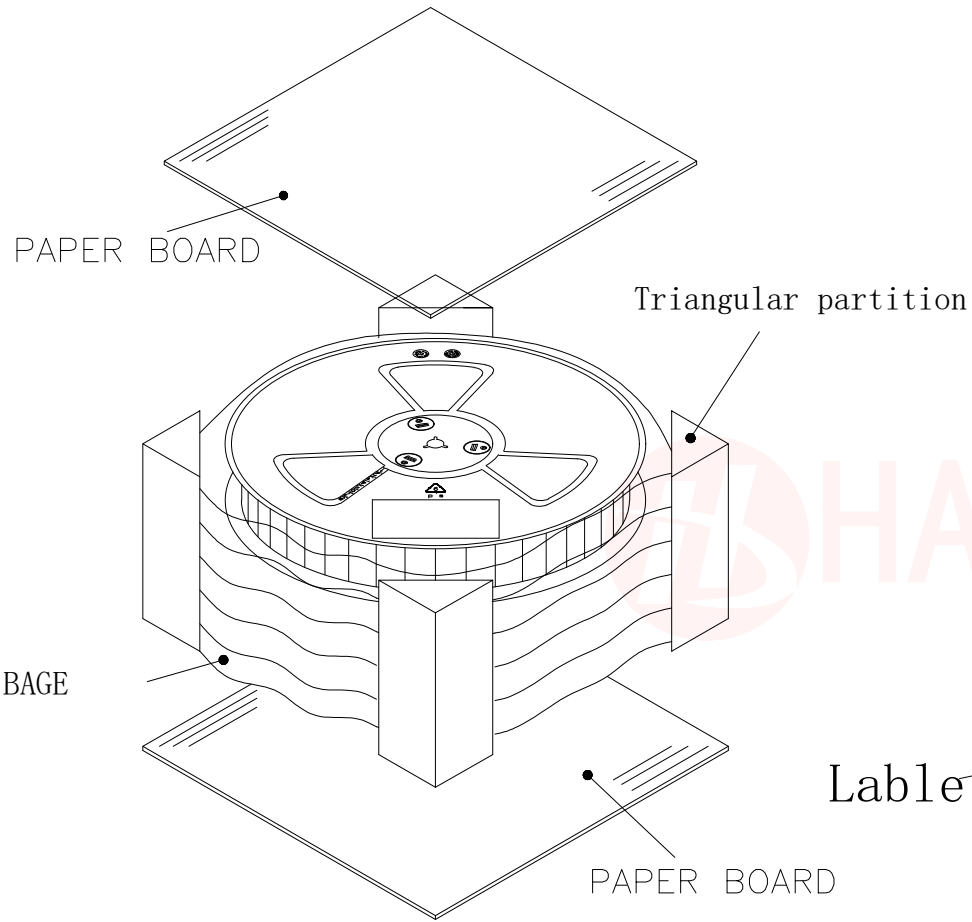
REV.	ECN NO OR DESCRIPTION	REVISED	DATE




UNLESS OTHERWISE SPECIFIED TOLERANCES		东莞市汉博电子科技有限公司 DONGGUAN HANBO TECHNOLOGY CO., LTD		
DECIMALS:	ANGLES:	TITLE	USB TYPE C 24PIN REC H=12.0MM Vertical TYPE	
X :±0.35	X :±2°	DWN	xiong	PART NO. MC-234
X.X :±0.25	X.X :±1°	CHKD	lee	SCALE:1:1 UNIT: mm
X.XX :±0.15		APVD	wang	SIZE: A4 SHEET:10F 1 REV: A4
CUSTOMER COPY				



5		6	
REV.	ECN NO OR DESCRIPTION	REVISED	DATE



PART NUMBER	PCS/REEL	REEL/BOX	PCS/BOX
MC-234	250	10	2500

UNLESS OTHERWISE SPECIFIED TOLERANCES		 东莞市汉博电子科技有限公司 DONGGUAN HANBO TECHNOLOGY CO., LTD			
DECIMALS:	ANGLES:	TITLE	USB TYPE C 24PIN REC H=12.0MM Vertical TYPE		
X :±0.35	X :±2°	DWN	xiong	PART NO. MC-234	
X.X :±0.25	X.X :±1°	CHKD	lee	SCALE:1:1	UNIT: mm
X.XX :±0.15		APVD	wang	SIZE: A4	SHEET:10F 1
		REV: A4			
CUSTOMER COPY					

## X-ON Electronics

Largest Supplier of Electrical and Electronic Components

*Click to view similar products for [USB Connectors](#) category:*

*Click to view products by [Hanbo Electronic](#) manufacturer:*

Other Similar products are found below :

[950](#) [MUSBD11135](#) [17-200721](#) [217450-1](#) [KMBVX-TH-5S-B30](#) [KUSBX-AS2N-W](#) [KUSBX-SMT2AP1S-W30](#) [935](#) [957](#) [30-498-6](#) [SK-60A-2](#)  
[1734082-1](#) [30-470](#) [30-489](#) [30-541](#) [A-USB A-2P-C](#) [MIKROE-1451](#) [USBFTVSCCG](#) [1-1734084-2](#) [10135326-001LF](#) [4198](#) [USB-A-D-VT](#)  
[USB-A-S-RA-TSMT](#) [1310-1023-02](#) [690-024-633-031](#) [UB-20PMFP-LC7001](#) [17-200011](#) [UB-20AFMM-LL7A01](#) [1040870124](#) [CAP-](#)  
[WCCMLPB1](#) [CAP-WCCMLPC1](#) [2274475-3](#) [UB-20BMFA-SL8001](#) [914-614A2025S10200](#) [USB3FTV7SAGF059](#) [ZX40-B-5S-1500-](#)  
[STDA\(30\)](#) [GSB3116344HR](#) [USB3FTV2SAZNF459](#) [USB3FTV7SAZNF459](#) [U221-041N-1WVS62-F5D](#) [HYCW153-USBD05-500B](#)  
[HYCW219-USBD05-075B](#) [HYCW148-USBD05-117B](#) [HYCW149-USBD05-740B](#) [HYCW204-USBD05-108B](#) [HYCW214-USBA04-113B](#)  
[HYCW213-USBA04-113B](#) [UB-20AMFM-SL7A01](#) [KMMX-BSMT35S-1-B30TR](#) [2345986-1](#)