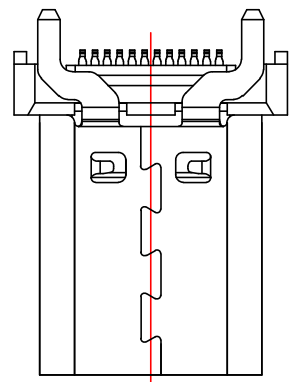
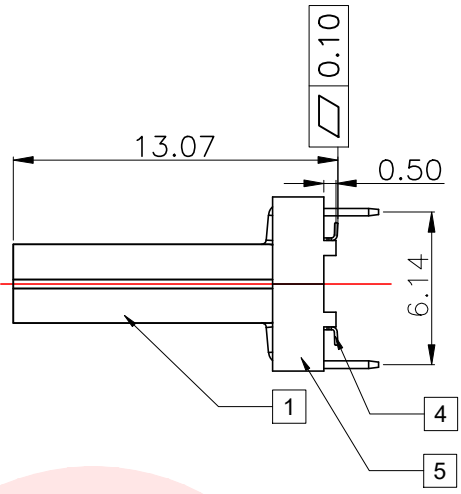
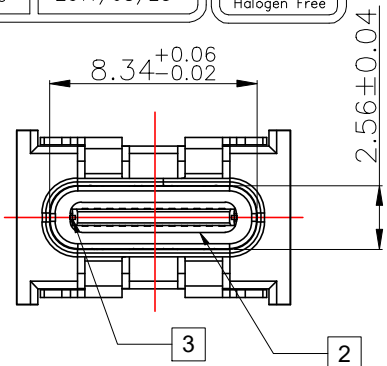
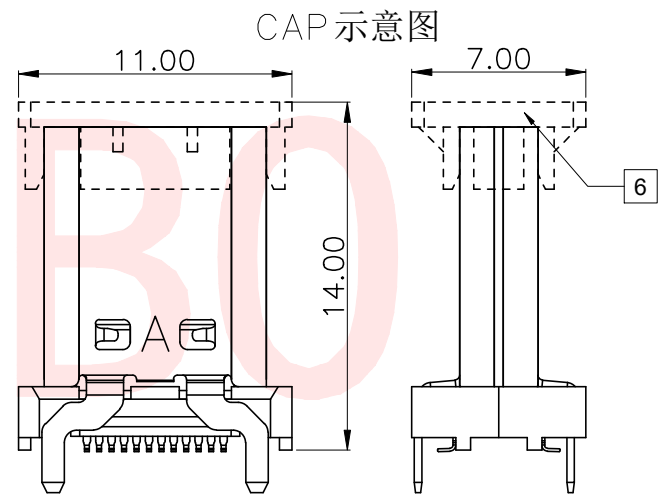




|      |                       |         |      |
|------|-----------------------|---------|------|
| REV. | ECN NO OR DESCRIPTION | REVISED | DATE |
|      |                       |         |      |

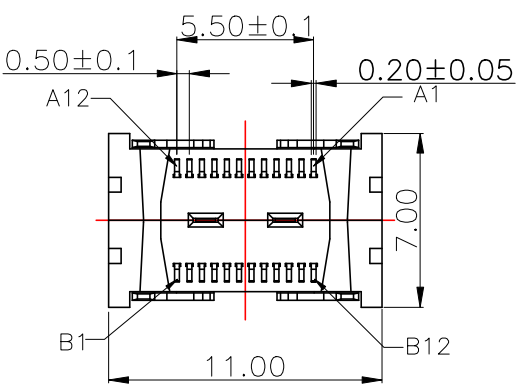
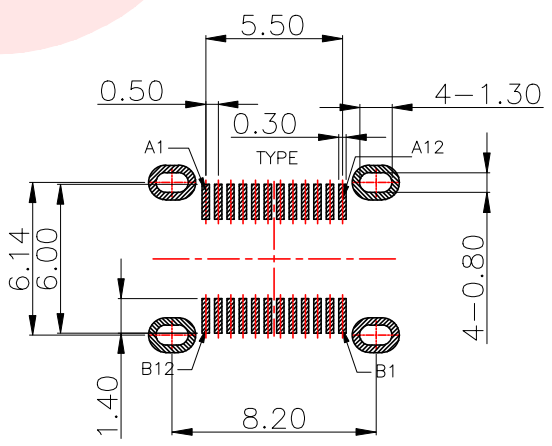
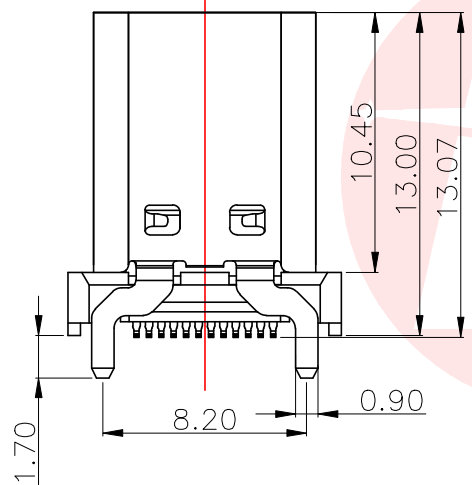
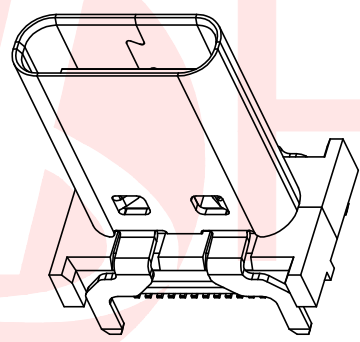


NOTE:  
 1.Contact Resistance:40mOHM Max.;  
 2.Dielectric Withstanding Voltage:100V AC For 1 Minute;  
 3.Insulation Resistance:100M OHM Min.;  
 4.Mating And unmating Force:  
 Mating Force: 5~20N  
 Unmating Force: 8~20N;  
                                 6~20N AFTER TEST;  
 5.Durability:10000 Cycles;



USB TYPE-C PIN ASSIGNMENTS

| PIN NUMBER | SIGNAL NAME | PIN NUMBER | SIGNAL NAME |
|------------|-------------|------------|-------------|
| A1         | GND         | B12        | GND         |
| A2         | SSTXp1      | B11        | SSRXp1      |
| A3         | SSTXn1      | B10        | SSRXn1      |
| A4         | Vbus        | B9         | Vbus        |
| A5         | CC1         | B8         | SBU2        |
| A6         | Dp1         | B7         | Dn2         |
| A7         | Dn1         | B6         | Dp2         |
| A8         | SBU1        | B5         | CC2         |
| A9         | Vbus        | B4         | Vbus        |
| A10        | SSRXn2      | B3         | SSTXn2      |
| A11        | SSRXp2      | B2         | SSTXp2      |
| A12        | GND         | B1         | GND         |



RECOMMEND P.C.B LAYOUT (COMPONENT SIDE)  
 TOLERANCE FOR PCB LAYOUT IS ± 0.05  
 KEEP OUT AREA

| Item | Title         | Material  | Dispose  | Q'TY |
|------|---------------|-----------|--|------|
| 1    | Shell         | SUS304    | Ni:30u" Min.                                   | 1PCS |
| 2    | GND Plate     | SUS301    |  | 2PCS |
| 3    | Mid Plate     | SUS301    |  | 1PCS |
| 4    | Contact       | C7025     | Mating Area: See P/N<br>Solder Tails: Matt Tin | 2PCS |
| 5    | InsertMolding | LCP E6808 | UL 94V-0 Black                                 | 1PCS |
| 6    | COVER         | LCP E6808 | UL 94V-0 Black                                 | 1PCS |

UNLESS OTHERWISE SPECIFIED TOLERANCES

DECIMALS: X :±0.30 X.X :±0.20 X.XX :±0.10  
 ANGLES: X :±2° X.X :±1°

东莞市汉博电子科技有限公司  
 DONGGUAN HANBO TECHNOLOGY CO., LTD

|       |  |                      |                       |
|-------|--|----------------------|-----------------------|
| TITLE | USB 3.1 TYPE C FEMALE VERTICAL H=13.0mm SMT TYPE |                      |                       |
| DWN   | xiong  | PART NO. MC-235-H130 |                       |
| CHKD  | lee  | SCALE:1:1            | UNIT: mm              |
| APVD  | wang   | SIZE: A4             | SHEET:10F / 1 REV: A4 |

CUSTOMER COPY

## X-ON Electronics

Largest Supplier of Electrical and Electronic Components

*Click to view similar products for [USB Connectors](#) category:*

*Click to view products by [Hanbo Electronic](#) manufacturer:*

Other Similar products are found below :

[950](#) [MUSBD11135](#) [17-200721](#) [217450-1](#) [KMBVX-TH-5S-B30](#) [KUSBX-AS2N-W](#) [KUSBX-SMT2AP1S-W30](#) [935](#) [957](#) [30-498-6](#) [SK-60A-2](#)  
[1734082-1](#) [30-470](#) [30-489](#) [30-541](#) [A-USB A-2P-C](#) [MIKROE-1451](#) [USBFTVSCCG](#) [1-1734084-2](#) [10135326-001LF](#) [4198](#) [USB-A-D-VT](#)  
[USB-A-S-RA-TSMT](#) [1310-1023-02](#) [690-024-633-031](#) [UB-20PMFP-LC7001](#) [17-200011](#) [UB-20AFMM-LL7A01](#) [1040870124](#) [CAP-](#)  
[WCCMLPB1](#) [CAP-WCCMLPC1](#) [2274475-3](#) [UB-20BMFA-SL8001](#) [914-614A2025S10200](#) [USB3FTV7SAGF059](#) [ZX40-B-5S-1500-](#)  
[STDA\(30\)](#) [GSB3116344HR](#) [USB3FTV2SAZNF459](#) [USB3FTV7SAZNF459](#) [U221-041N-1WVS62-F5D](#) [HYCW153-USBD05-500B](#)  
[HYCW219-USBD05-075B](#) [HYCW148-USBD05-117B](#) [HYCW149-USBD05-740B](#) [HYCW204-USBD05-108B](#) [HYCW214-USBA04-113B](#)  
[HYCW213-USBA04-113B](#) [UB-20AMFM-SL7A01](#) [KMMX-BSMT35S-1-B30TR](#) [2345986-1](#)