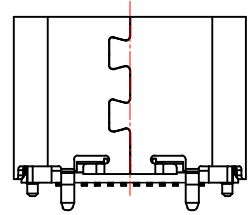
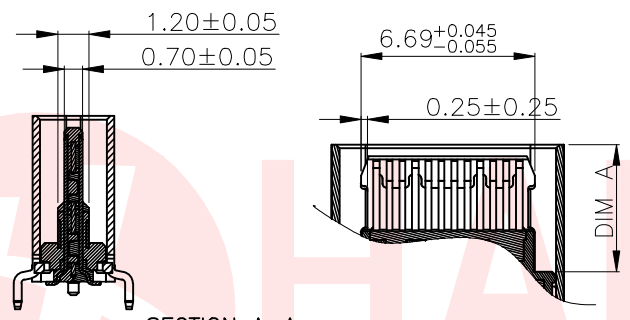
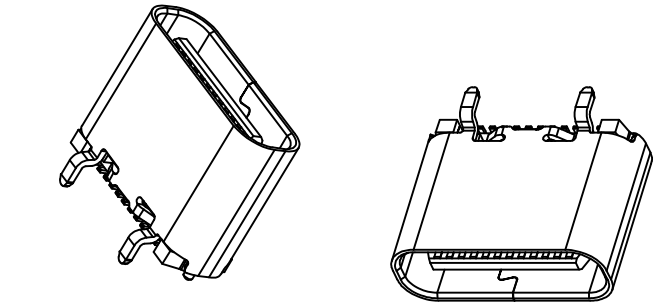
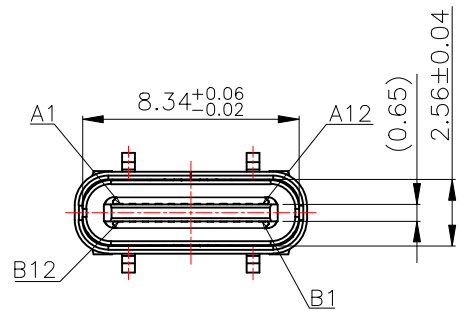


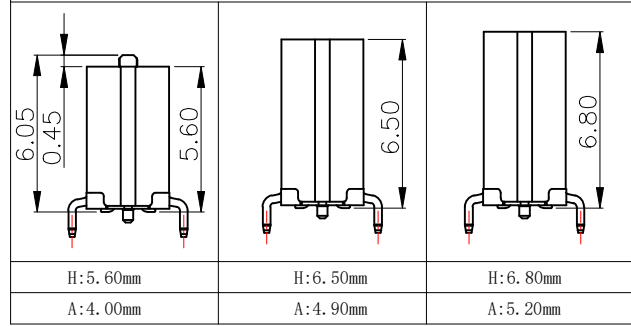
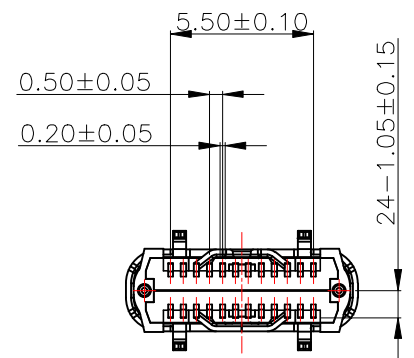
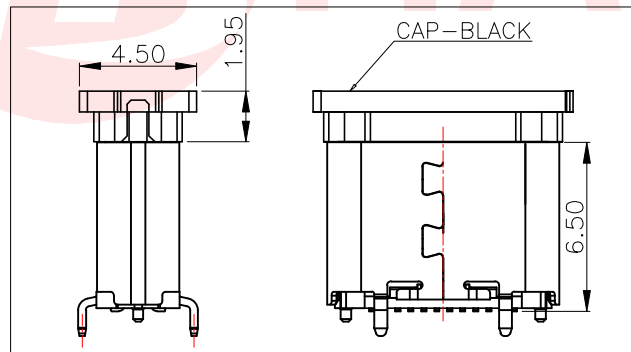
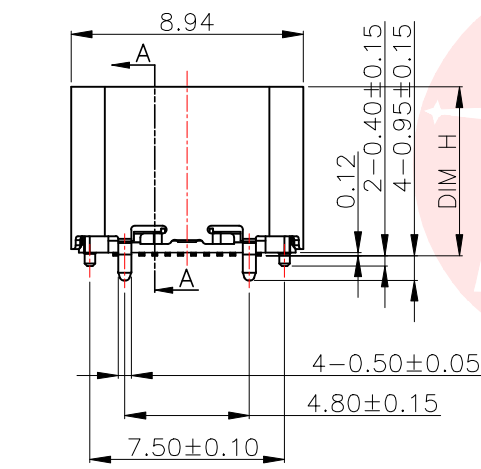


REV.	ECN NO OR DESCRIPTION	REVISED	DATE



SPECIFICATION:

- MATERIAL:
 - HOUSING&MOLDING:HIGH TEMPERATURE RESISTANT PLASTIC,UL94 V-0 COLOR:BLACK
 - CONTACTS:COPPER ALLOY T=0.12mm
 - SHELL:STAINLESS STEEL SUS304/SUS201-1/2H,SPCC,T=0.30
 - MID PLATE: STAINLESS STEEL(SUS301)T=0.15mm
 - EMI PLATE: STAINLESS STEEL(SUS301)T=0.10mm
- PLATING SPECIFICATION:
 - CONTACTS:
 - Ni 50u" MIN. UNDER PLATED OVER ALL.
 - Au PLATED ON THE MATING AREA OF CONTACT.
 - Au PLATED ON THE SOLDER AREA.
 - SHELL:Ni 30u" MIN. UNDER PLATED OVER ALL.
 - MID PLATE:CLEAR ONLY
 - EMI PLATE:CLEAR ONLY
- MECHANICAL:
 - MATING FORCE:0.5~2.0kgf;
 - UNMATING FORCE:0.8~2.0kgf. 0.6~2.0kgf AFTER DURABILITY TEST;
 - DURABILITY:10000 CYCLES;
- ELECTRICAL:
 - CURRENT RATING:5A Max;
 - VOLTAGE RATING:20V Max;
 - DIELECTRIC WITHSTANDING VOLTAGE:100VAc;
 - CONTACT RESISTANCE:40m Ohms Max.;
 - INSULATION RESISTANCE:100M Ohms Min.;
- ENVIRONMENTAL:
 - OPERATING TEMPERATURE:-40°C~+85°C;
 - WETTING TEMPERATURE:265±5°C,5±0.5s
 - Salt Spray Test:48H Min SPCC:12H



NO.	PART NAME	Q' TY	MATERIAL	FINISH
1	Shell	1	SUS304(SUS201)-1/2H, SPCC, T=0.30mm	50u"Ni Min.
2	TERMINAL	2	C7025/C2680, T=0.12mm, C5210-H	1u"Au G/F 50u"Ni Min
3	MID PLATE	1	SUS301-H, T=0.15mm	wash
4	GROUND PLATE	2	SUS301-H, T=0.10mm	wash
5	Housing	1	LCP or PA	UL 94 V-0

UNLESS OTHERWISE SPECIFIED TOLERANCES

DECIMALS: X :±0.30 X.X :±0.20 X.XX :±0.10

ANGLES: X :±2° X.X :±1°

东莞市汉博电子科技有限公司
DONGGUAN HANBO TECHNOLOGY CO., LTD

TITLE: TYPE C REC 直立式16P&24P双排SMT 5.6&6.8

DWN xiong PART NO. MC-267-XXXXXX-XXX

CHKD lee SCALE:1:1 UNIT: mm

APVD wang SIZE: A4 SHEET:10F 1 REV: A4

CUSTOMER COPY



REV.	ECN NO OR DESCRIPTION	REVISED	DATE

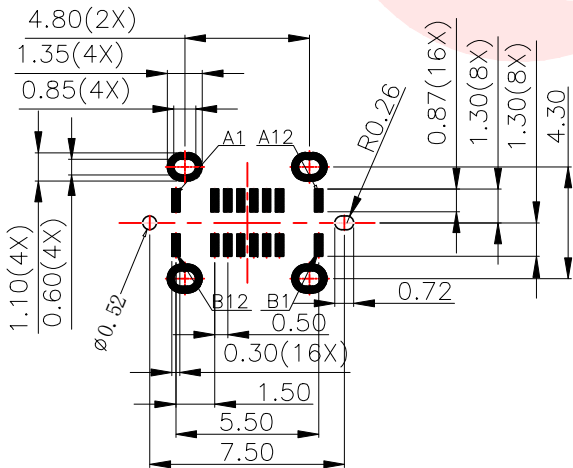
16Pin

NO.	Model Number	MATERIAL	镀金1u"	镀金3u"
1.	H5.60mm 16Pin	PA10T BLACK	MC-267-EP16H56-001	MC-267-EP16H56-003
2.		LCP BLACK	MC-267-TP16H56-001	MC-267-TP16H56-003
3.	H6.50mm 16Pin	PA10T BLACK	MC-267-EP16H65-001	MC-267-EP16H65-003
4.		LCP BLACK	MC-267-TP16H65-001	MC-267-TP16H65-003
5.	H6.80mm 16Pin	PA10T BLACK	MC-267-EP16H68-001	MC-267-EP16H68-003
6.		LCP BLACK	MC-267-TP16H68-001	MC-267-TP16H68-003

SPECIFICATION:

- MATERIAL:
 - HOUSING&MOLDING:HIGH TEMPERATURE RESISTANT PLASTIC,UL94 V-0 COLOR:BLACK
 - CONTACTS:COPPER ALLOY T=0.12mm
 - SHELL:STAINLESS STEEL SUS304/SUS201-1/2H,SPCC,T=0.30
 - MID PLATE: STAINLESS STEEL(SUS301)T=0.15mm
 - EMI PLATE: STAINLESS STEEL(SUS301)T=0.10mm
- PLATING SPECIFICATION:
 - CONTACTS:
 - Ni 50u" MIN. UNDER PLATED OVER ALL.
 - Au PLATED ON THE MATING AREA OF CONTACT.
 - Au PLATED ON THE SOLDER AREA.
 - SHELL:Ni 30u" MIN. UNDER PLATED OVER ALL.
 - MID PLATE:CLEAR ONLY
 - EMI PLATE:CLEAR ONLY
- MECHANICAL:
 - MATING FORCE:0.5~2.0kgf;
 - UNMATING FORCE:0.8~2.0kgf. 0.6~2.0kgf AFTER DURABILITY TEST;
 - DURABILITY:10000 CYCLES;
- ELECTRICAL:
 - CURRENT RATING:5A Max;
 - VOLTAGE RATING:20V Max;
 - DIELECTRIC WITHSTANDING VOLTAGE:100Vac;
 - CONTACT RESISTANCE:40m Ohms Max.;
 - INSULATION RESISTANCE:100M Ohms Min.;
- ENVIRONMENTAL:
 - OPERATING TEMPERATURE:-40°C~+85°C;
 - WETTING TEMPERATURE:265±5°C,5±0.5s
 - Salt Spray Test:48H Min SPCC:12H

RECOMMENDED P.C.B. LAYOUT(16 Pin)



USB TYPE-C 16PIN ASSIGNMENTS

PIN NUMBER	SIGNAL NAME	PIN NUMBER	SIGNAL NAME
A1	GND	B12	GND
A2	---	B11	---
A3	---	B10	---
A4	VBUS	B9	VBUS
A5	CC1	B8	SBU2
A6	Dp1	B7	Dn2
A7	Dn1	B6	Dp2
A8	SBU1	B5	CC2
A9	VBUS	B4	VBUS
A10	---	B3	---
A11	---	B2	---
A12	GND	B1	GND

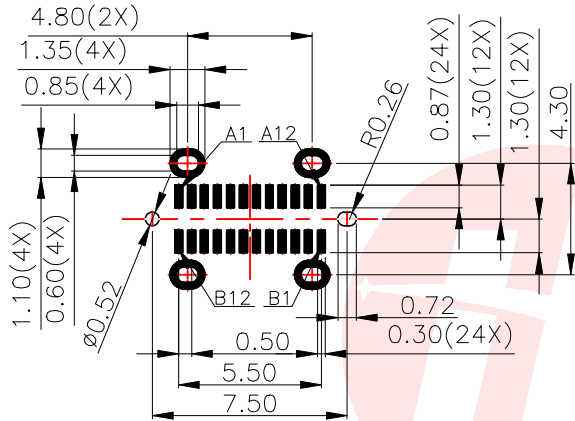
TOLERANCE UNSPECIFIED ±0.05mm
RECOMMENDED PCB THICKNESS:0.8±0.10mm

UNLESS OTHERWISE SPECIFIED TOLERANCES		东莞市汉博电子科技有限公司 DONGGUAN HANBO TECHNOLOGY CO., LTD			
DECIMALS:	ANGLES:	TITLE	TYPE C REC 直立式16P&24P双排SMT 5.6&6.8		
X :±0.30	X :±2°	DWN	xiong	PART NO. MC-267-XXXXXX-XXX	
X.X :±0.20	X.X :±1°	CHKD	lee	SCALE:1:1	UNIT: mm
X.XX :±0.10		APVD	wang	SIZE: A4	SHEET:10F 1
CUSTOMER COPY					



REV.	ECN NO OR DESCRIPTION	REVISED	DATE

RECOMMENDED P.C.B. LAYOUT(24 Pin)



TOLERANCE UNSPECIFIED $\pm 0.05\text{mm}$
 RECOMMENDED PCB THICKNESS: $0.8 \pm 0.10\text{mm}$

24Pin

NO.	Model Number	MATERIAL	镀金1u"	镀金3u"
1.	H5.60mm 24Pin	PA10T BLACK	MC-267-EP24H56-001	MC-267-EP24H56-003
2.		LCP BLACK	MC-267-TP24H56-001	MC-267-TP24H56-003
3.	H6.50mm 24Pin	PA10T BLACK	MC-267-EP24H65-001	MC-267-EP24H65-003
4.		LCP BLACK	MC-267-TP24H65-001	MC-267-TP24H65-003
5.	H6.80mm 24Pin	PA10T BLACK	MC-267-EP24H68-001	MC-267-EP24H68-003
6.		LCP BLACK	MC-267-TP24H68-001	MC-267-TP24H68-003

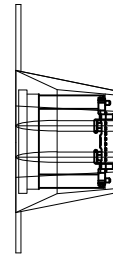
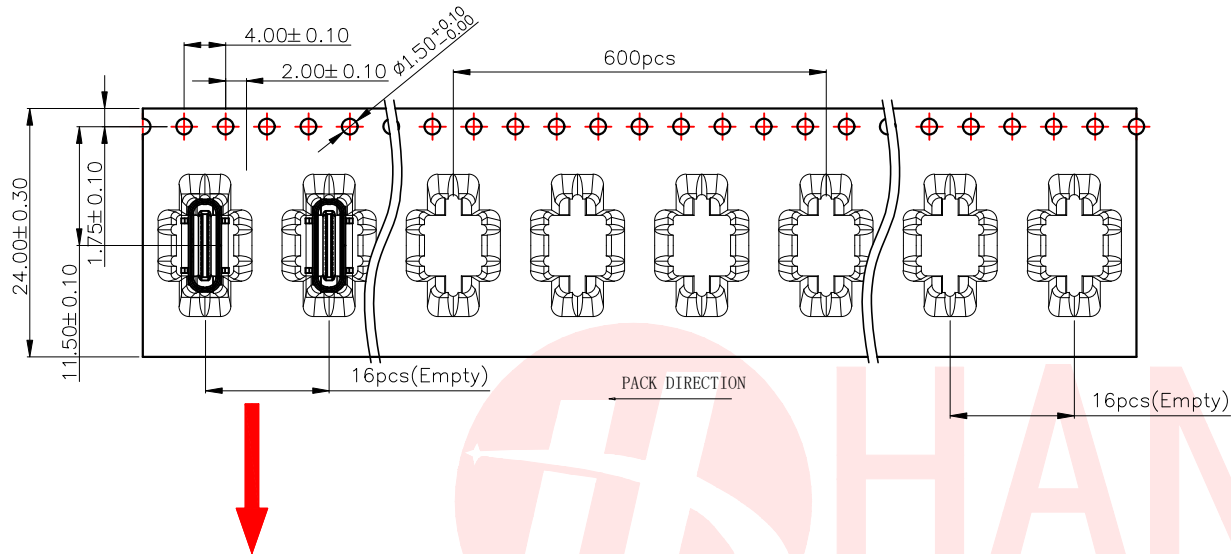
USB TYPE-C 24PIN ASSIGNMENTS

PIN NUMBER	SIGNAL NAME	PIN NUMBER	SIGNAL NAME
A1	GND	B12	GND
A2	SSTXp1	B11	SSRXp1
A3	SSTXn1	B10	SSRXn1
A4	VBUS	B9	VBUS
A5	CC1	B8	SBU2
A6	Dp1	B7	Dn2
A7	Dn1	B6	Dp2
A8	SBU1	B5	CC2
A9	VBUS	B4	VBUS
A10	SSRXn2	B3	SSTXn2
A11	SSRXp2	B2	SSTXp2
A12	GND	B1	GND

UNLESS OTHERWISE SPECIFIED TOLERANCES		东莞市汉博电子科技有限公司 DONGGUAN HANBO TECHNOLOGY CO., LTD			
DECIMALS:	ANGLES:	TITLE	TYPE C REC 直立式16P&24P双排SMT 5.6&6.8		
X : ± 0.30	X : $\pm 2^\circ$	DWN	xiong	PART NO. MC-267-XXXXXX-XXX	
X.X : ± 0.20	X.X : $\pm 1^\circ$	CHKD	lee	SCALE: 1:1	UNIT: mm
X.XX : ± 0.10		APVD	wang	SIZE: A4	SHEET: 10F 1
CUSTOMER COPY					

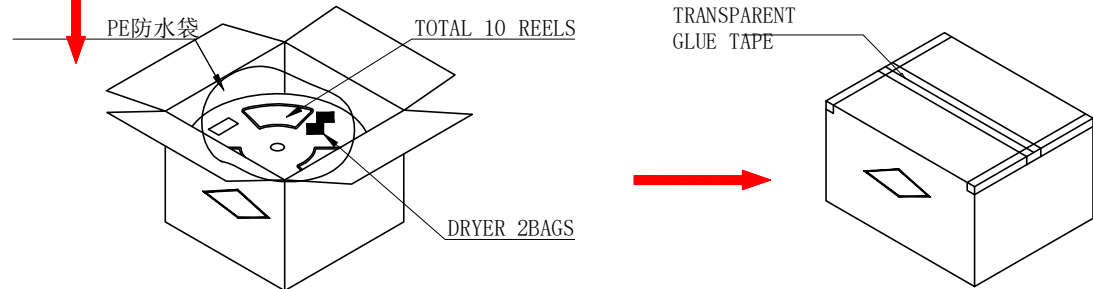
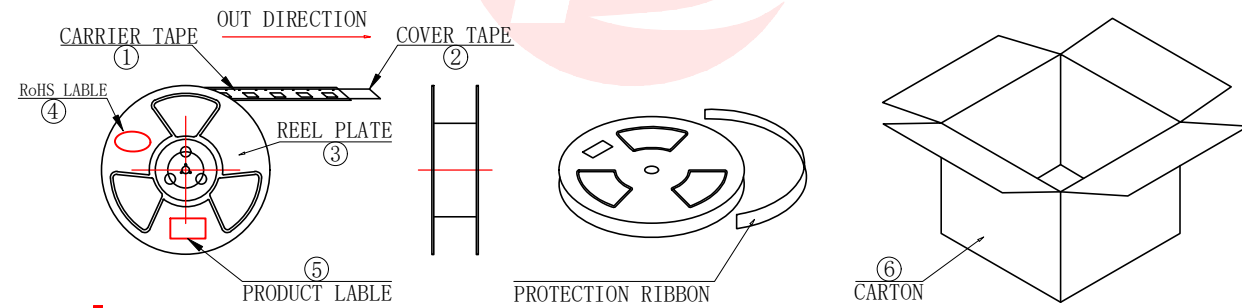


REV.	ECN NO OR DESCRIPTION	REVISED	DATE



说明:

1. 每卷前后各空16PCS, 尾部用美纹胶纸封住;
2. 将产品放满盘后, 再卷一圈保护带, 用美纹胶纸将其封住, 并贴上1Pcs物料标签;
3. 每10卷盘一叠共6000Pcs并装入1个外箱内;
4. 在搬运过程中要轻拿轻放;
5. 在运输中不可堆放过多(1.8M最高), 不可重压;
6. 跌落测试条件:
成品箱从1.2米高度自由落体(一角三棱六面):
a. 产品不可跑出下带凹槽;
b. 产品不可有摔伤, 变形;
c. 内包装材料不可严重破损.



NO.	NAME	SPEC	Q' TY
①	TYPE C RECEPTACLE		6000PCS/CARTON
②	CARRIER TAPE	W=24mm, T=0.50mm	600PCS/PLATE
③	COVER TAPE	W=21.5mm	10PLATES/CARTON
④	REEL PLATE	330*100*24.4mm	10PCS/CARTON
⑤	RoHS LABEL		10PCS/CARTON
⑥	PRODUCT LABELER		10PCS/CARTON
⑦	CARTON	350*340*310mm	1PCS/PACKAGE

UNLESS OTHERWISE SPECIFIED TOLERANCES

东莞市汉博电子科技有限公司
DONGGUAN HANBO TECHNOLOGY CO., LTD

DECIMALS:	ANGLES:	TITLE	TYPE C REC 直立式16P&24P双排SMT 5.6&6.8		
X :±0.30	X :±2°	DWN	xiong	PART NO. MC-267-XXXXXX-XXX	
X.X :±0.20	X.X :±1°	CHKD	lee	SCALE:1:1	UNIT: mm
X.XX :±0.10		APVD	wang	SIZE: A4	SHEET:10F 1
CUSTOMER COPY					

X-ON Electronics

Largest Supplier of Electrical and Electronic Components

Click to view similar products for [USB Connectors](#) category:

Click to view products by [Hanbo Electronic](#) manufacturer:

Other Similar products are found below :

[950](#) [MUSBD11135](#) [17-200721](#) [217450-1](#) [KMBVX-TH-5S-B30](#) [KUSBX-AS2N-W](#) [KUSBX-SMT2AP1S-W30](#) [935](#) [957](#) [30-498-6](#) [SK-60A-2](#)
[1734082-1](#) [30-470](#) [30-489](#) [30-541](#) [A-USB A-2P-C](#) [MIKROE-1451](#) [USBFTVSCCG](#) [1-1734084-2](#) [10135326-001LF](#) [4198](#) [USB-A-D-VT](#)
[USB-A-S-RA-TSMT](#) [1310-1023-02](#) [690-024-633-031](#) [UB-20PMFP-LC7001](#) [17-200011](#) [UB-20AFMM-LL7A01](#) [1040870124](#) [CAP-](#)
[WCCMLPB1](#) [CAP-WCCMLPC1](#) [2274475-3](#) [UB-20BMFA-SL8001](#) [914-614A2025S10200](#) [USB3FTV7SAGF059](#) [ZX40-B-5S-1500-](#)
[STDA\(30\)](#) [GSB3116344HR](#) [USB3FTV2SAZNF459](#) [USB3FTV7SAZNF459](#) [U221-041N-1WVS62-F5D](#) [HYCW153-USBD05-500B](#)
[HYCW219-USBD05-075B](#) [HYCW148-USBD05-117B](#) [HYCW149-USBD05-740B](#) [HYCW204-USBD05-108B](#) [HYCW214-USBA04-113B](#)
[HYCW213-USBA04-113B](#) [UB-20AMFM-SL7A01](#) [KMMX-BSMT35S-1-B30TR](#) [2345986-1](#)