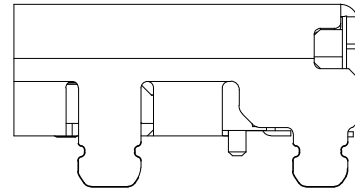
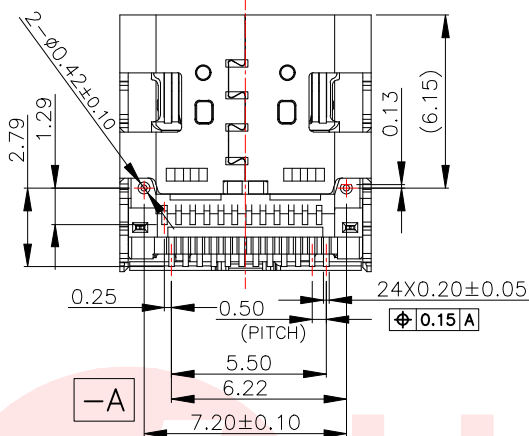
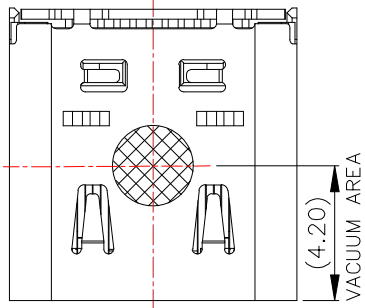
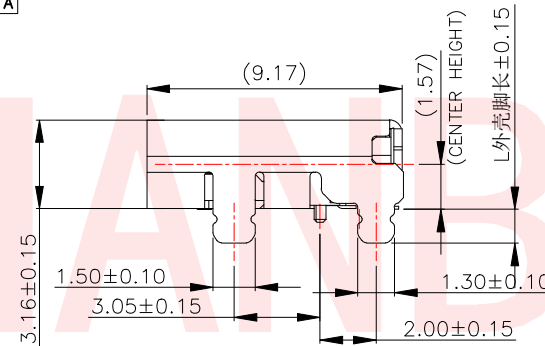
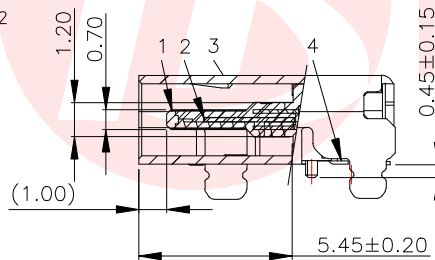
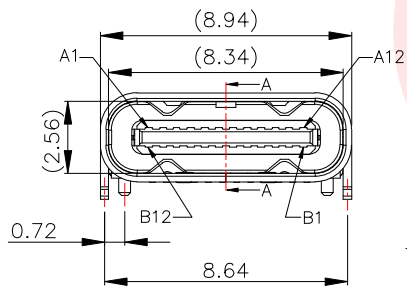




REV.	ECN NO OR DESCRIPTION	REVISED	DATE



MC-272-EP24Z16-003	1.60
MC-272-EP24Z12-003	1.20
MC-272-EP24Z09-003	0.90
MC-272-EP24Z06-003	0.60
料号	壳脚长L



PART NO.
MC-272-EP24ZXX-XXX

001=镀金1u"
003=镀金3u"
005=镀金5u"
015=镀金15u"
030=镀金30u"

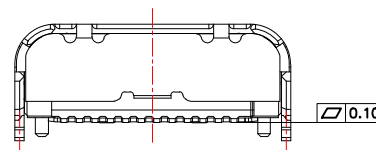
PIN ASSIGNMENT:

A1	A2	A3	A4	A5	A6	A7	A8	A9	A10	A11	A12
GND	TX1+	TX1-	Vbus	CC1	D+	D-	SBU1	Vbus	RX2-	RX2+	GND
GND	RX1+	RX1-	Vbus	SBU2	D-	D+	CC2	Vbus	TX2-	TX2+	GND
B12	B11	B10	B9	B8	B7	B6	B5	B4	B3	B2	B1

NOTE/注释:

1. SPECIFICATION/规格:

- 1.1 Rated current (额定电流): 5.0 A
- 1.2 Voltage rating (额定电压): 5V AC
- 1.3 Contact Resistance (接触阻抗): 40 m Ω Max.
- 1.4 Insulation Resistance (绝缘阻抗): 100MΩ Min.
- 1.5 Withstanding voltage (耐电压): 100 VAC/minute
- 1.6 Mating force (插入力): 5~20N .
- 1.7 Unmating force (拔出力): 8~20N.
- 1.8 Durability Cycle(寿命循环):10,000 cycle
- 1.9 Operating temperature (工作温度): -40°~+85°



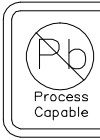
4	TERMINAL	24	COPPER ALLOY	MATING SIDE:SEE PART NO; SOLDER TAIL:Gold FLASH, 50u" NICKEL OVERALL.	T=0.12
3	SHELL	1	SUS304	30U" NICKEL PLATING	T=0.30
2	MID PLATE	1	SUS301-H	RINSE	T=0.15
1	MAIN HOUSING	1	HIGH TEMPERATURE	PA9T BLACK	UL94V-0
ITEM	DESCRIPTION	Q'TY	MATERIAL	FINISH	REMARK
BILL OF MATERIAL					

UNLESS OTHERWISE SPECIFIED TOLERANCES



东莞市汉博电子科技有限公司
DONGGUAN HANBO TECHNOLOGY CO., LTD

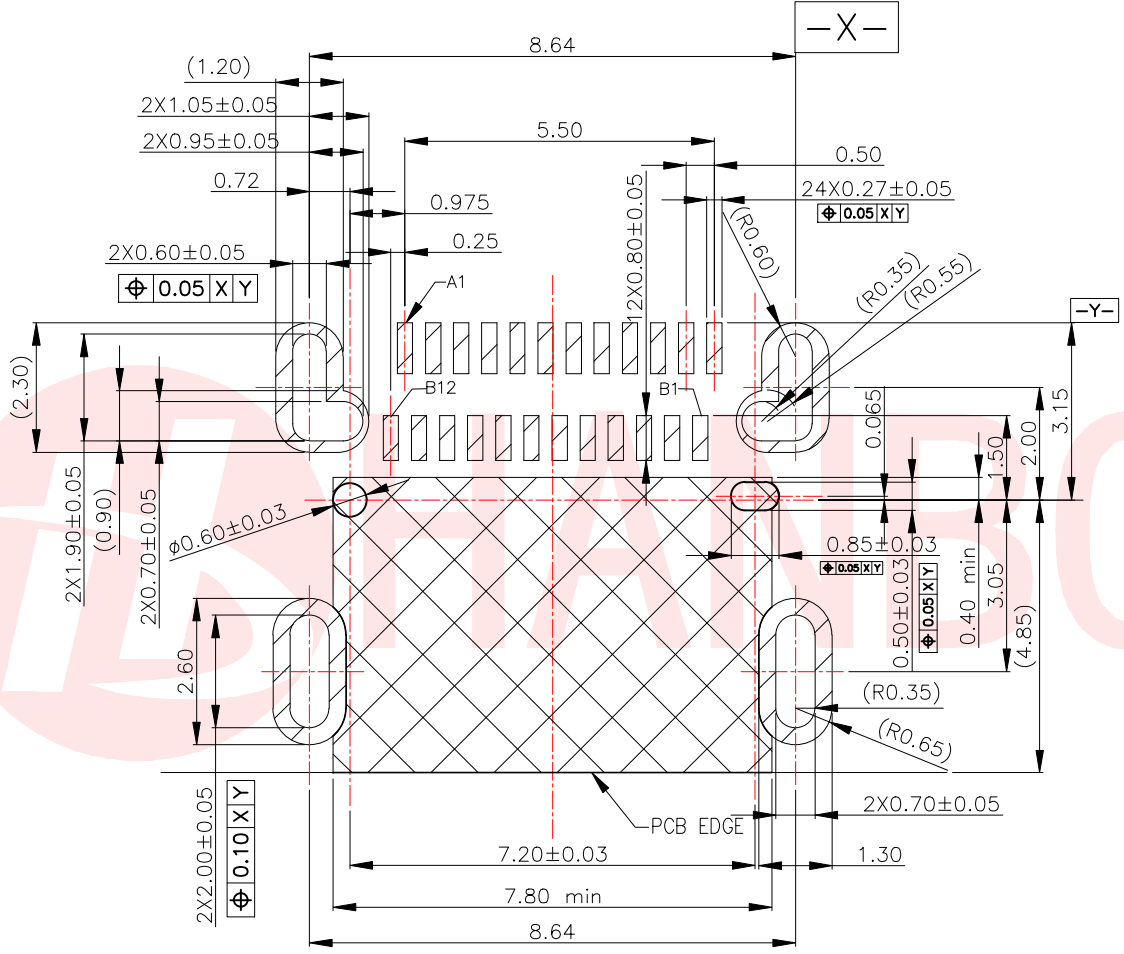
DECIMALS:	ANGLES:	TITLE	USB TYPE C 4.0母座有后盖单壳双贴SMT 板上平贴CH=1.57,L=9.17		
X :±0.30	X :±2°	DWN	xiong	PART NO. MC-272-EP24ZXX-003	
X.X :±0.20	X.X :±1°	CHKD	lee	SCALE:1:1	UNIT: mm
X.XX :±0.10		APVD	wang	SIZE: A4	SHEET:1OF 1
CUSTOMER COPY					



RoHS
Compliant
2011/65/EU



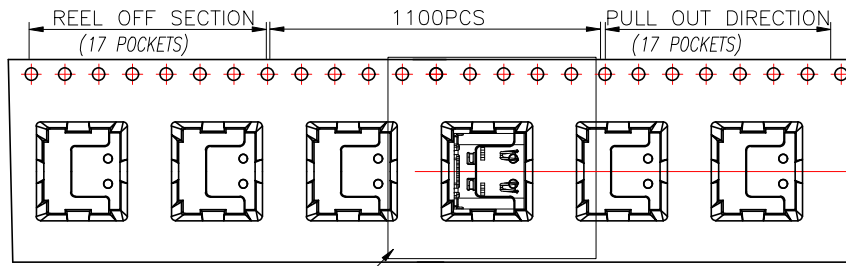
REV.	ECN NO OR DESCRIPTION	REVISED	DATE



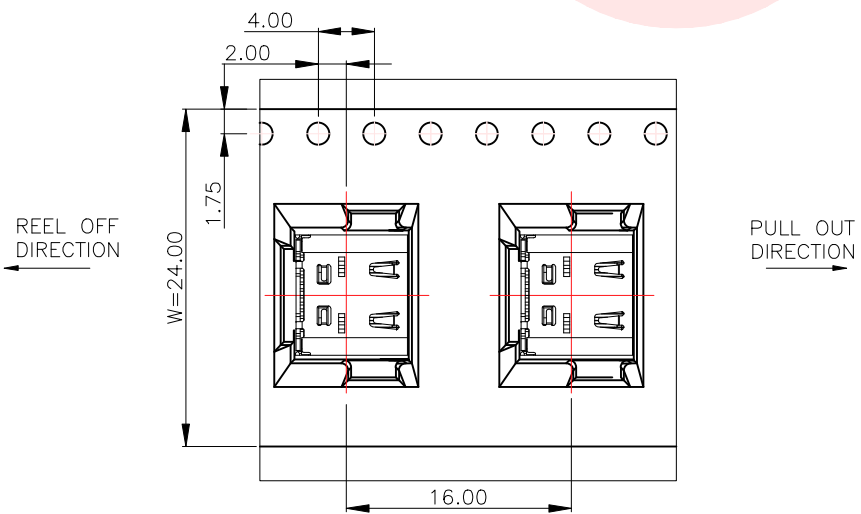
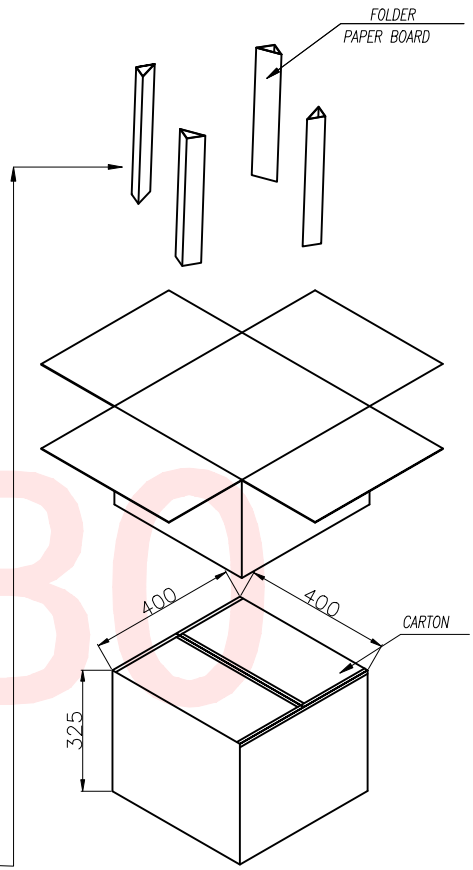
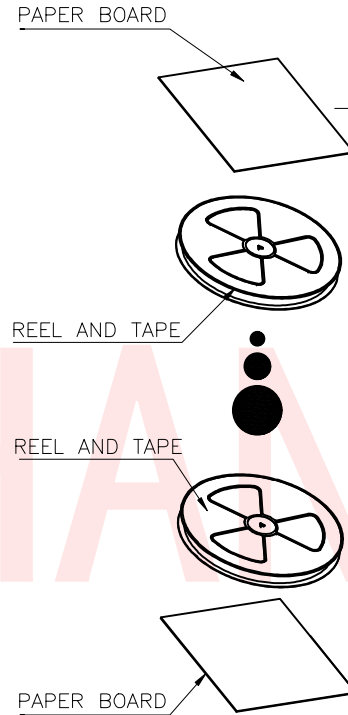
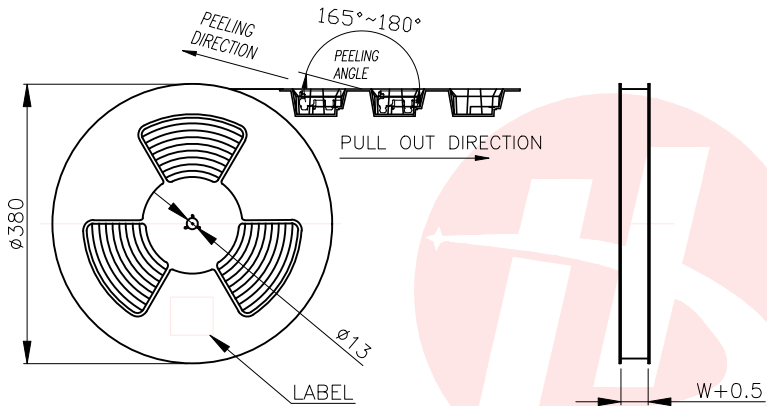
UNLESS OTHERWISE SPECIFIED TOLERANCES		东莞市汉博电子科技有限公司 DONGGUAN HANBO TECHNOLOGY CO., LTD		
DECIMALS:		TITLE		
X	:±0.30	USB TYPE C 4.0母座有后盖单壳双贴SMT 板上平贴CH=1.57,L=9.17		
X.X	:±0.20	DWN	xiong	PART NO. MC-272-EP24ZXX-003
X.XX	:±0.10	CHKD	lee	SCALE:1:1
		APVD	wang	UNIT: mm
				SIZE: A4
				SHEET:10F 1
				REV: A4
CUSTOMER COPY				



REV.	ECN NO OR DESCRIPTION	REVISED	DATE



SEE DETAIL X



	REEL	CARTON
CONNECTOR (PCS)	1100	11000
UNLESS OTHERWISE SPECIFIED TOLERANCES	东莞市汉博电子科技有限公司 DONGGUAN HANBO TECHNOLOGY CO., LTD	
DECIMALS: X :±0.30	TITLE USB TYPE C 4.0母座有后盖单壳双贴SMT 板上平贴CH=1.57,L=9.17	
ANGLES: X.X :±2°	DWN xiong	PART NO. MC-272-EP24ZXX-003
X.XX :±0.20	CHKD lee	SCALE:1:1 UNIT: mm
X.XX :±0.10	APVD wang	SIZE: A4 SHEET:10F 1 REV: A4
CUSTOMER COPY		

X-ON Electronics

Largest Supplier of Electrical and Electronic Components

Click to view similar products for [USB Connectors](#) category:

Click to view products by [Hanbo Electronic](#) manufacturer:

Other Similar products are found below :

[950](#) [MUSBD11135](#) [17-200721](#) [217450-1](#) [KMBVX-TH-5S-B30](#) [KUSBX-AS2N-W](#) [KUSBX-SMT2AP1S-W30](#) [935](#) [957](#) [30-498-6](#) [SK-60A-2](#)
[1734082-1](#) [30-470](#) [30-489](#) [30-541](#) [A-USB A-2P-C](#) [MIKROE-1451](#) [USBFTVSCCG](#) [1-1734084-2](#) [10135326-001LF](#) [4198](#) [USB-A-D-VT](#)
[USB-A-S-RA-TSMT](#) [1310-1023-02](#) [690-024-633-031](#) [UB-20PMFP-LC7001](#) [17-200011](#) [UB-20AFMM-LL7A01](#) [1040870124](#) [CAP-](#)
[WCCMLPB1](#) [CAP-WCCMLPC1](#) [2274475-3](#) [UB-20BMFA-SL8001](#) [914-614A2025S10200](#) [USB3FTV7SAGF059](#) [ZX40-B-5S-1500-](#)
[STDA\(30\)](#) [GSB3116344HR](#) [USB3FTV2SAZNF459](#) [USB3FTV7SAZNF459](#) [U221-041N-1WVS62-F5D](#) [HYCW153-USBD05-500B](#)
[HYCW219-USBD05-075B](#) [HYCW148-USBD05-117B](#) [HYCW149-USBD05-740B](#) [HYCW204-USBD05-108B](#) [HYCW214-USBA04-113B](#)
[HYCW213-USBA04-113B](#) [UB-20AMFM-SL7A01](#) [KMMX-BSMT35S-1-B30TR](#) [2345986-1](#)