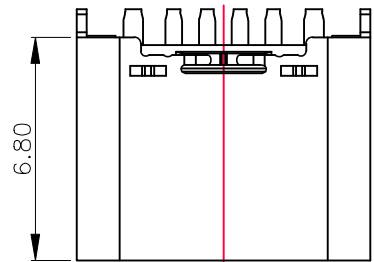
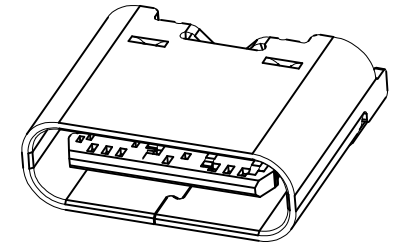


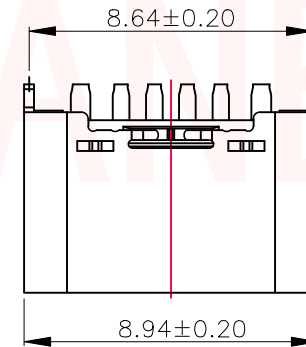
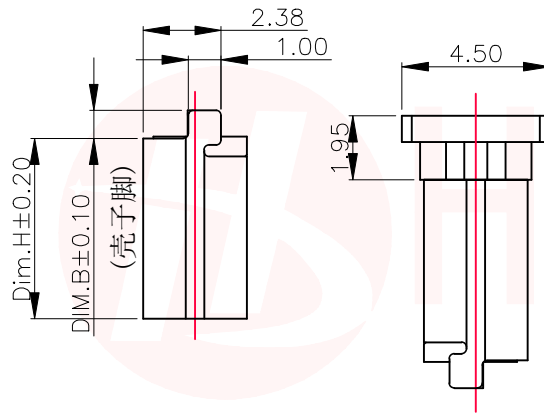
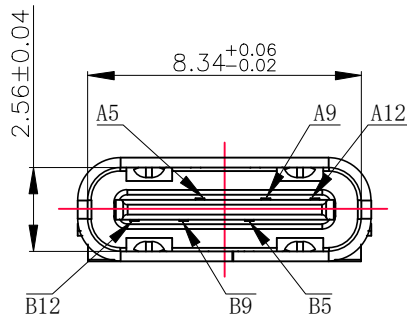
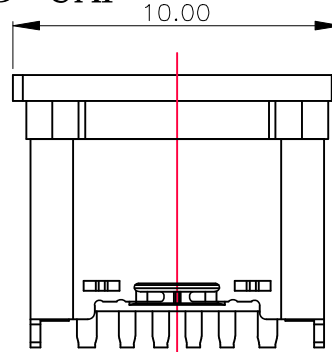
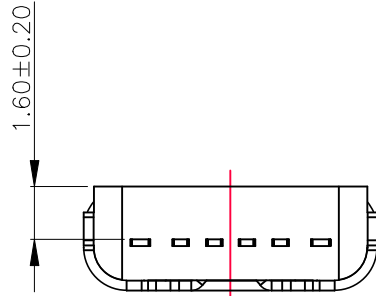


REV.	ECN NO OR DESCRIPTION	REVISED	DATE

ADD CAP



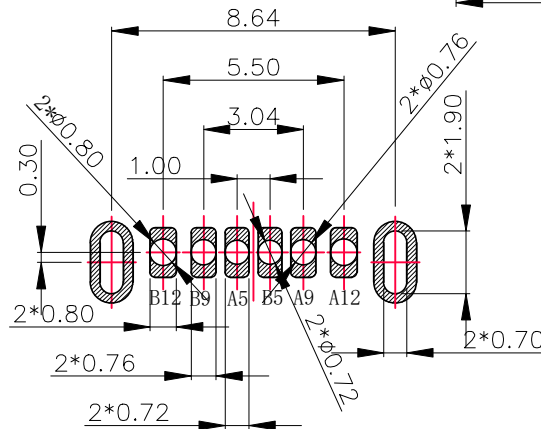
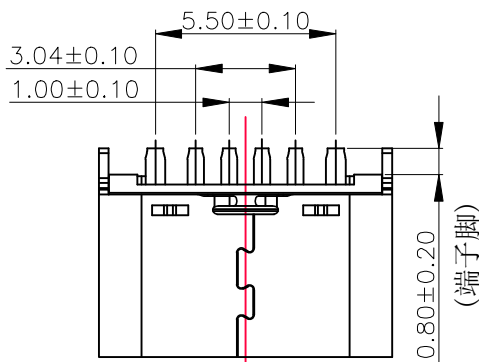
H=6.80



SPECIFICATION:

- Material & Finish: See the list;
- Mechanical:
 - Mating force: 5-20Nf;
 - Unmating force: 6-20Nf;
 - Durability: 3000 Cycles;
- Electrical:
 - Current Rating: 3A Max.;
 - Voltage Rating: 20V Max.;
 - Dielectric Withstanding voltage: 100Vac;
 - Contact resistance: 40m Ohms Max.;
 - Insulation Resistance: 100M Ohms Min.;
- Environmental:
 - Operating temperature: -40° C ~ +85° C;
 - Salt Spray Test: 24H Min. (No oxidation or rust);
 - Wetting Temperature: 265 ± 5° C, 5 ± 0.5s

A5	CC1	B5	CC2
A9	VBUS	B9	VBUS
A12	GND	B12	GND
PIN	SIGNAL	PIN	SIGNAL



RECOMMENDED PCB LAYOUT
TOP VIEW, TOL ± 0.05mm

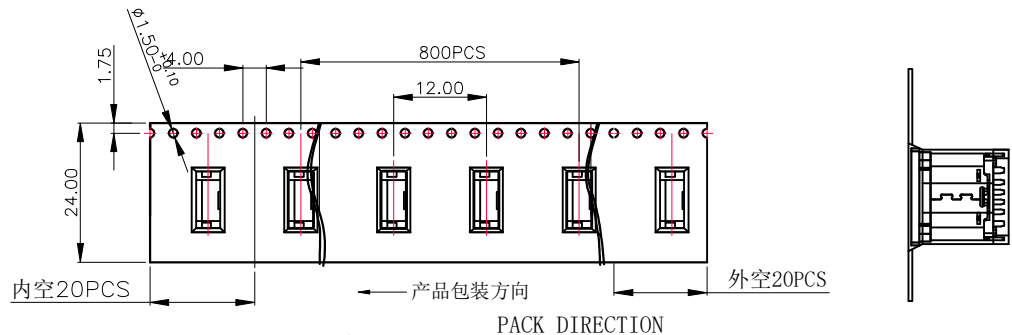
NO.	PART NAME	Q' TY	MATERIAL	FINISH
3	Shell	1	SUS201 T=0.30mm	50u"Ni Min.
2	Housing	1	LCP	UL 94 V-0
1	Contact	1	C5191-H/C2680-EH T=0.20mm	Au/50u"Ni Min.

UNLESS OTHERWISE SPECIFIED TOLERANCES		东莞市汉博电子科技有限公司 DONGGUAN HANBO TECHNOLOGY CO., LTD			
DECIMALS:	ANGLES:	TITLE	TYPE-C 6PIN 立式插板 6.8mm DIP		
X : ±0.50	.X° : ±3.0°	DWN	xiong	PART NO. MC-305LD	
.X : ±0.35	.XX° : ±2.5°	CHKD	lee	SCALE: 1:1	UNIT: mm
.XX : ±0.25	.XXX° : ±2.0°	APVD	wang	SIZE: A4	SHEET: 1 OF 1
.XXX : ±0.15					REV: A4
CUSTOMER COPY					



REV.	ECN NO OR DESCRIPTION	REVISED	DATE

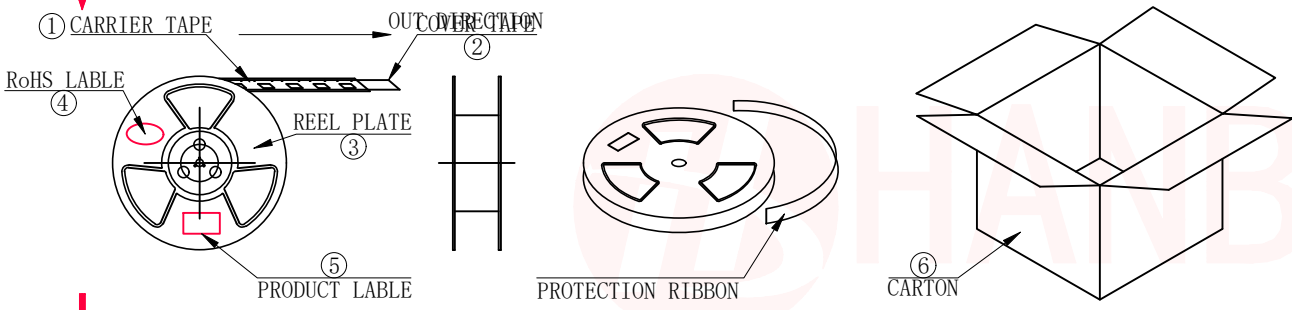
A



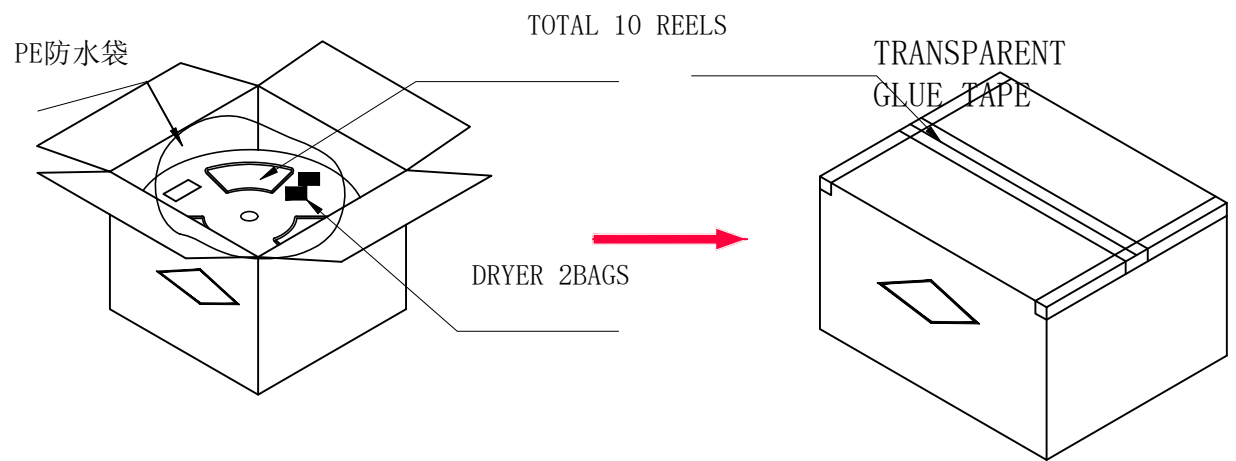
说明:

1. 每卷前后各空20PCS, 尾部用美纹胶纸封住;
2. 将产品放满盘后, 再卷一圈保护带, 用美纹胶纸将其封住, 并贴上1Pcs物料标签;
3. 每10卷盘一叠共8000Pcs装入1个外箱内;
4. 在搬运过程中要轻拿轻放;
5. 在运输中不可堆放过多(1.8M最高), 不可重压;
6. 跌落测试条件:
成品箱从1.2米高度自由落体(一角三棱六面):
a. 产品不可跑出下带凹槽;
b. 产品不可有摔伤, 变形;
c. 内包装材料不可严重破损.
7. 环保要求: 符合RoHs 2.0&HF环保要求.

B



C



NO.	NAME		Q' TY
①	TYPE C RECEPTACLE	W=24mm, T=0.40mm	8000PCS/CARTON
①	CARRIER TAPE	W=21.3mm	800PCS/PLATE
②	COVER TAPE	330*100*24.4mm	10PLATES/CARTON
③	REEL PLATE		10PCS/CARTON
④	RoHS LABEL		10PCS/CARTON
⑤	PRODUCT LABER	340*340*310mm	10PCS/CARTON
⑥	CARTON		1PCS/PACKAGE

D

UNLESS OTHERWISE SPECIFIED TOLERANCES		东莞市汉博电子科技有限公司 DONGGUAN HANBO TECHNOLOGY CO., LTD			
DECIMALS:	ANGLES:	TITLE	TYPE-C 6PIN 立式插板6.8mm DIP		
X : ±0.50	.X° : ±3.0°	DWN	xiong	PART NO. MC-305LD	
.X : ±0.35	.XX° : ±2.5°	CHKD	lee	SCALE: 1:1	UNIT: mm
.XX : ±0.25	.XXX° : ±2.0°	APVD	wang	SIZE: A4	SHEET: 10F 1
.XXX : ±0.15					REV: A4
CUSTOMER COPY					

1

2

3

4

5

6

X-ON Electronics

Largest Supplier of Electrical and Electronic Components

Click to view similar products for [USB Connectors](#) category:

Click to view products by [Hanbo Electronic](#) manufacturer:

Other Similar products are found below :

[950](#) [A-USB B-TOP-C](#) [MUSBA511N5](#) [MUSBC111M5](#) [MUSBD11135](#) [17-200721](#) [217450-1](#) [KMBVX-TH-5S-B30](#) [896-30-004-00-000000](#)
[KUSBX-AS2N-W](#) [KUSBX-SMT2AP1S-W30](#) [935](#) [957](#) [30-498-6](#) [SK-60A-2](#) [1734082-1](#) [30-1574](#) [30-470](#) [30-489](#) [30-541](#) [A-USB A-2P-C](#)
[MIKROE-1451](#) [USBFTV2PEM2G](#) [USBFTVSCCG](#) [4689-1](#) [1-1734084-2](#) [MUSBC11135](#) [USBF21ZNSCC](#) [USBBFTV6ZC](#) [MUSBB151341](#)
[10135326-001LF](#) [M9177/3-1](#) [TJ-105](#) [USB-A-S-F-B-VT](#) [4198](#) [690-024-633-031](#) [UB-20PMFP-LC7001](#) [USBFTVC6MRG](#) [UA-20BMFA-](#)
[SL8001](#) [17-200011](#) [USBFTVC7ZC](#) [UB-20AFMM-LL7A01](#) [USBFTVC2MN](#) [CAP-WCCMLPB1](#) [1310-1031-01](#) [2041386-1](#) [2274475-3](#) [UB-](#)
[20BMFA-SL8001](#) [UB-20PMFP-SC8003](#) [914-614A2025S10200](#)