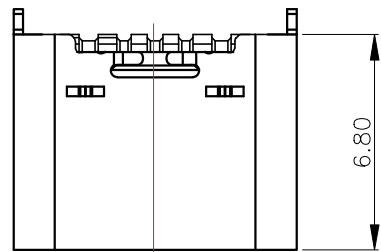
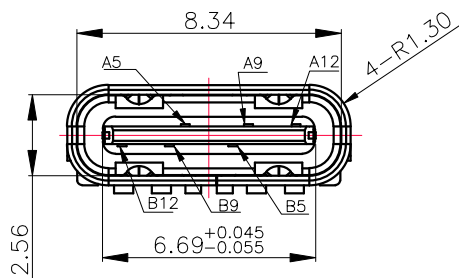
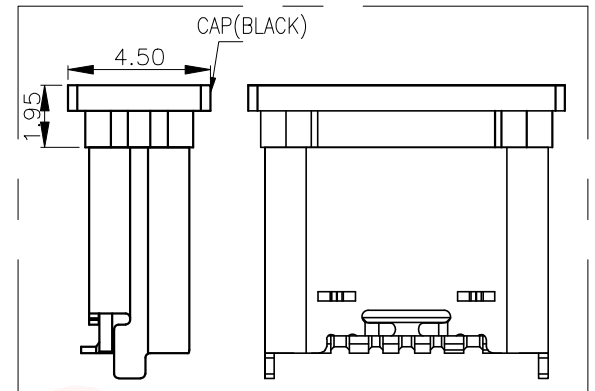
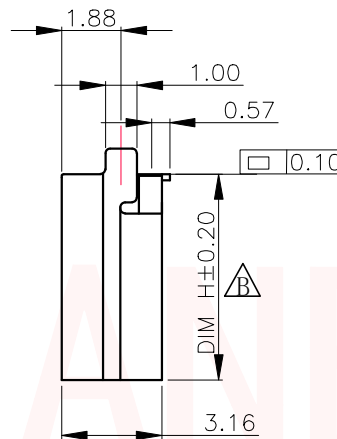
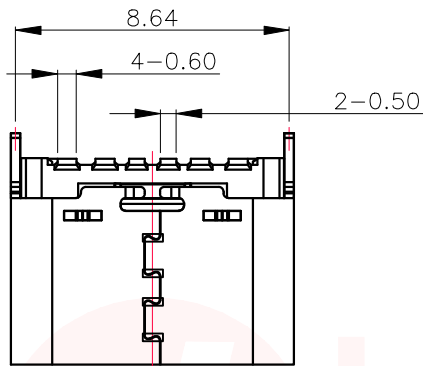




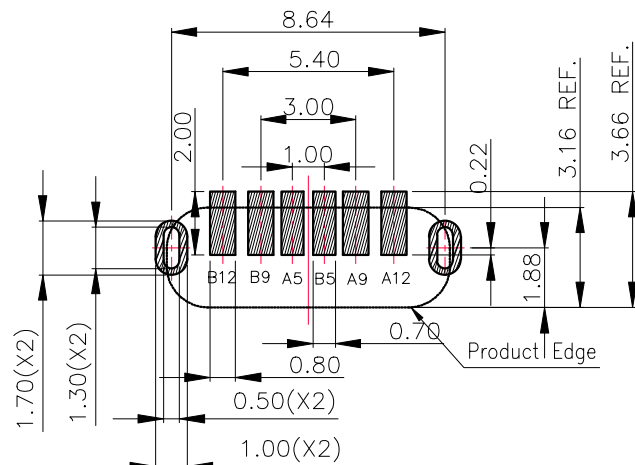
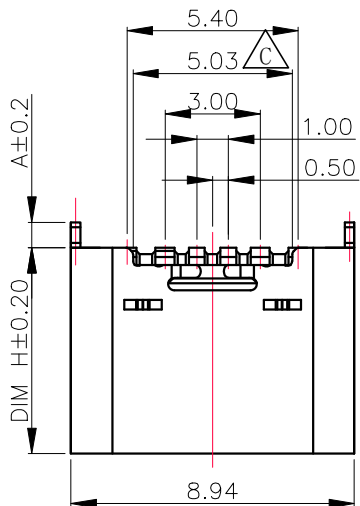
| REV. | ECN NO OR DESCRIPTION | REVISED | DATE |
|------|-----------------------|---------|------|
| | | | |



H=6.80



| | | | |
|-----|-------------|-----|-------------|
| A5 | CC1 | B5 | CC2 |
| A9 | VBUS | B9 | VBUS |
| A12 | GND | B12 | GND |
| PIN | SIGNAL NAME | PIN | SIGNAL NAME |



Recommend PCB Layout
(Tol:±0.05,T=1.0±0.05mm)

SPECIFICATION:

- Material:
HOUSING&MOLDING:LCP, UL94 V-0
CONTACTS:C5191R-H
SHELL:SUS, T=0.30
- Mechanical:
2.1. Mating force:5~20Nf Max. ;
2.2. Unmating force:6~20Nf Min. ;
2.3. Durability:3000 Cycles;
- Electrical:
3.1. Current Rating:3A Max. ;
3.2. Voltage Rating:20V Max. ;
3.3. Dielectric Withstanding voltage:100VAc;
3.4. Contact resistance:40m Ohms Max. ;
3.5. Insulation Resistance:100M Ohms Min. ;
- Environmental:
4.1. Operating temperature:-40° C~+85° C;
4.2. Wetting Temperature:265±5° C, 5±0.5s

UNLESS OTHERWISE SPECIFIED TOLERANCES

DECIMALS: X±0.50
.X±0.35
.XX±0.25
.XXX±0.15

ANGLES: X :±2°
X.X :±1°



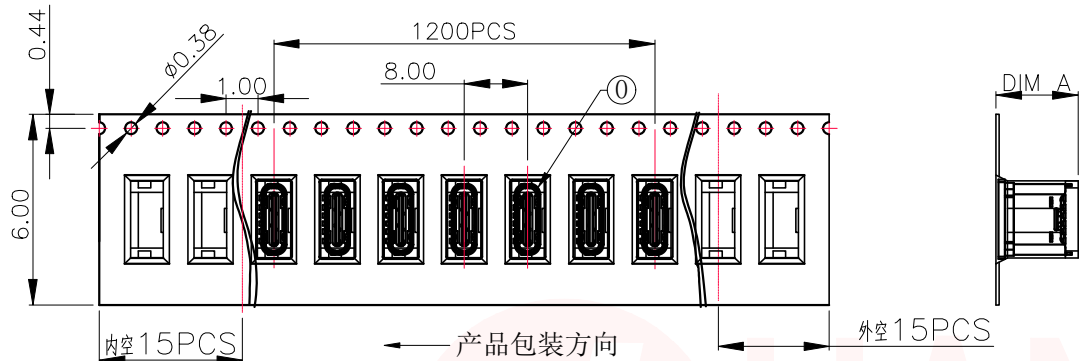
东莞市汉博电子科技有限公司
DONGGUAN HANBO TECHNOLOGY CO., LTD

| TITLE | USB TYPE C 6PIN SMT 立贴 | | |
|-------|------------------------|-----------|-------------|
| DWN | xiong | PART NO. | MC-306LS |
| CHKD | lee | SCALE:1:1 | UNIT: mm |
| APVD | wang | SIZE: A4 | SHEET:10F 1 |
| | | REV: A4 | |

CUSTOMER COPY

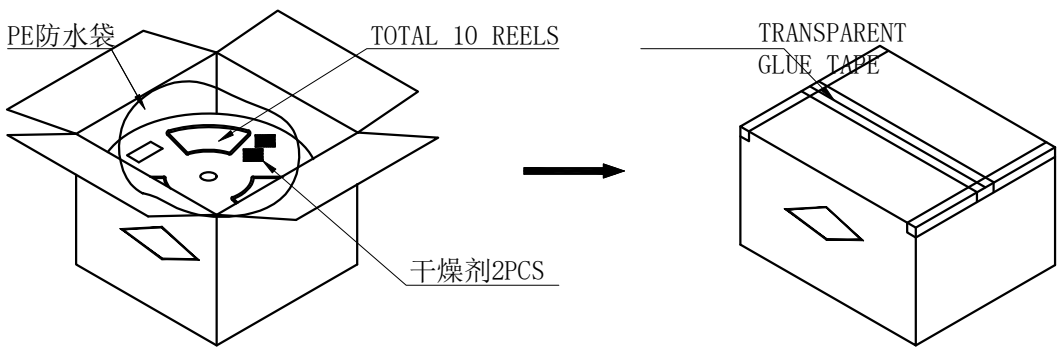
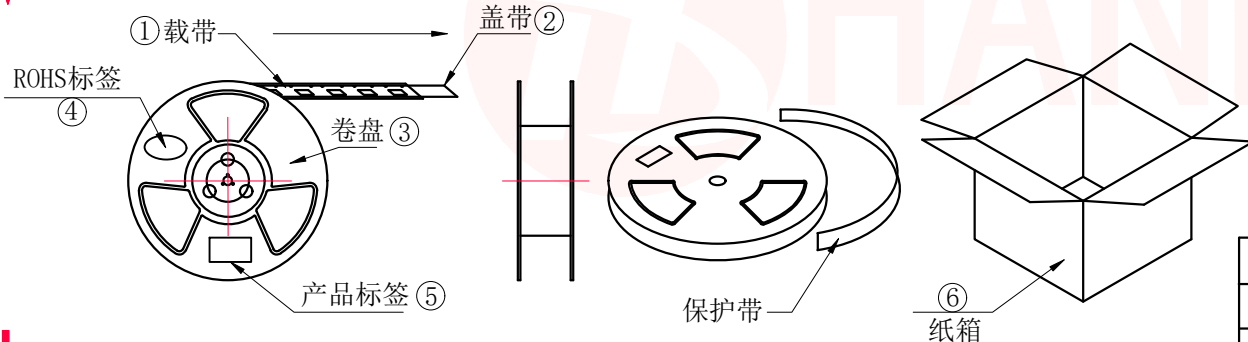


| REV. | ECN NO OR DESCRIPTION | REVISED | DATE |
|------|-----------------------|---------|------|
| | | | |



说明:

1. 每卷前后各空15PCS, 尾部用美纹胶纸封住;
2. 将产品放满盘后, 再卷一圈保护带, 用美纹胶纸将其封住, 并贴上1Pcs物料标签;
3. 每10卷盘一叠共12000Pcs装入1个外箱内;
4. 在搬运过程中要轻拿轻放;
5. 在运输中不可堆放过多(1.8M最高), 不可重压;
6. 跌落测试条件:
成品箱从1.2米高度自由落体(一角三棱六面):
a. 产品不可跑出下带凹槽;
b. 产品不可有摔伤, 变形;
c. 内包装材料不可严重破损.



| NO. | NAME | SPEC | Q' TY |
|-----|---------------|------------------|------------|
| ① | TYPE C 6P母座成品 | | 12000PCS/箱 |
| ② | 载带 | W=24mm, T=0.40mm | 1200PCS/盘 |
| ③ | 盖带 | W=21.3mm | |
| ④ | 卷盘 | 380*100*24.4mm | 10PCS/箱 |
| ⑤ | ROHS标签 | | 10PCS/箱 |
| ⑥ | 产品标签 | | 10PCS/箱 |
| ⑦ | 纸箱 | 390*390*310mm | 12000PCS/箱 |

| | | | | |
|---------------------------------------|-------------------|---|------------------------|----------------------|
| UNLESS OTHERWISE SPECIFIED TOLERANCES | | 东莞市汉博电子科技有限公司 DONGGUAN HANBO TECHNOLOGY CO., LTD | | |
| DECIMALS: X±0.50 | ANGLES: X :±2° | TITLE | USB TYPE C 6PIN SMT 立贴 | |
| .X±0.35 | X.X :±1° | DWN | xiong | PART NO. MC-306LS |
| .XX±0.25 | | CHKD | lee | SCALE:1:1 UNIT: mm |
| .XXX±0.15 | | APVD | wang | SIZE: A4 SHEET:10F 1 |
| | | | | REV: A4 |
| CUSTOMER COPY | | | | |

X-ON Electronics

Largest Supplier of Electrical and Electronic Components

Click to view similar products for [USB Connectors](#) category:

Click to view products by [Hanbo Electronic](#) manufacturer:

Other Similar products are found below :

[950](#) [A-USB B-TOP-C](#) [MUSBA511N5](#) [MUSBC111M5](#) [MUSBD11135](#) [17-200721](#) [217450-1](#) [KMBVX-TH-5S-B30](#) [896-30-004-00-000000](#)
[KUSBX-AS2N-W](#) [KUSBX-SMT2AP1S-W30](#) [935](#) [957](#) [30-498-6](#) [SK-60A-2](#) [1734082-1](#) [30-1574](#) [30-470](#) [30-489](#) [30-541](#) [A-USB A-2P-C](#)
[MIKROE-1451](#) [USBFTV2PEM2G](#) [USBFTVSCCG](#) [4689-1](#) [1-1734084-2](#) [MUSBC11135](#) [USBF21ZNSCC](#) [USBBFTV6ZC](#) [MUSBB151341](#)
[10135326-001LF](#) [M9177/3-1](#) [TJ-105](#) [USB-A-S-F-B-VT](#) [4198](#) [690-024-633-031](#) [UB-20PMFP-LC7001](#) [USBFTVC6MRG](#) [UA-20BMFA-](#)
[SL8001](#) [17-200011](#) [USBFTVC7ZC](#) [UB-20AFMM-LL7A01](#) [USBFTVC2MN](#) [CAP-WCCMLPB1](#) [1310-1031-01](#) [2041386-1](#) [2274475-3](#) [UB-](#)
[20BMFA-SL8001](#) [UB-20PMFP-SC8003](#) [914-614A2025S10200](#)