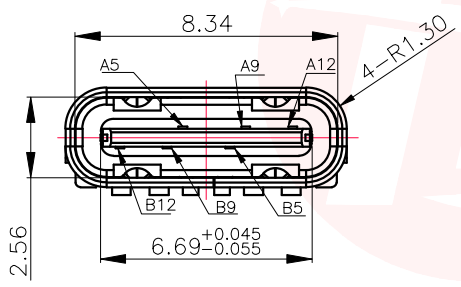
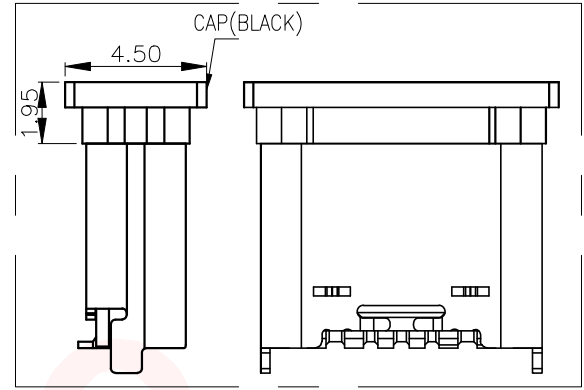
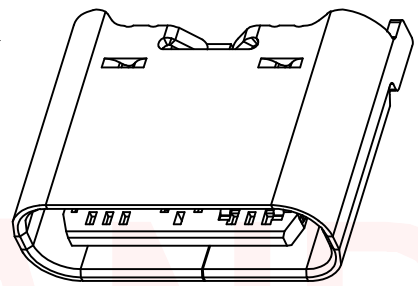
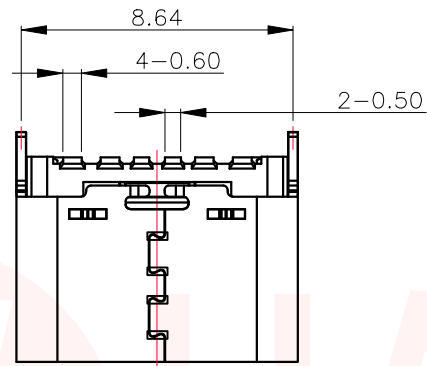
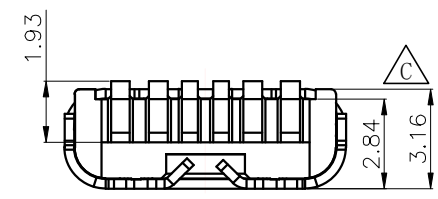
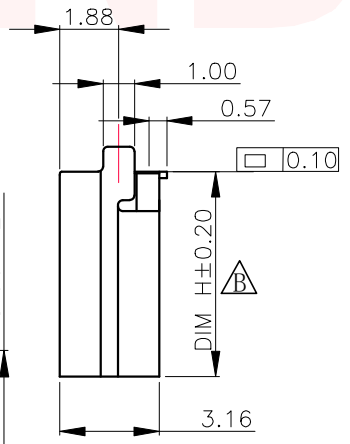
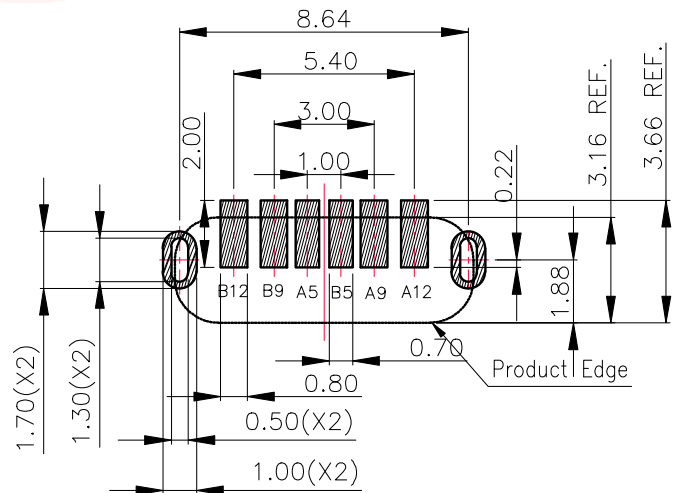
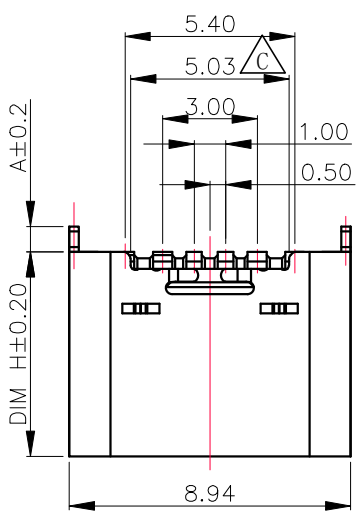




| | | | |
|------|-----------------------|---------|------|
| REV. | ECN NO OR DESCRIPTION | REVISED | DATE |
| | | | |



| | | | |
|-----|-------------|-----|-------------|
| A5 | CC1 | B5 | CC2 |
| A9 | VBUS | B9 | VBUS |
| A12 | GND | B12 | GND |
| PIN | SIGNAL NAME | PIN | SIGNAL NAME |



SPECIFICATION:

- Material:
 - HOUSING&MOLDING:LCP, UL94 V-0
 - CONTACTS:C5191R-H
 - SHELL:SUS, T=0.30
- Mechanical:
 - 2.1. Mating force:5~20Nf Max.;
 - 2.2. Unmating force:6~20Nf Min.;
 - 2.3. Durability:3000 Cycles;
- Electrical:
 - 3.1. Current Rating:3A Max.;
 - 3.2. Voltage Rating:20V Max.;
 - 3.3. Dielectric Withstanding volage:100VAc;
 - 3.4. Contact resistance:40m Ohms Max.;
 - 3.5. Insulation Resistance:100M Ohms Min.;
- Environmental:
 - 4.1. Operating temperature:-40° C~+85° C;
 - 4.2. Wetting Temperature:265±5° C, 5±0.5s

Recommend PCB Layout
(Tol:±0.05,T=1.0±0.05mm)

UNLESS OTHERWISE SPECIFIED TOLERANCES

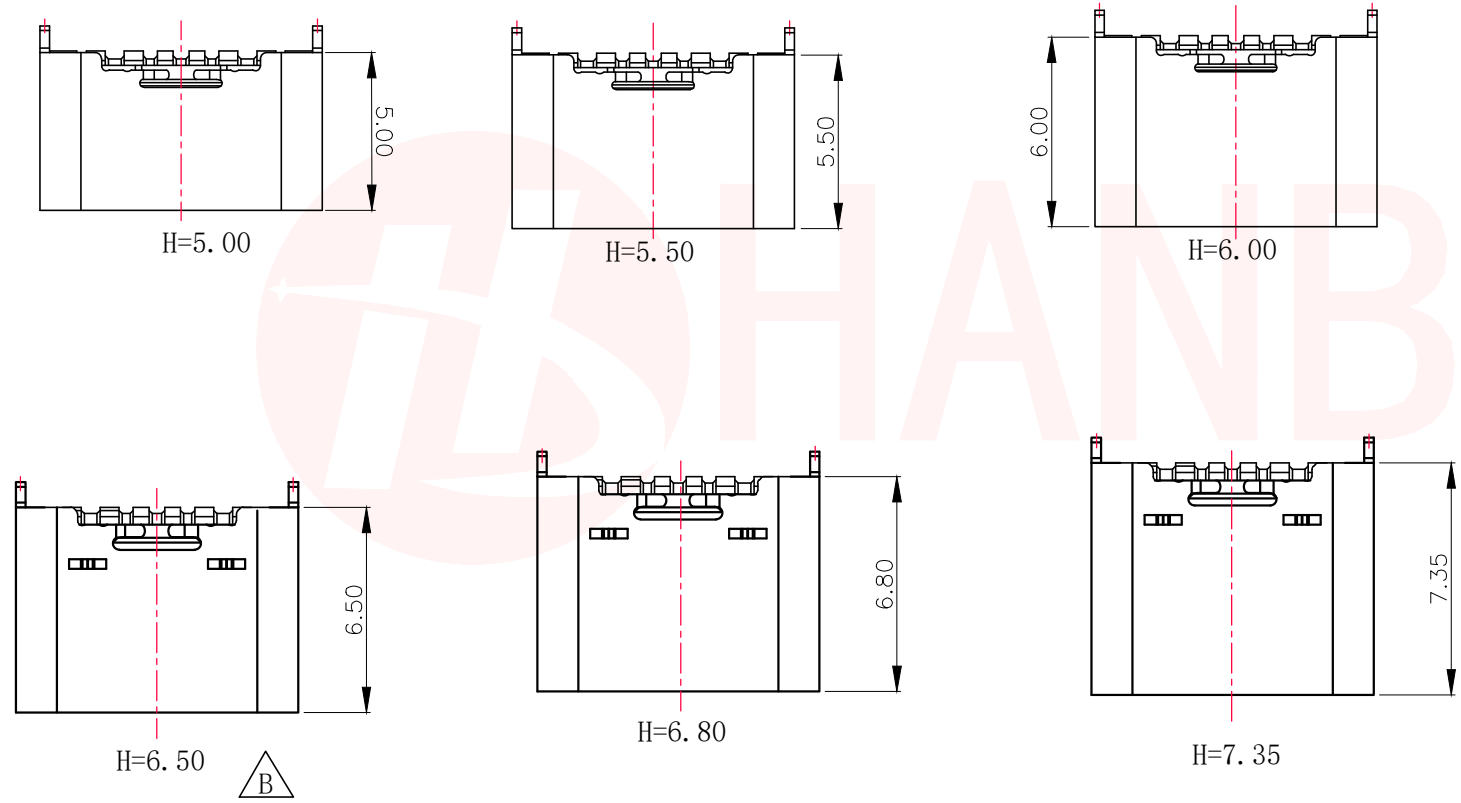
| | |
|-----------|----------|
| DECIMALS: | ANGLES: |
| X±0.50 | X :±2° |
| .X±0.35 | X.X :±1° |
| .XX±0.25 | |
| .XXX±0.15 | |

| | | | | |
|---|------------------------|-----------|---------------|---------|
| 东莞市汉博电子科技有限公司 DONGGUAN HANBO TECHNOLOGY CO., LTD | | | | |
| TITLE | USB TYPE C 6PIN SMT 立贴 | | | |
| DWN | xiong | PART NO. | MC-306LS-HXXX | |
| CHKD | lee | SCALE:1:1 | UNIT: mm | |
| APVD | wang | SIZE: A4 | SHEET:10F 1 | REV: A4 |
| CUSTOMER COPY | | | | |



| REV. | ECN NO OR DESCRIPTION | REVISED | DATE |
|------|-----------------------|---------|------|
| | | | |
| | | | |

USB TYPE C 6PIN SMT 立贴所有高度示意图:

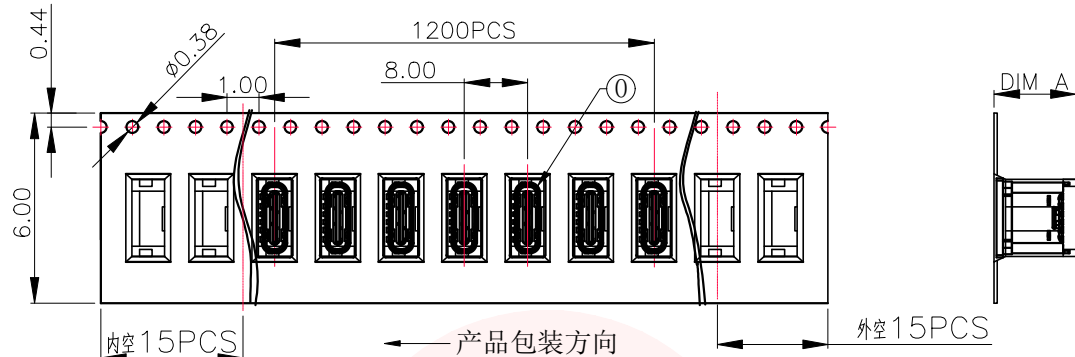


| PART No. | DIM H |
|---------------|-------|
| MC-306LS | 6.8 |
| MC-306LS-H50 | 5.0 |
| MC-306LS-H55 | 5.5 |
| MC-306LS-H60 | 6.0 |
| MC-306LS-H65 | 6.5 |
| MC-306LS-H735 | 7.35 |

| | | | | |
|---------------------------------------|----------|---|------------------------|------------------------------|
| UNLESS OTHERWISE SPECIFIED TOLERANCES | | 东莞市汉博电子科技有限公司 DONGGUAN HANBO TECHNOLOGY CO., LTD | | |
| DECIMALS: | ANGLES: | TITLE | USB TYPE C 6PIN SMT 立贴 | |
| X :±0.30 | X :±2° | DWN | xiong | PART NO. MC-306LS-HXXX |
| X.X :±0.20 | X.X :±1° | CHKD | lee | SCALE:1:1 UNIT: mm |
| X.XX :±0.10 | | APVD | wang | SIZE: A4 SHEET:10F 1 REV: A4 |
| CUSTOMER COPY | | | | |



| REV. | ECN NO OR DESCRIPTION | REVISED | DATE |
|------|-----------------------|---------|------|
| | | | |
| | | | |

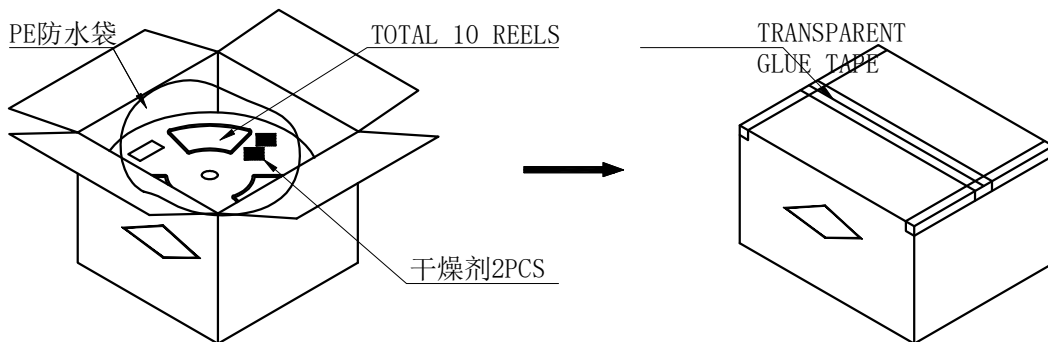
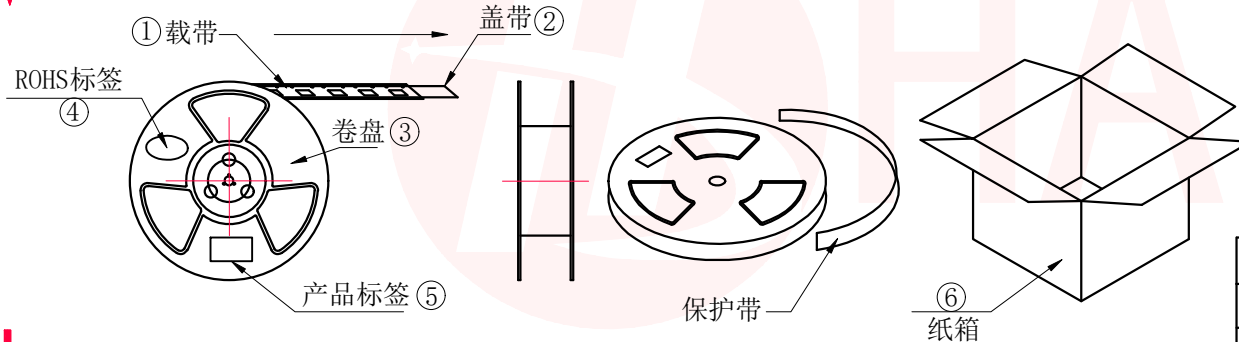


说明:

1. 每卷前后各空15PCS, 尾部用美纹胶纸封住;
2. 将产品放满盘后, 再卷一圈保护带, 用美纹胶纸将其封住, 并贴上1Pcs物料标签;
3. 每10卷盘一叠共12000Pcs装入1个外箱内;
4. 在搬运过程中要轻拿轻放;
5. 在运输中不可堆放过多 (1.8M最高), 不可重压;
6. 跌落测试条件:

成品箱从1.2米高度自由落体 (一角三棱六面):

- a. 产品不可跑出下带凹槽;
- b. 产品不可有摔伤, 变形;
- c. 内包装材料不可严重破损.



| NO. | NAME | SPEC | Q' TY |
|-----|---------------|------------------|------------|
| ① | TYPE C 6P母座成品 | | 12000PCS/箱 |
| ② | 载带 | W=24mm, T=0.40mm | 1200PCS/盘 |
| ③ | 盖带 | W=21.3mm | |
| ④ | 卷盘 | 380*100*24.4mm | 10PCS/箱 |
| ⑤ | ROHS标签 | | 10PCS/箱 |
| ⑥ | 产品标签 | | 10PCS/箱 |
| ⑦ | 纸箱 | 390*390*310mm | 12000PCS/箱 |

UNLESS OTHERWISE SPECIFIED TOLERANCES



东莞市汉博电子科技有限公司
DONGGUAN HANBO TECHNOLOGY CO., LTD

DECIMALS: X±0.50
.X±0.35
.XX±0.25
.XXX±0.15

ANGLES: X :±2°
X.X :±1°

| | | | |
|-------|------------------------|-----------|---------------|
| TITLE | USB TYPE C 6PIN SMT 立贴 | | |
| DWN | xiong | PART NO. | MC-306LS-HXXX |
| CHKD | lee | SCALE:1:1 | UNIT: mm |
| APVD | wang | SIZE: A4 | SHEET:10F 1 |
| | | | REV: A4 |

CUSTOMER COPY

X-ON Electronics

Largest Supplier of Electrical and Electronic Components

Click to view similar products for [USB Connectors](#) category:

Click to view products by [Hanbo Electronic](#) manufacturer:

Other Similar products are found below :

[950](#) [A-USB A-LP-SMT-C](#) [A-USB B-TOP-C](#) [MUSBD11135](#) [17-200721](#) [217450-1](#) [KMBVX-TH-5S-B30](#) [KUSBX-AS2N-W](#) [KUSBX-SMT2AP1S-W30](#) [935](#) [957](#) [30-498-6](#) [SK-60A-2](#) [1734082-1](#) [30-470](#) [30-489](#) [30-541](#) [MAB 5 S](#) [A-USB A-2P-C](#) [MIKROE-1451](#)
[USBFTVSCCG](#) [1-1734084-2](#) [MUSBA81130](#) [NK-27-32SL](#) [NK-L8-22C-5/8](#) [10135326-001LF](#) [4198](#) [690-024-633-031](#) [UB-20PMFP-LC7001](#)
[17-200011](#) [UB-20AFMM-LL7A01](#) [CAP-WCCMLPB1](#) [CAP-WCCMLPC1](#) [2274475-3](#) [914-614A2025S10200](#) [USB3FTV7SAGF059](#)
[USB3FTV2SAZNF459](#) [USB3FTV7SAZNF459](#) [HYCW153-USBD05-500B](#) [HYCW148-USBD05-117B](#) [HYCW149-USBD05-740B](#)
[HYCW214-USBA04-113B](#) [HYCW213-USBA04-113B](#) [KMMX-BSMT35S-1-B30TR](#) [2345986-1](#) [10082141-N340LF](#) [10117836-011LF](#)
[GSB3C3133DSYHR](#) [GT-USB-2014-CWG1](#) [GT-USB-7010ANS](#)