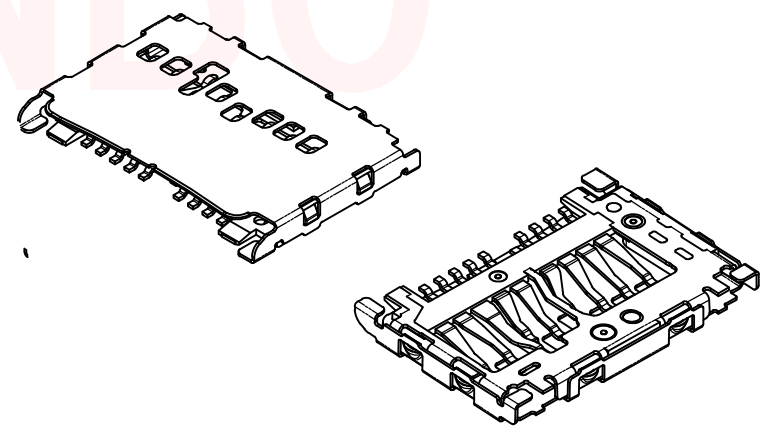
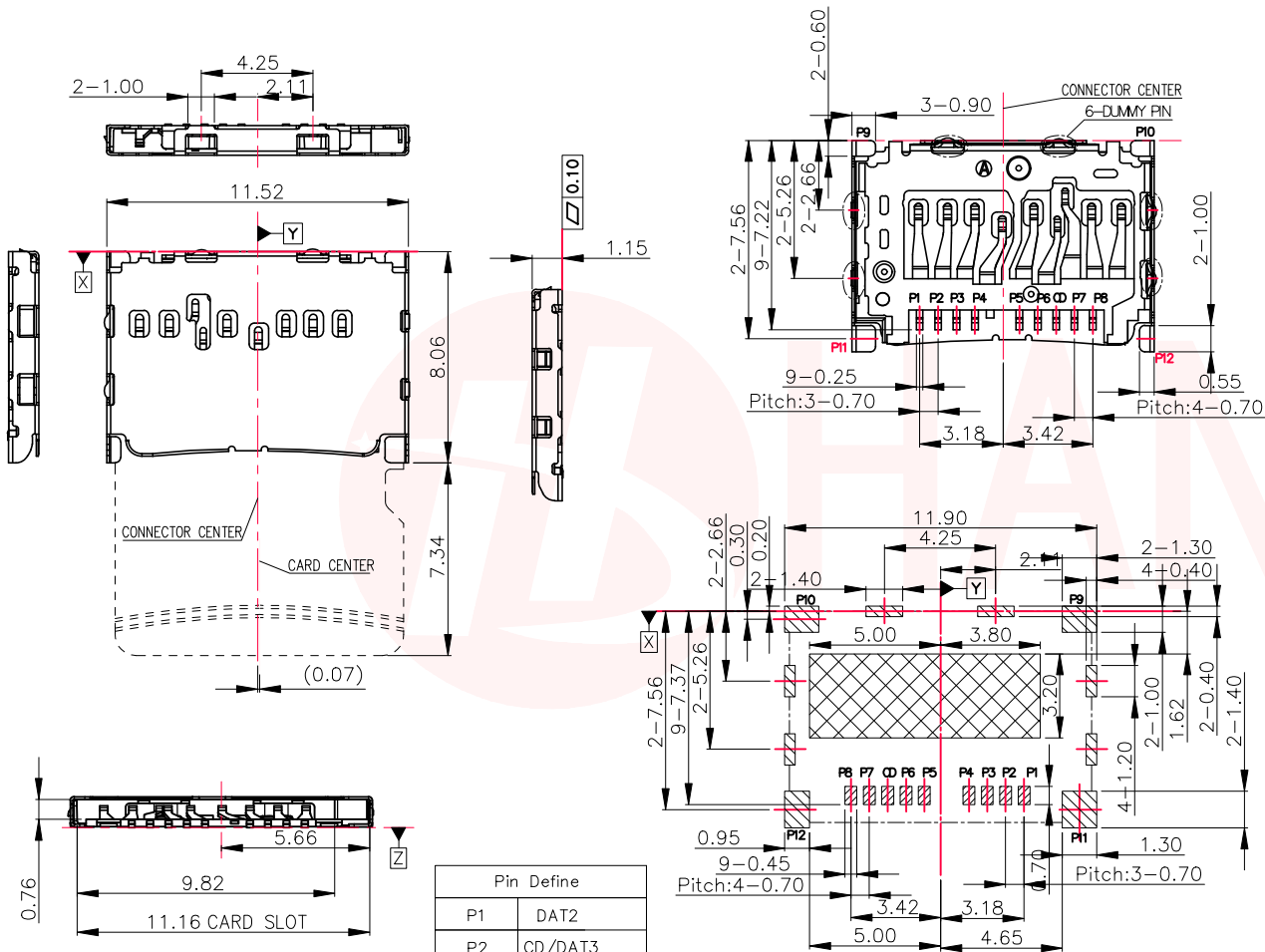




REV.	ECN NO OR DESCRIPTION	REVISED	DATE

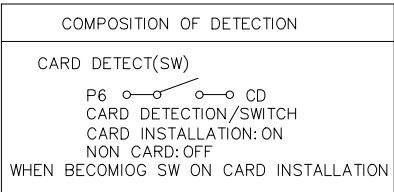
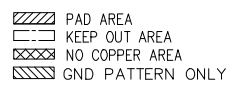


NOTE:

- Material:
 - 1-1 Housing: High Temperature Thermoplastic, (LCP MG350) Color Black UL 94V-0.
 - 1-2 Contact: Phosphor Bronze (C5210R-SH T=0.12mm)
 - 1-3 Cover: SUS304-H T=0.10mm
- Plating:
 - 2-1 Contact terminal: Contact area: Gold 2u" Min. Middle Pd-Ni 8u" min. Solder area: Gold 1u" Min. Underplating: Ni overall 80U" Min.
 - 2-2 Cover: Underplating: Ni overall 30U" Min. Solder area: Gold 1u" Min.
- Specification:
 - 3-1. Contact Current Rating: 0.5 Amperes.
 - 3-2. Dielectric Withstanding Voltage: AC500V r.m.s.
 - 3-3. Insulation Resistance: 1000 Megohms Minimum At DC 500V.
 - 3-4. Contact Resistance: 100 mΩ Maximum.
 - 3-5. Mating Cycles: 5,000 Cycles.
 - 3-6. Operating Temperature: -25°C~+60°C.
- Product Compliant to RoHS Directive 2002/95/EC and ELV 2000/53/EC
- Part Must Comply Taisol HF WD-3-1-091 Specification.
- Recommending A Metal More Than 0.15mm Thick. Please Confirm Solderability, If Use A Metal Mask Less Than 0.15mm Thick.

Pin Define	
P1	DAT2
P2	CD/DAT3
P3	CMD
P4	VDD
P5	CLK
P6	VSS
CD	CARD DETECT
P7	DAT0
P8	DAT1
P9-P12	GND

RECOMMEND P.C.B LAYOUT
(General tolerance ±0.05)



UNLESS OTHERWISE SPECIFIED TOLERANCES		东莞市汉博电子科技有限公司 DONGGUAN HANBO TECHNOLOGY CO., LTD			
DECIMALS:	ANGLES:	TITLE	MICRO SD H1.15 CARD CONN		
X :±0.30	X :±2°	DWN	xiong	PART NO. MR-1205	
X.X :±0.20	X.X :±1°	CHKD	lee	SCALE:1:1	UNIT: mm
X.XX :±0.10		APVD	wang	SIZE: A4	SHEET:10F 1
CUSTOMER COPY					

X-ON Electronics

Largest Supplier of Electrical and Electronic Components

Click to view similar products for [Memory Card Connectors](#) category:

Click to view products by [Hanbo Electronic](#) manufacturer:

Other Similar products are found below :

[6407-249V-25273P](#) [6407-249V-25343P](#) [6426-201-21343](#) [69.920.0553.0](#) [MCR60A-98D-2.54DSA\(70\)](#) [809180410000000](#) [DM3AT-SF-PEJM5\(41\)](#) [IC11S-BUR-PNEJL\(71\)](#) [C70210M0083692](#) [2041353-2](#) [308-DS1P0811-192](#) [HM2P09PDR360N9LF](#) [10014744-011TLF](#) [11327-001](#) [11327-002](#) [NX1-32T-KT3K\(05\)](#) [95622-003LF](#) [84648-056HLF](#) [CCM03-3109 B LFT](#) [MS3116J10-6PW](#) [2309923-1](#) [61126-050CAHLF](#) [GTFP08432B1HR](#) [G85D1160022HHR](#) [SCE2MSDZN76A121SN](#) [10014744-011ALF](#) [10014744-011LF](#) [10057542-1211FLF](#) [10067972-000LF](#) [10067972-050LF](#) [10122302-20110LF](#) [G85D1162022HHR](#) [TF-05A](#) [M6014-12](#) [XKNANO-1412](#) [SMN-304-ARP6](#) [MIS11-S1F1-2000-A](#) [SMN-308-ARSP7](#) [MCS-302S-KT1B](#) [SMN-308-ACSP7](#) [K-DYX-008](#) [K-DYX-004](#) [HYCW126-TF18-150B](#) [C7024-03](#) [SMO-1030](#) [MCS-110-KT](#) [SIM-217](#) [SNO-1355-KT](#) [SMO-1025-P10](#) [SIM-211S-P6](#)