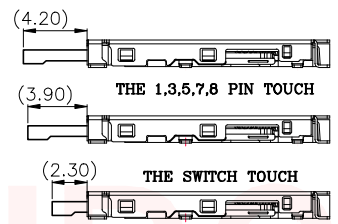
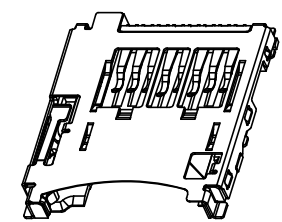
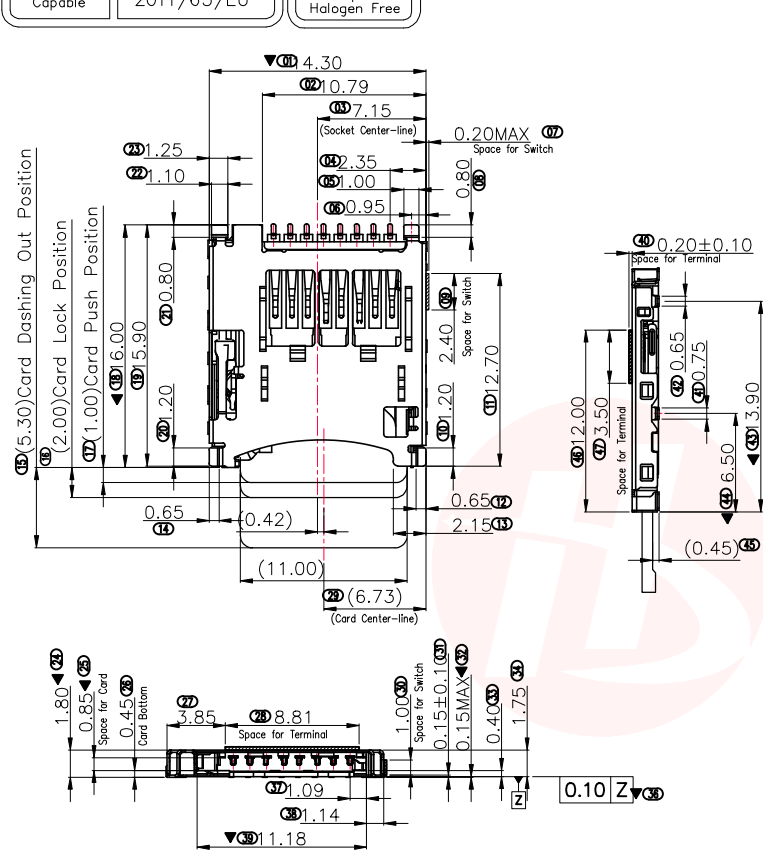




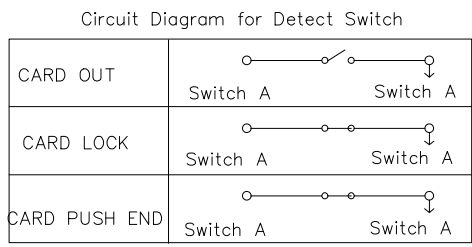
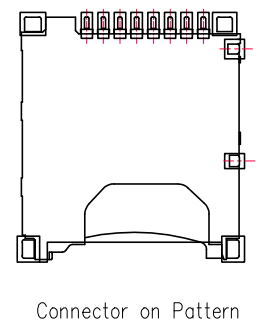
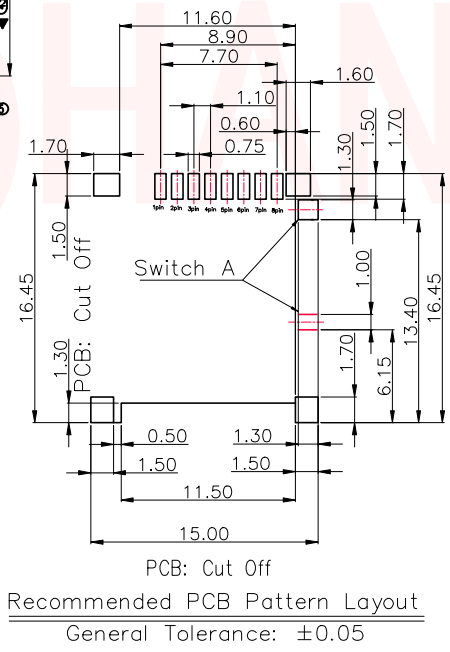
REV.	ECN NO OR DESCRIPTION	REVISED	DATE



- Note:
- Material: See Table
 - Finishes: See Table
 - 2-1 Contact: Nickel Underplated
Gold Flash Plating on Contact Area, Gold Flash on Solder Tail
 - 2-2 Switch & Detect: Nickel Underplated
Gold Flash Plating on Contact Area
 - 2-3 Shell: Gold Flash Over Nickel Underplated on Solder Pad
 - Coplanarity of Solder tails : 0.10MAX.
Misalignment of Solder Tail From "Z"
Upper Direction 0.05 MAX. , Lower Direction 0.1 MAX.
 - Mechanical Specification:
Repeated 5000 Times Mating and Unmating Cycles and Still Meet Electrical Characteristics
 - Electrical Specification:
5-1 Rated Current (Per Contact): 0.5Amps MAX and Temperature Rise Should be 30°C MAX.
5-2 Insulation Resistance(LR):1000 Megohms MIN.
5-3 Dielectric With Standing Voltage: 500VAC
5-4 Contact Resistance : 100 Milliohms MAX.
 - ▼ sign, for the QC testing and focus IPQC

PIN ASSIGNMENT

Pin No.	PIN ASSIGNMENT
P1	MICRO SD_DAT2
P2	MICROSD SD_CD/DAT3
P3	MICRO SD_CMD
P4	MICRO SD_VDD
P5	MICRO SD_CLK
P6	MICRO SD_VSS
P7	MICRO SD_DAT0
P8	MICRO SD DAT1



NO	Description	Dosage	Material	Color/plating
9	LOCK	1PC	SUS304	Clean
8	IN PIN	1PC	C5191	Contact gold flash plating ;solder plating gold flash
7	SW PIN	1PC	C5191	Contact gold flash plating ;solder plating gold flash
6	SLIDER	1PC	E4731 30%G.F	UL94V-0; Color BLACK
5	SPRING	1PC	SWP-B	Ni: 30u"min
4	HOOK	1PC	SUS304	Clean
3	Housing	1PC	S475 30%G.F	UL94V-0; Color BLACK
2	Shell	1PC	SUS304	Solder plating gold flash
1	Terminal	1PC	C5210	Contact gold flash plating ;solder plating gold flash

UNLESS OTHERWISE SPECIFIED TOLERANCES

DECIMALS: ANGLES:
 X ±0.30 X ±2°
 X.X ±0.20 X.X ±1°
 X.XX ±0.10

东莞市汉博电子科技有限公司
DONGGUAN HANBO TECHNOLOGY CO., LTD

TITLE: MICRO SD BOT H1.80MM P/P

DWN xiong PART NO. MR-1206-P8

CHKD lee SCALE:1:1 UNIT: mm

APVD wang SIZE: A4 SHEET:10F 1 REV: A4

CUSTOMER COPY

X-ON Electronics

Largest Supplier of Electrical and Electronic Components

Click to view similar products for [Memory Card Connectors](#) category:

Click to view products by [Hanbo Electronic](#) manufacturer:

Other Similar products are found below :

[M21-033321-005](#) [6407-249V-25273P](#) [6407-249V-25343P](#) [6426-201-21343](#) [69.920.0553.0](#) [MCR60A-98D-2.54DSA\(70\)](#) [809180410000000](#)
[DM3AT-SF-PEJM5\(41\)](#) [IC11S-BUR-PNEJL\(71\)](#) [252-0144-000](#) [2041353-2](#) [308-DS1P0811-192](#) [HM2P09PDR360N9LF](#) [10014744-011TLF](#)
[11327-001](#) [11327-002](#) [617230001](#) [NX1-32T-KT3K\(05\)](#) [N7E50-U516RB-50-SIN0005](#) [68-580163-21S](#) [125A-78C00](#) [CCM03-3109 B LFT](#)
[2309923-1](#) [61126-050CAHLF](#) [IC1GA-68PD-1.27DS-EJ\(72\)](#) [GTFP08432B1HR](#) [SCE2MSDZN76A121SN](#) [10014744-011ALF](#) [10014744-](#)
[011LF](#) [10057542-1211FLF](#) [10067972-000LF](#) [10067972-050LF](#) [10122302-20110LF](#) [G85D1162022HHR](#) [MUP-C7809-1](#) [NANO SIM 7P](#)
[H1.37](#) [MICRO SIM 7P H1.35](#) [TF-CARD H1.8 SY](#) [MICRO SIM 6P H1.35](#) [TF-CARD H1.8](#) [TF-115Y-BCP9](#) [TF-115YY-ACP9](#) [SMN-309-](#)
[ARP6](#) [TF-115Y-ACP9](#) [TF-108-ARP10](#) [SMN-303S-ACP7](#) [SNO-14100](#) [SD-112S](#) [MUP-C7804-1](#) [KH-TF-07DT](#)