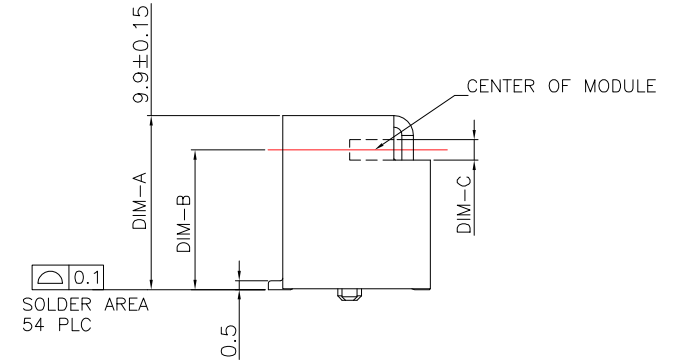
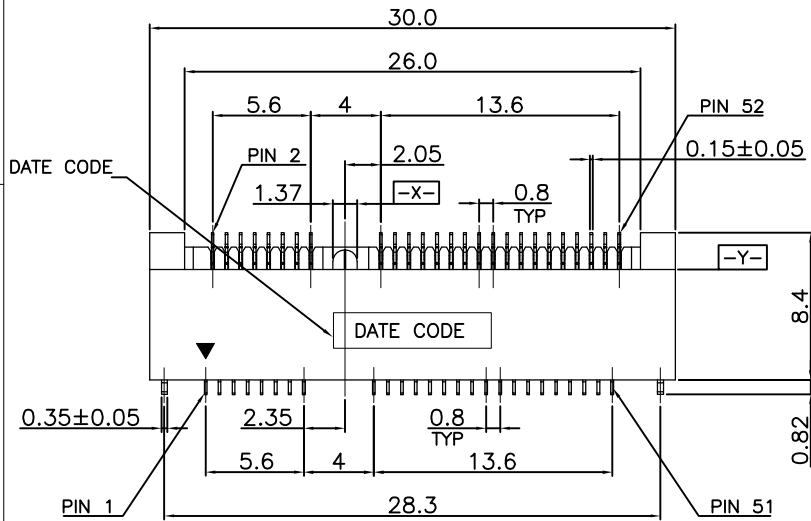




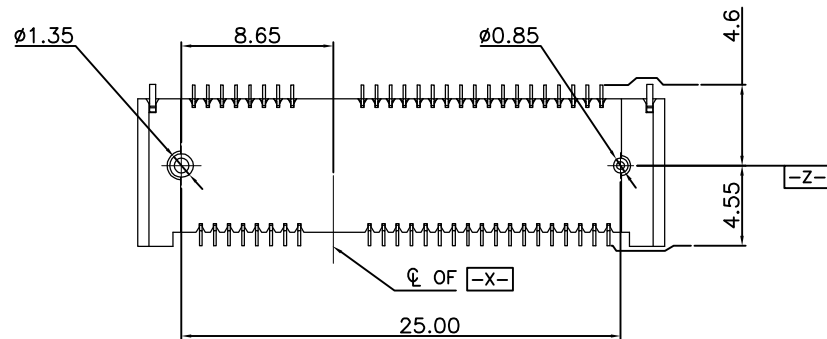
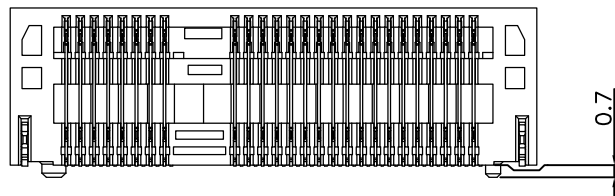
REV.	ECN NO OR DESCRIPTION	REVISED	DATE



SPECIFICATION:

- ELECTRICAL**
 - Current Rating: 0.5A per pin
 - Voltage Rating: 50V DC
 - Contact Resistance: 5 5mΩ Max
 - Insulation Resistance: 500MΩ Min
 - Dielectric Withstanding Voltage: 300VAC
- MECHANICAL**
 - Durability: 100 Cycle
 - Insertion Force: 2.3Kgf max.
 - Extraction Force: 2.3Kgf max.
- ENVIRONMENTAL**
 - Operating temperature range: -40 °C~+85°C
 - Storage temperature range: -40 °C~+85°C
- SOLDER ABILITY**
 - Recommended IR Reflow Temperature: 260 °C 10Sec

LTEM NO	DIM-A	DIM-B	DIM-C
PCI-E-H40-52P	4.0mm	2.05mm	1.12mm
PCI-E-H52-52P	5.2mm	3.25mm	1.12mm
PCI-E-H56-52P	5.6mm	3.65mm	1.12mm
PCI-E-H70-52P	7.0mm	5.05mm	1.12mm
PCI-E-H80-52P	8.0mm	6.05mm	1.16mm
PCI-E-H90-52P	9.0mm	7.05mm	1.16mm
PCI-E-H99-52P	9.9mm	7.95mm	1.16mm

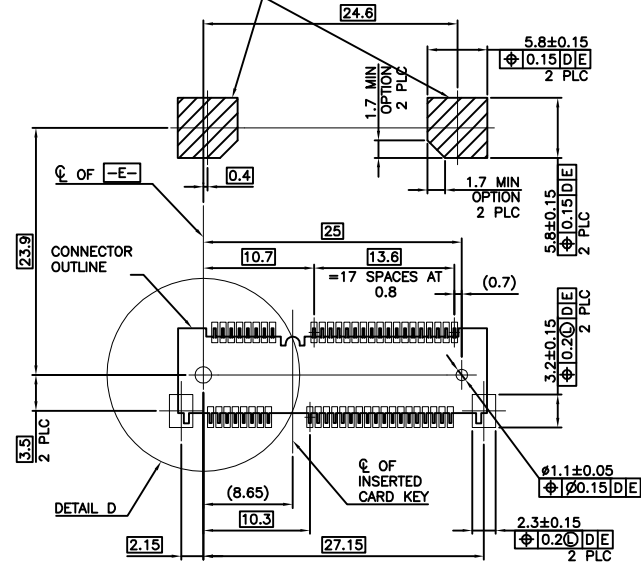


UNLESS OTHERWISE SPECIFIED TOLERANCES		东莞市汉博电子科技有限公司 DONGGUAN HANBO TECHNOLOGY CO., LTD		
DECIMALS:	ANGLES:	TITLE MINI PCI EXPRESS		
X :±0.35	X :±2°	DWN	xiong	PART NO. PCI-E-HXX-52PIN
X.X :±0.25	X.X :±1°	CHKD	lee	SCALE:1:1 UNIT: mm
X.XX :±0.15		APVD	wang	SIZE: A4 SHEET:1OF 1 REV: A4
CUSTOMER COPY				

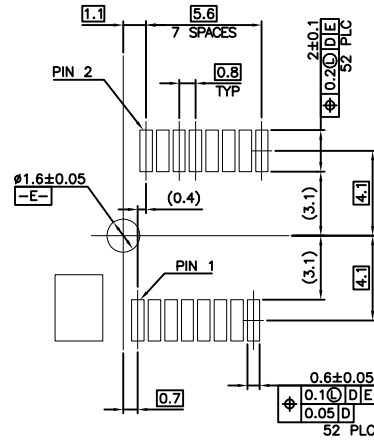


REV.	ECN NO OR DESCRIPTION	REVISED	DATE

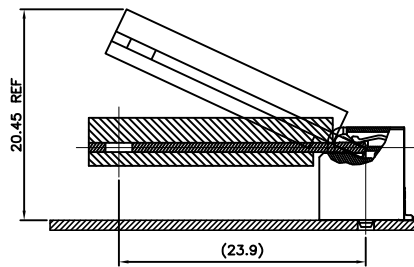
COMPONENT KEEP OUT AREA FOR CARD HOLD DOWN SOLUTION



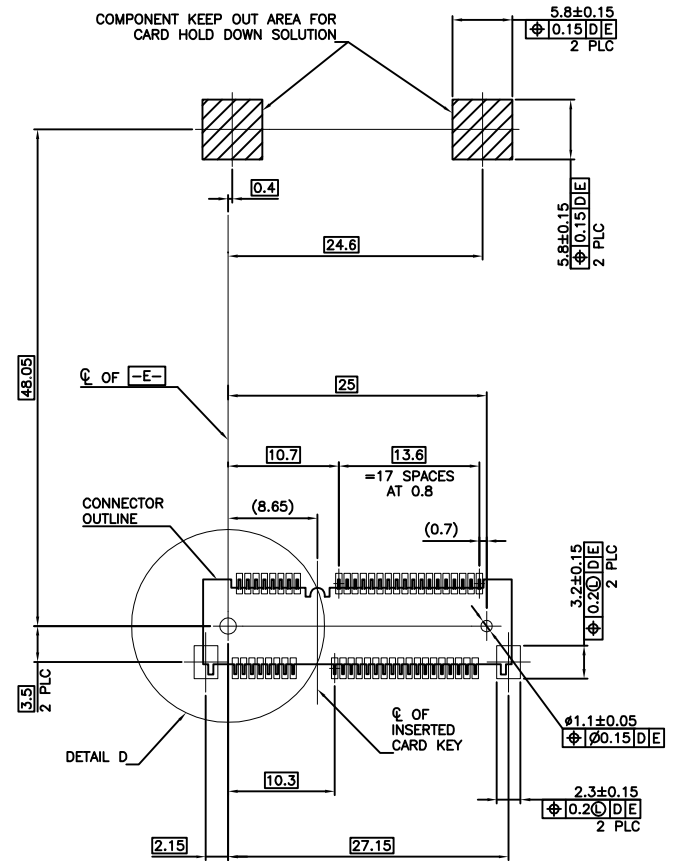
-D- IS THE TOP SURFACE OF PCB.
RECOMMENDED P.C. BOARD PATTERN LAYOUT
FOR HALF CARD CONNECTOR
(TOP VIEW)



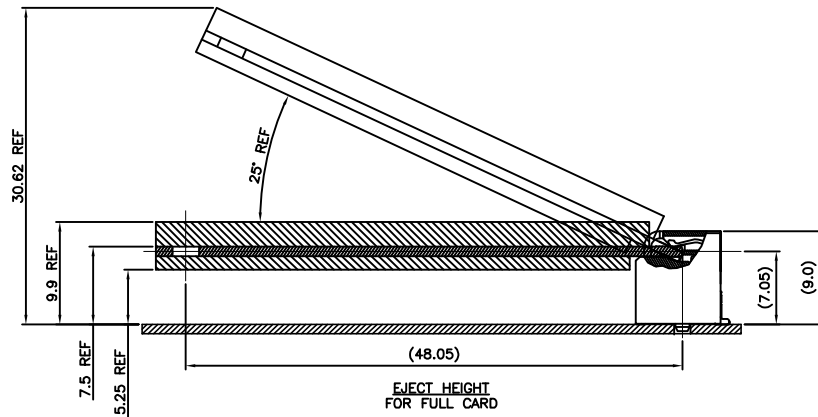
DETAIL D
SCALE 2:1



COMPONENT KEEP OUT AREA FOR CARD HOLD DOWN SOLUTION



-D- IS THE TOP SURFACE OF PCB.
RECOMMENDED P.C. BOARD PATTERN LAYOUT
FOR FULL CARD CONNECTOR
(TOP VIEW)



UNLESS OTHERWISE SPECIFIED TOLERANCES

DECIMALS: ANGLES:
X :±0.35 X :±2°
X.X :±0.25 X.X :±1°
X.XX :±0.15



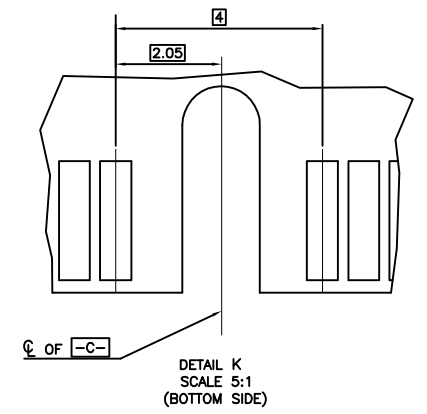
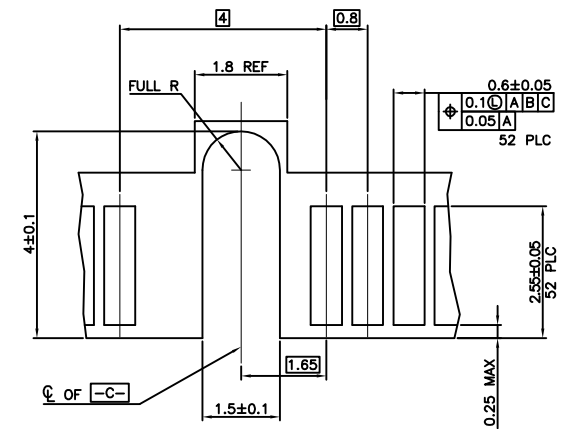
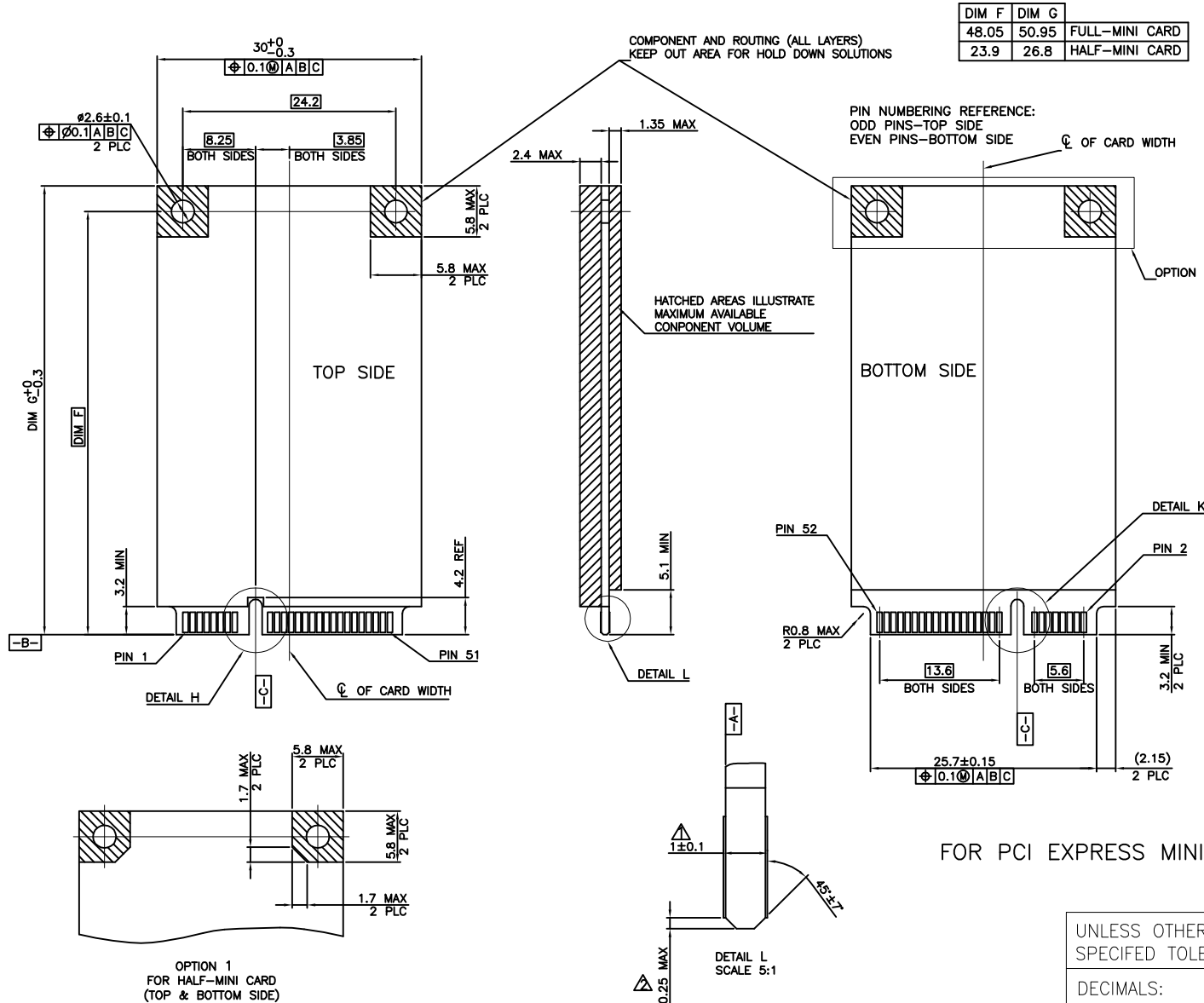
东莞市汉博电子科技有限公司
DONGGUAN HANBO TECHNOLOGY CO., LTD

TITLE	MINI PCI EXPRESS			
DWN	xiong	PART NO. PCI-E-HXX-52PIN		
CHKD	lee	SCALE:1:1	UNIT: mm	
APVD	wang	SIZE: A4	SHEET:1OF 1	REV: A4

CUSTOMER COPY



REV.	ECN NO OR DESCRIPTION	REVISED	DATE



- NOTES:**
- △ CARD THICKNESS APPLIES ACROSS TABS AND INCLUDES PLATING AND/OR METALLIZATION.
 - △ EDGE BEVEL MUST BE PRESENT AND FREE OF CUTTING BURRS FROM PCB AND CONTACT MATERIALS.

UNLESS OTHERWISE SPECIFIED TOLERANCES

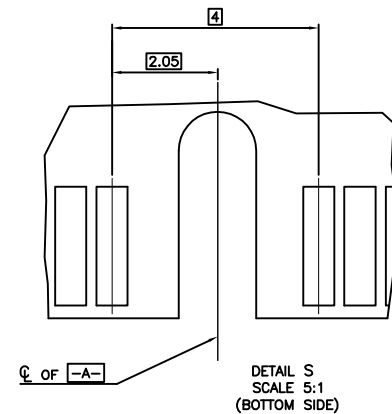
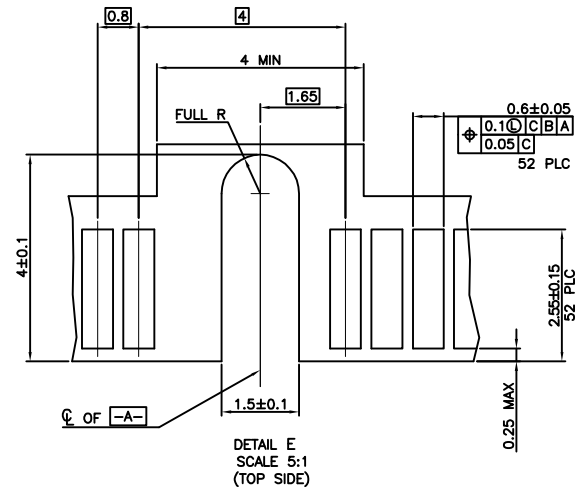
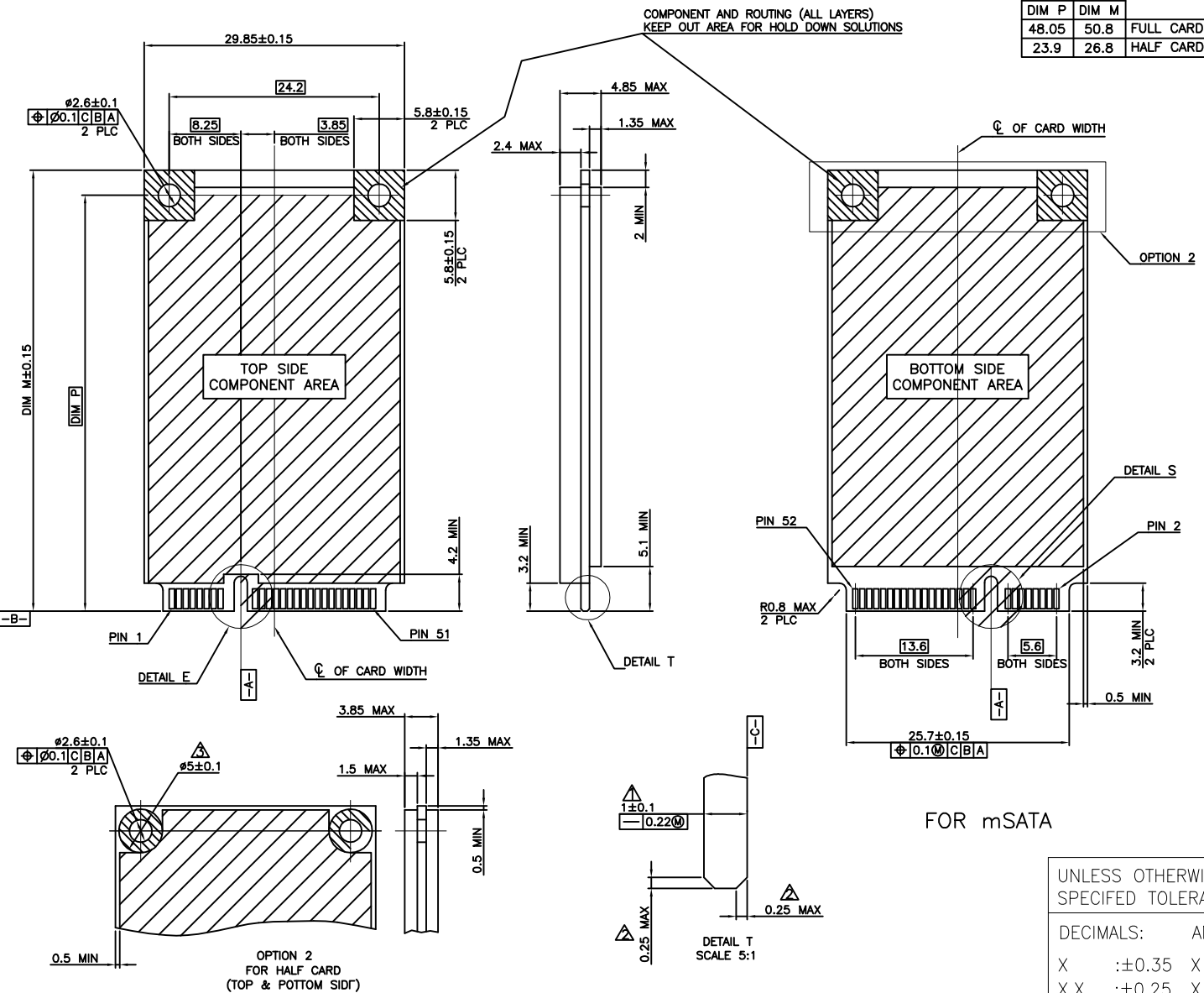
DECIMALS:	ANGLES:
X :±0.35	X :±2°
X.X :±0.25	X.X :±1°
X.XX :±0.15	

东莞市汉博电子科技有限公司 DONGGUAN HANBO TECHNOLOGY CO., LTD				
TITLE	MINI PCI EXPRESS			
DWN	xiong	PART NO. PCI-E-HXX-52PIN		
CHKD	lee	SCALE:1:1	UNIT: mm	
APVD	wang	SIZE: A4	SHEET:1OF 1	REV: A4
CUSTOMER COPY				



REV.	ECN NO OR DESCRIPTION	REVISED	DATE

A
B
C
D



NOTES:

- ▲ CARD THICKNESS APPLIES ACROSS TABS AND INCLUDES PLATING AND/OR METALLIZATION.
- ▲ EDGE BEVEL MUST BE PRESENT AND FREE OF CUTTING BURRS FROM PCB AND CONTACT MATERIALS.
- ▲ COMPONENT AND ROUTING (TOP/BOTTOM LAYER) KEEP OUT AREA FOR HOLD DOWN SOLUTIONS.

UNLESS OTHERWISE SPECIFIED TOLERANCES

DECIMALS: ANGLES:
 X :±0.35 X :±2°
 X.X :±0.25 X.X :±1°
 X.XX :±0.15

东莞市汉博电子科技有限公司
DONGGUAN HANBO TECHNOLOGY CO., LTD

TITLE	MINI PCI EXPRESS		
DWN	xiong	PART NO. PCI-E-HXX-52PIN	
CHKD	lee	SCALE:1:1	UNIT: mm
APVD	wang	SIZE: A4	SHEET:1OF 1

CUSTOMER COPY

1 2 3 4 5 6

X-ON Electronics

Largest Supplier of Electrical and Electronic Components

Click to view similar products for [Standard Card Edge Connectors](#) category:

Click to view products by [Hanbo Electronic](#) manufacturer:

Other Similar products are found below :

[CR7E-30DB-3.96E\(72\)](#) [6565204-6](#) [1437274-4](#) [EBT156-22R2W](#) [1-582587-1](#) [284-0102-12100](#) [286-0052-12101A](#) [306022901000000](#) [307-056-520-300](#) [A6D22DS29C2](#) [1926088-2](#) [245-062-520-350](#) [287-0032-12101](#) [306-028-525-102](#) [307-072-526-202](#) [345-060-559-303](#) [534671-1](#) [341-240-317](#) [345-044-500-300](#) [346-240-318](#) [395-100-524-300](#) [09-07-2032](#) [10035388-802LF](#) [10115859-011LF](#) [10122859-009LF](#) [101269333204245CLF](#) [530555-1](#) [66925-516LF](#) [5145409-2](#) [73726-0005](#) [66308-1](#) [5036A30](#) [PEC-07-02-T-S-A](#) [KSLX-62-BR](#) [CE100F26-7-C](#) [CE100F28-3-D](#) [CE100F28-4-D](#) [CE156F22-9-C](#) [CT100F24-3-D](#) [CT100F24-6-C](#) [MLSS100-12-C](#) [SCC100F-11-C](#) [SCC100F-20-C](#) [SCC100F-24-C](#) [SCC100F-25-C](#) [3-530656](#) [285-0112-12300](#) [346-068-556-300](#) [284-0492-11000](#) [287-0032-12301](#)