



REV.	ECN NO OR DESCRIPTION	REVISED	DATE

A

B

C

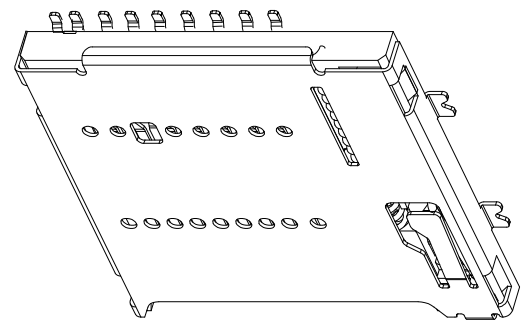
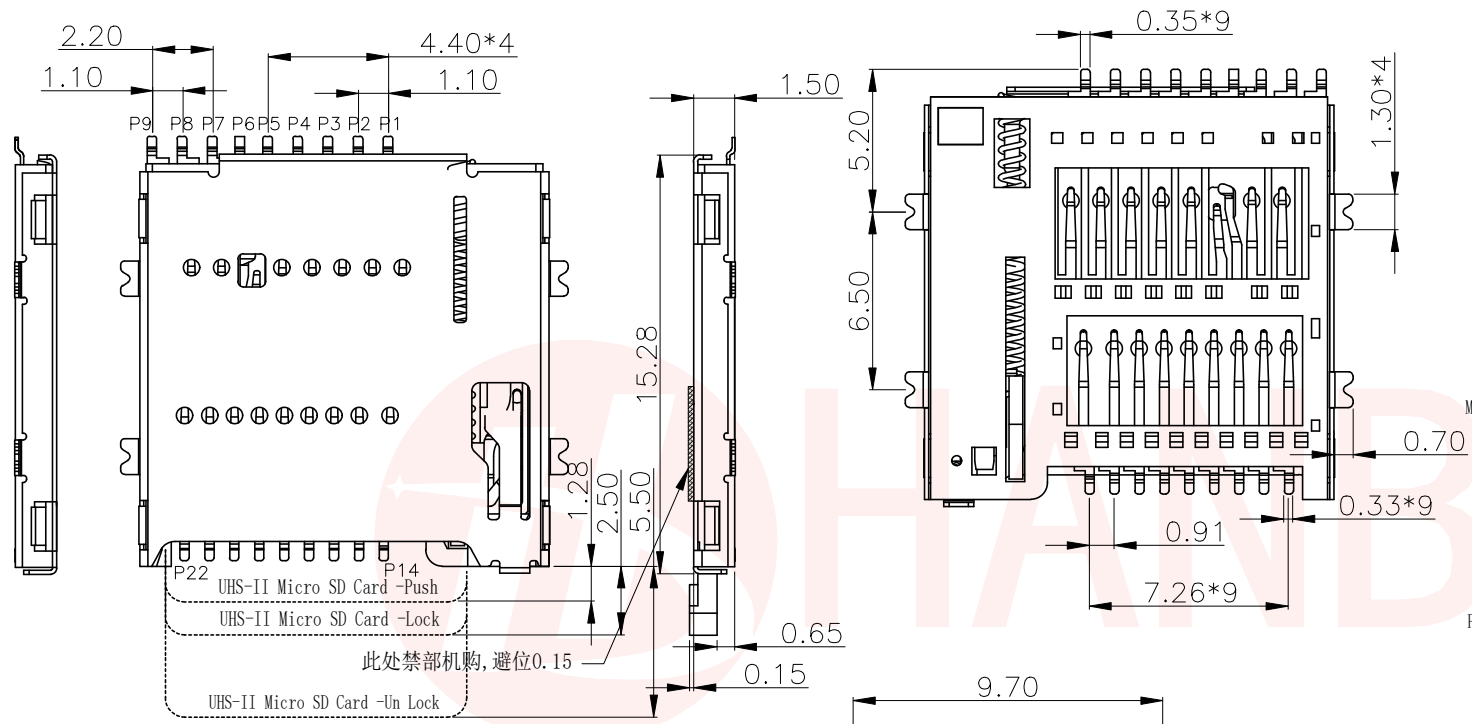
D

A

B

C

D

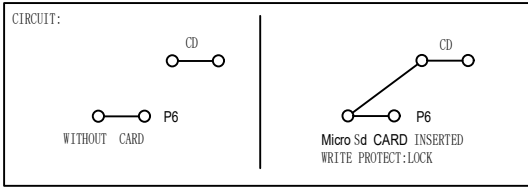


Specification

MATERIAL:
 Insulator: High Temperature Thermoplastic, UL 94V-0. COLOR*BLACK LCP
 (塑胶: 黑色LCP, 防火等级UL 94V-0)
 SHELL: SUS301
 Contact: Copper Alloy (磷铜C5210)
 弹簧: 琴钢线
 拉杆: SUS301

PLATING:
 Contact: All Ni50u, contact area 1u Au, Pad 0.8U Au
 (接触端子电镀: 全部镍底50U, 接触区域1U金, 焊脚处0.8U金最少)
 Shell: All 50u Ni, Pad 0.8 Au
 (外壳电镀: 镍底50U, 焊脚处0.8U金)

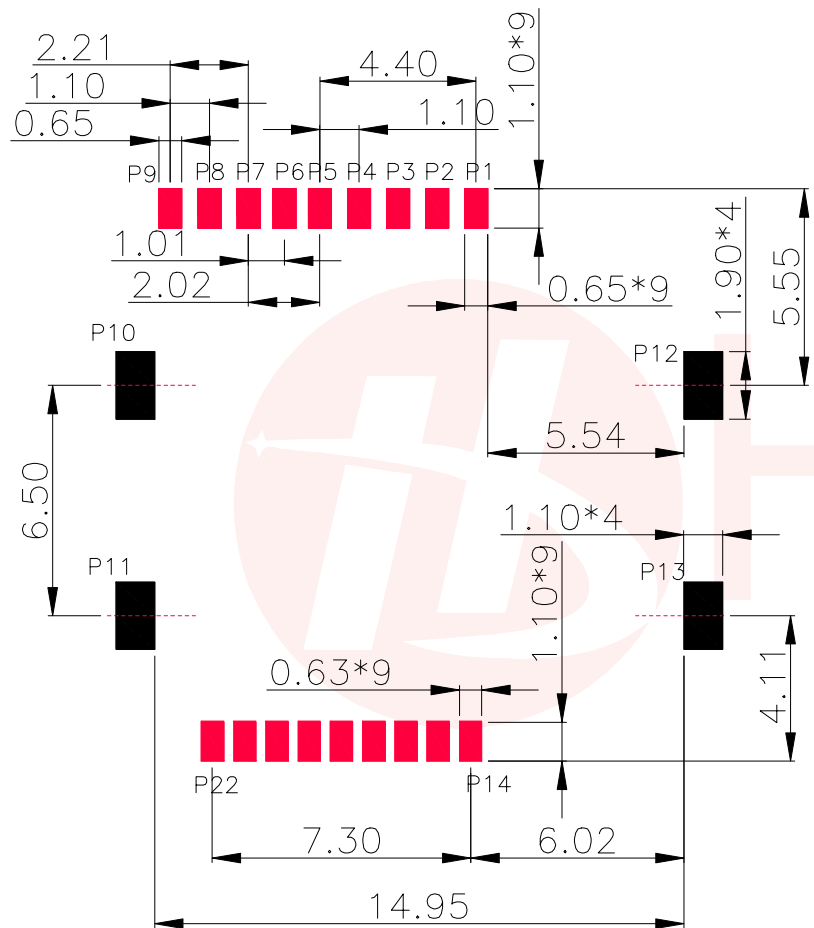
Electrical:
 Current Rating :0.5Amps max (额定电流:0.5A最大)
 Voltage Rating :5V AC/DC (额定电压:5V AC/DC)
 Ambient Temperature Range :-20° C~+60° C (工作温度: -20度到+60度)
 Storage Temperature Range :-40° C~+70° C (工作环境: -20度到+80度)
 Ambient Humidity Range :95% R.H. Max. (上锡效果: 95%以上)
 Contact Resistance:100mΩmax. (端子接触电阻: 100mΩ最大)
 Insulation Resistance:1000Ωmin./500VDC (绝缘阻抗: 100兆欧最小)
 Mating Cycles:3,000 Insertions (寿命: 3000次)
 产品耐温温度: 260° C



UNLESS OTHERWISE SPECIFIED TOLERANCES		东莞市汉博电子科技有限公司 DONGGUAN HANBO TECHNOLOGY CO., LTD	
DECIMALS:	ANGLES:	TITLE UHS-II MICRO SD PUSH 4.0 卡座1.50H	
X :±0.35	X :±2°	DWN	xiong PART NO. SD-123
X.X :±0.25	X.X :±1°	CHKD	lee SCALE:1:1 UNIT: mm
X.XX :±0.15		APVD	wang SIZE: A4 SHEET:1OF 1 REV: A4
CUSTOMER COPY			



REV.	ECN NO OR DESCRIPTION	REVISED	DATE



PIN NO.	UHS-II MICRO SD CARD
P1	MICRO SD DAT2 信号
P2	MICRO SD CD/DAT3信号
P3	MICRO SDCMD 数据输入
P4	MICRO SD VDD 电压/电
P5	MICRO SD CLK 时钟
P6	MICRO SD VSS 接地
P7	MICRO SD DAT0 信号
P8	MICRO SD DAT1 信号
P9	MICRO SD CD
P10	GND
P11	GND
P12	GND
P13	GND
P14	MICRO SD Vdd2
P15	MICRO SD SWIO
P16	MICRO SD Vss
P17	MICRO SD DO+
P18	MICRO SD DO-
P19	MICRO SD Vss
P20	MICRO SD D1-
P21	MICRO SD D1+
P22	MICRO SD Vss

RECOMMEND PCB LAYOUT: PCB AREA 焊接区
 (Unit:mm .X ± 0.15 .XX ±0.05 .XXX ± 0.02)

UNLESS OTHERWISE SPECIFIED TOLERANCES		东莞市汉博电子科技有限公司 DONGGUAN HANBO TECHNOLOGY CO., LTD			
DECIMALS:	ANGLES:	TITLE	UHS-II MICRO SD PUSH 4.0 卡座 1.50H		
X :±0.35	X :±2°	DWN	xiong	PART NO. SD-123	
X.X :±0.25	X.X :±1°	CHKD	lee	SCALE:1:1	UNIT: mm
X.XX :±0.15		APVD	wang	SIZE: A4	SHEET:10F 1
		REV: A4			
CUSTOMER COPY					

1

2

3

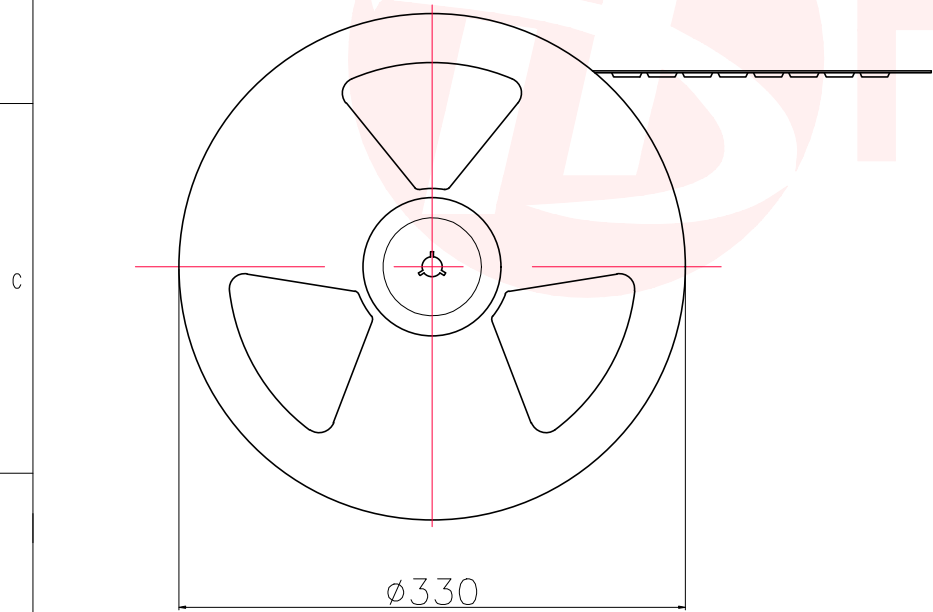
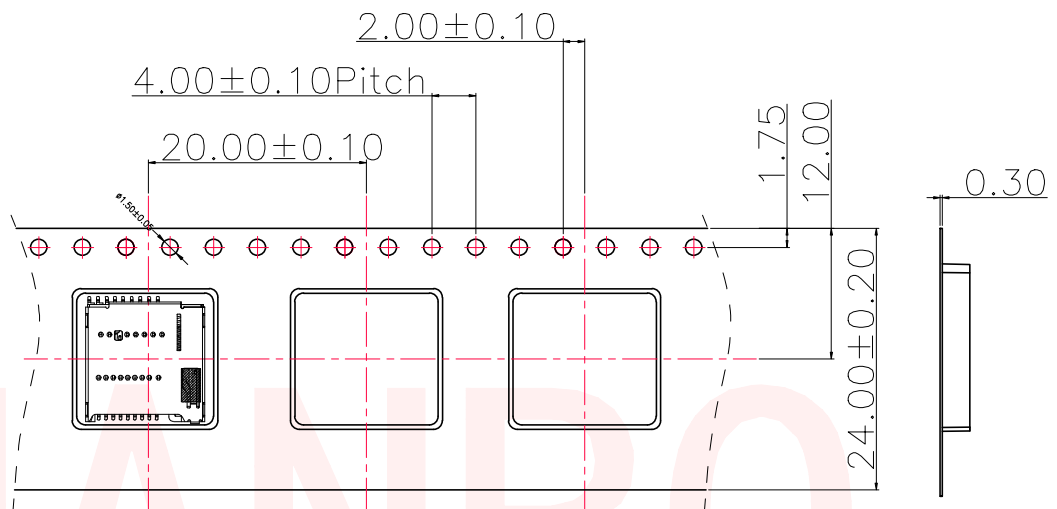
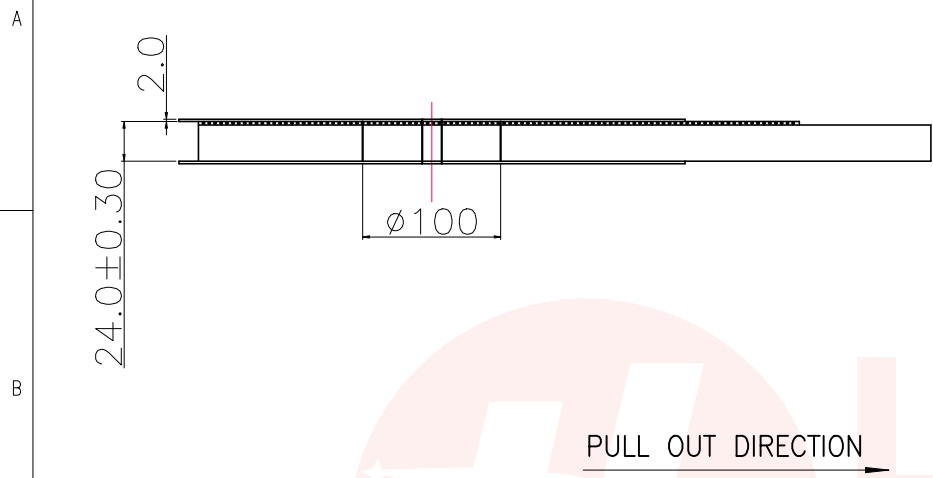
4

5

6



REV.	ECN NO OR DESCRIPTION	REVISED	DATE



- Note:
- 1.10 sprocket hole pitch cumulative tolerance±0.2
 - 2.Carrier camber is within 1 mm in 250mm.
 - 3.Material:Black Conductive Polystyrene Alloy
100 % recyclable.
 - 4.All dimensions meet EIA-481-B requirements.
 - 5.Thickness:0.3±0.05mm.
 - 6.Component load per 13" reel:1000 pcs.
 7. A box of 10 volumes, 10000PCS
 8. 产品单重为: 0.65g; 每盘单重为: 900g/盘, 规格一: 5000PCS/每箱, 规格二: 10000PCS/每箱
 9. 纸箱规格: 200g为5000PCS纸箱单重(外形尺寸345*345*155), 300g为10000PCS纸箱单重(外形尺寸345*345*315)

D

UNLESS OTHERWISE SPECIFIED TOLERANCES		东莞市汉博电子科技有限公司 DONGGUAN HANBO TECHNOLOGY CO., LTD			
DECIMALS:	ANGLES:	TITLE	UHS-II MICRO SD PUSH 4.0卡座 1.50H		
X :±0.35	X :±2°	DWN	xiong	PART NO. SD-123	
X.X :±0.25	X.X :±1°	CHKD	lee	SCALE:1:1	UNIT: mm
X.XX :±0.15		APVD	wang	SIZE: A4	SHEET:10F 1
		REV: A4			
CUSTOMER COPY					

1

2

3

4

5

6

X-ON Electronics

Largest Supplier of Electrical and Electronic Components

Click to view similar products for [Memory Card Connectors](#) category:

Click to view products by [Hanbo Electronic](#) manufacturer:

Other Similar products are found below :

[M21-033321-005](#) [6407-249V-25273P](#) [6407-249V-25343P](#) [6426-201-21343](#) [69.920.0553.0](#) [MCR60A-98D-2.54DSA\(70\)](#) [809180410000000](#)
[DM3AT-SF-PEJM5\(41\)](#) [IC11S-BUR-PNEJL\(71\)](#) [252-0144-000](#) [2041353-2](#) [308-DS1P0811-192](#) [HM2P09PDR360N9LF](#) [10014744-011TLF](#)
[11327-001](#) [11327-002](#) [617230001](#) [NX1-32T-KT3K\(05\)](#) [N7E50-U516RB-50-SIN0005](#) [68-580163-21S](#) [125A-78C00](#) [CCM03-3109 B LFT](#)
[2309923-1](#) [61126-050CAHLF](#) [IC1GA-68PD-1.27DS-EJ\(72\)](#) [GTFP08432B1HR](#) [SCE2MSDZN76A121SN](#) [10014744-011ALF](#) [10014744-](#)
[011LF](#) [10057542-1211FLF](#) [10067972-000LF](#) [10067972-050LF](#) [10122302-20110LF](#) [G85D1162022HHR](#) [MUP-C7809-1](#) [NANO SIM 7P](#)
[H1.37](#) [MICRO SIM 7P H1.35](#) [TF-CARD H1.8 SY](#) [MICRO SIM 6P H1.35](#) [TF-CARD H1.8](#) [TF-115Y-BCP9](#) [TF-115YY-ACP9](#) [SMN-309-](#)
[ARP6](#) [TF-115Y-ACP9](#) [TF-108-ARP10](#) [SMN-303S-ACP7](#) [SNO-14100](#) [SD-112S](#) [MUP-C7804-1](#) [KH-TF-07DT](#)