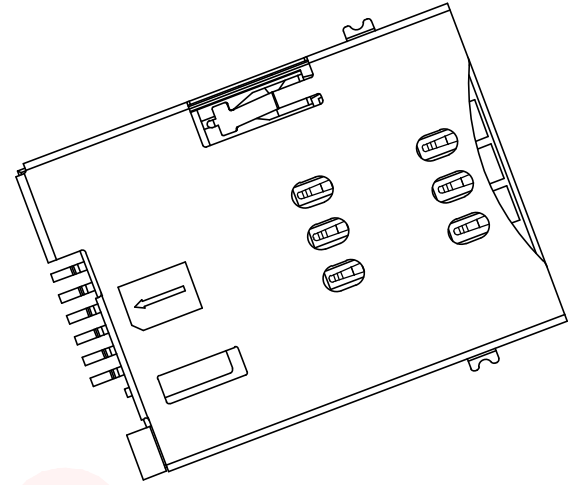
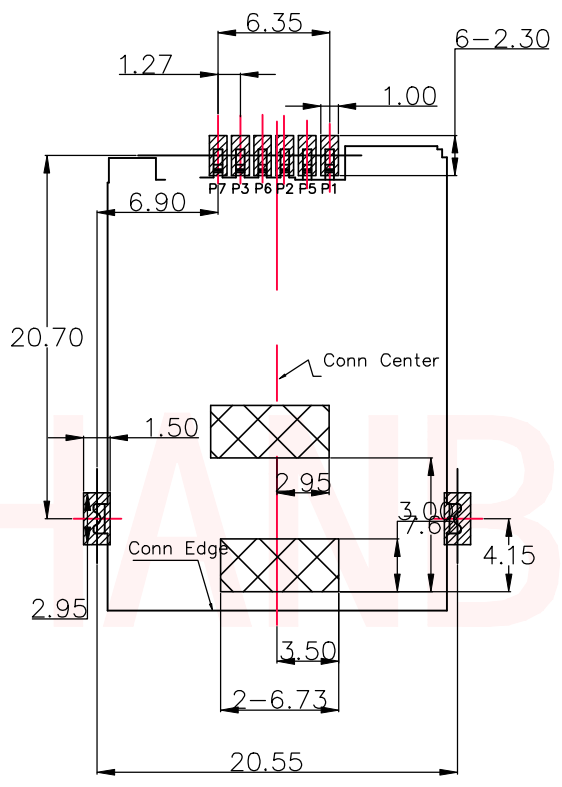
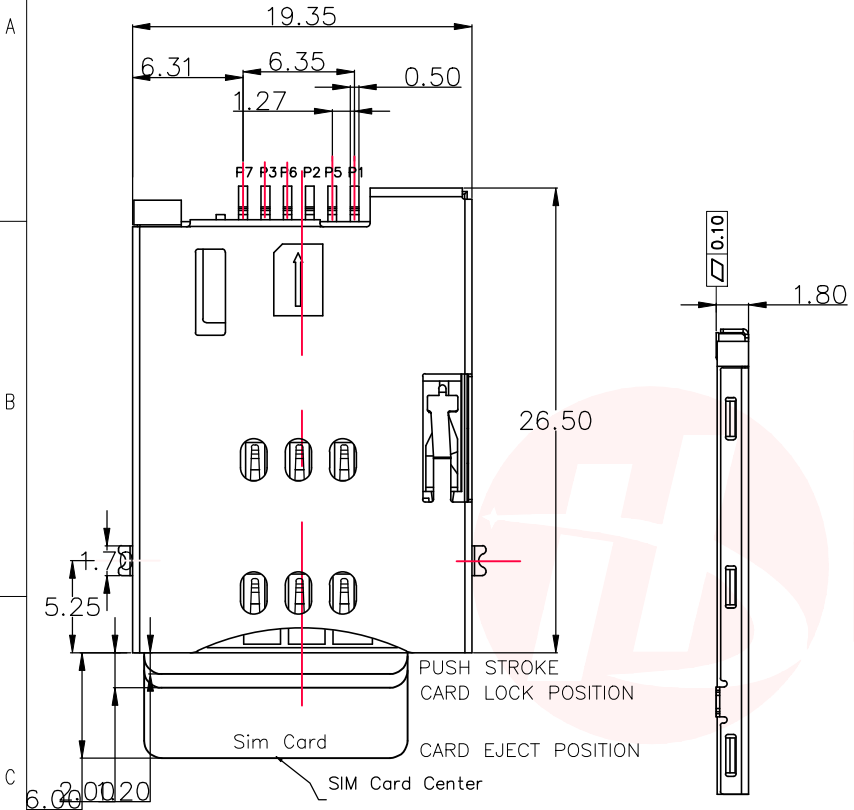




| REV. | ECN NO OR DESCRIPTION | REVISED | DATE |
|------|-----------------------|---------|------|
| | | | |



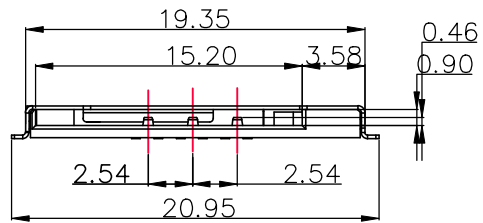
Specification:

- *Electrical Characteristics:
Current Rating:0.5A.
Withstanding Voltage:AC500V r.m.s.
Insulation Resistance:1000Megohms Minimum at DC 500V
Contact Resistance:100Miliohms Maximum.
- *Mechanical Characteristics:
Mating Cycles:3000 Insertions.
- *Environmntal:
Operating Temperture:-25°To+70°

RECOMMENDED PCB LAYOUT
GENERAL TOLERANCE ±0.05

PAD AREA

FORBIDDEN AREA

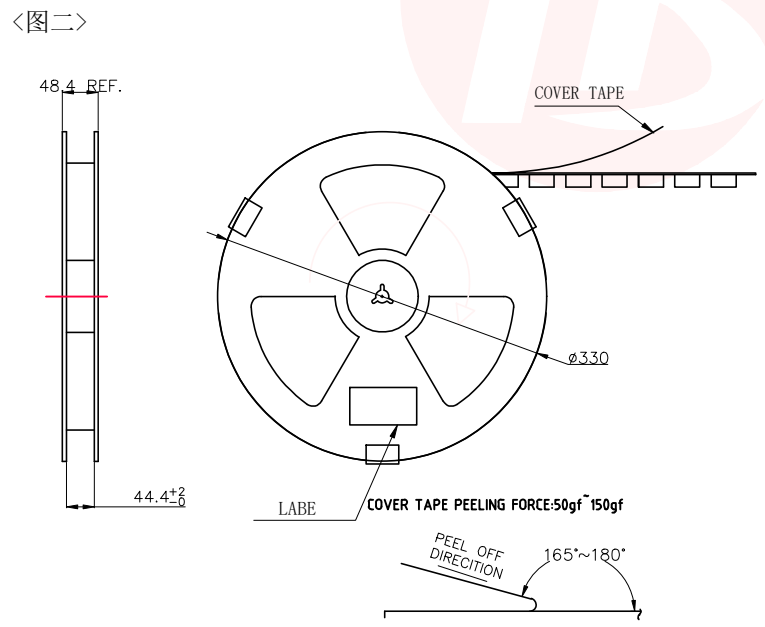
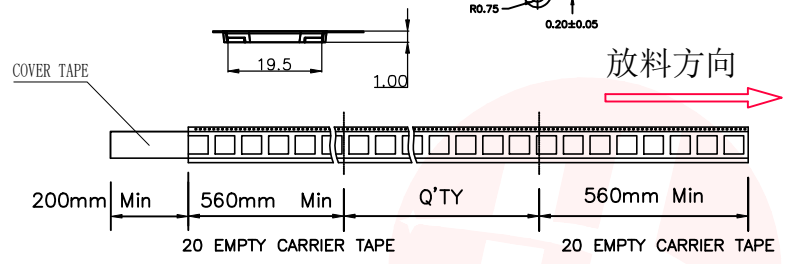
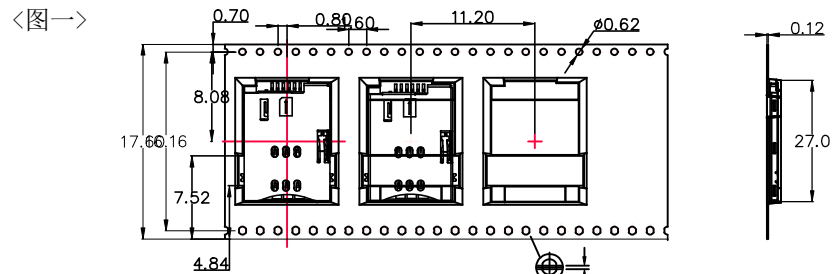


| CONNECTOR TERMINAL NO | PIN NO |
|-----------------------|------------------------------|
| PIN 1 | VCC:PWR SIGNAL AND GND |
| PIN 2 | RST:RESET SIGNAL |
| PIN 3 | CLK:CLOCKING SIGNAL |
| PIN 5 | GND:PWR SIGNAL AND GND |
| PIN 6 | VPP:PROGRAMMING VOLTAGE |
| PIN 7 | I/O:SERIAL DATA INPUT/OUTPUT |

| UNLESS OTHERWISE SPECIFED TOLERANCES | | 东莞市汉博电子科技有限公司 DONGGUAN HANBO TECHNOLOGY CO., LTD | | | |
|--------------------------------------|----------|---|--------------------------------|-----------------------|-------------|
| DECIMALS: | ANGLES: | TITLE | SIM CARD PUSH 6PIN H=1.80mm 无柱 | | |
| X :±0.45 | X :±2° | DWN | xiong | PART NO. SIM-1002W-P6 | |
| X.X :±0.35 | X.X :±1° | CHKD | lee | SCALE:1:1 | UNIT: mm |
| X.XX :±0.25 | | APVD | wang | SIZE: A4 | SHEET:10F 1 |
| | | | | | REV: A4 |
| | | | | CUSTOMER COPY | |



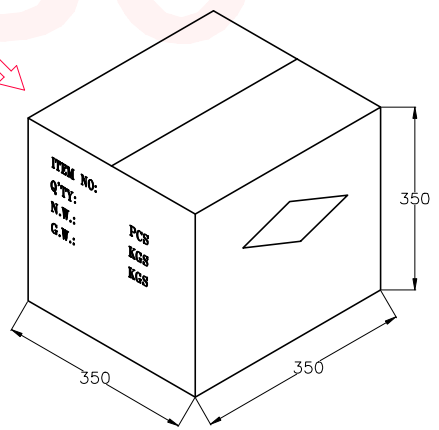
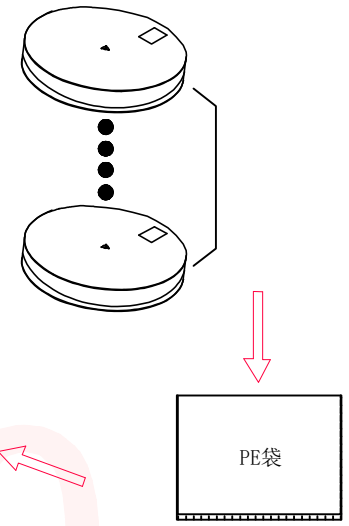
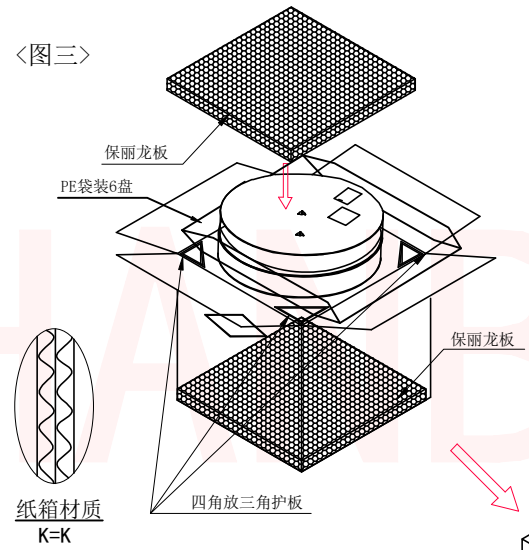
| | | | |
|------|-----------------------|---------|------|
| REV. | ECN NO OR DESCRIPTION | REVISED | DATE |
| | | | |



<TABLE 1> PACKAGING QUANTITY

| QTY/REEL | REEL/CARTON | QTY/CARTON |
|----------|-------------|------------|
| 550 | 6 | 3300 |

<图三>



- 备注:
- 依<图一>示放置产品于Carrier tape中, 每穴放置1PCS产品, Carrier tape卷绕时, 前端和尾端各需预留20PCS空格.
 - Cover tape覆盖Carrier tape前端需超出200mmMIN, 后端需留出300mmMIN, 两端都以美文胶贴固.
 - 包装机包好后, 在Reel的n个等分点贴上胶带, 以防止REEL张开, 每Reel贴1PCS标签, 如<图二>示
 - 包装数量见如<TABLE 1>示
 - 包装成箱见如<图三>示
箱底放保利龙板, 再将PE袋(6个Reel盘)放入箱内, 四角各放一个三角护板, 最上层再放上保利龙板.
 - 封箱, 在封好的纸箱侧面中间位置贴上出货标签.

| | | | | | |
|---------------------------------------|----------|---|--------------------------------|-----------------------|--------------|
| UNLESS OTHERWISE SPECIFIED TOLERANCES | | 东莞市汉博电子科技有限公司 DONGGUAN HANBO TECHNOLOGY CO., LTD | | | |
| DECIMALS: | ANGLES: | TITLE | SIM CARD PUSH 6PIN H=1.80mm 无桩 | | |
| X :±0.45 | X :±2° | DWN | xiong | PART NO. SIM-1002W-P6 | |
| X.X :±0.35 | X.X :±1° | CHKD | lee | SCALE: 1:1 | UNIT: mm |
| X.XX :±0.25 | | APVD | wang | SIZE: A4 | SHEET: 10F 1 |
| | | REV: A4 | | | |
| CUSTOMER COPY | | | | | |

X-ON Electronics

Largest Supplier of Electrical and Electronic Components

Click to view similar products for [Memory Card Connectors](#) category:

Click to view products by [Hanbo Electronic](#) manufacturer:

Other Similar products are found below :

[6407-249V-25273P](#) [6407-249V-25343P](#) [6426-201-21343](#) [69.920.0553.0](#) [MCR60A-98D-2.54DSA\(70\)](#) [809180410000000](#) [DM3AT-SF-PEJM5\(41\)](#) [IC11S-BUR-PNEJL\(71\)](#) [C70210M0083692](#) [2041353-2](#) [308-DS1P0811-192](#) [HM2P09PDR360N9LF](#) [10014744-011TLF](#) [11327-001](#) [11327-002](#) [NX1-32T-KT3K\(05\)](#) [95622-003LF](#) [84648-056HLF](#) [CCM03-3109 B LFT](#) [MS3116J10-6PW](#) [2309923-1](#) [61126-050CAHLF](#) [GTFP08432B1HR](#) [G85D1160022HHR](#) [SCE2MSDZN76A121SN](#) [10014744-011ALF](#) [10014744-011LF](#) [10057542-1211FLF](#) [10067972-000LF](#) [10067972-050LF](#) [10122302-20110LF](#) [G85D1162022HHR](#) [TF-05A](#) [M6014-12](#) [XKNANO-1412](#) [SMN-304-ARP6](#) [MIS11-S1F1-2000-A](#) [SMN-308-ARSP7](#) [MCS-302S-KT1B](#) [SMN-308-ACSP7](#) [K-DYX-008](#) [K-DYX-004](#) [HYCW126-TF18-150B](#) [C7024-03](#) [SMO-1030](#) [MCS-110-KT](#) [SIM-217](#) [SNO-1355-KT](#) [SMO-1025-P10](#) [SIM-211S-P6](#)