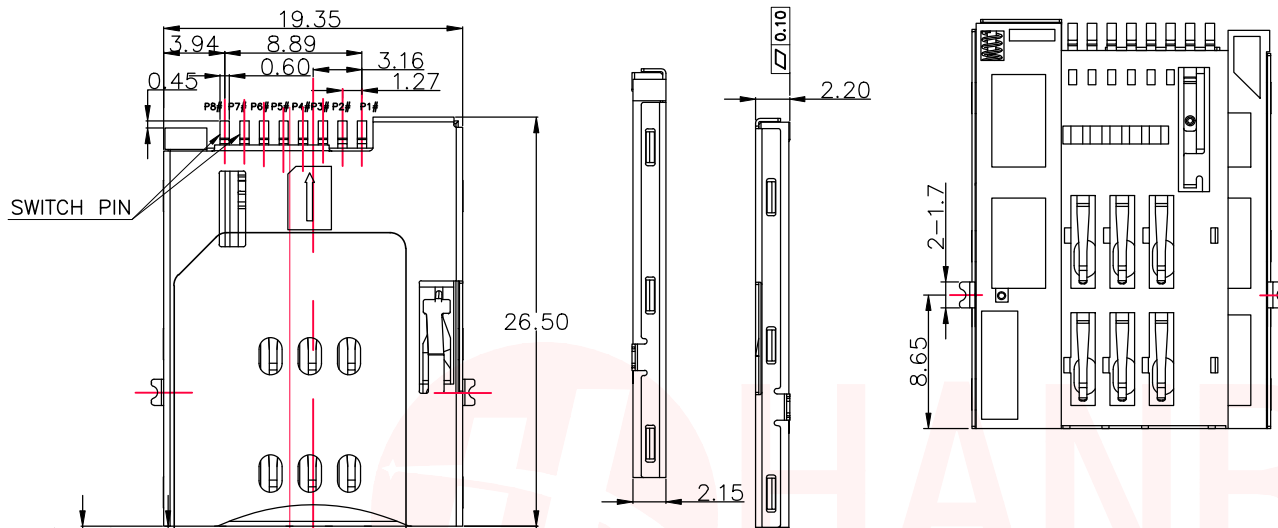


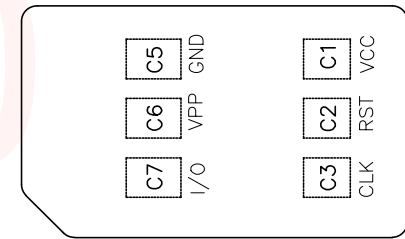


REV.	ECN NO OR DESCRIPTION	REVISED	DATE

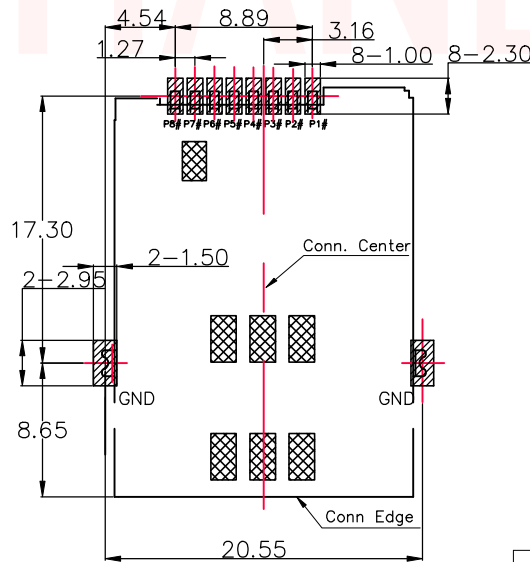
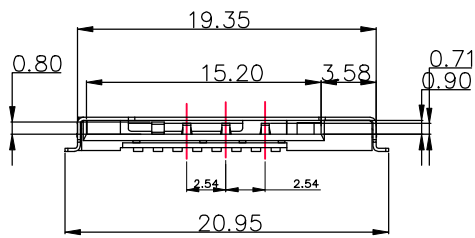


NOTES:

- MATERIAL:
HOUSING: LCP UL 94V-0
CONTACT: C5210R-H,T=0.15
SHELL: SUS201,T=0.15
MYLAR: POLYESTER
- FINISH :
CONTACT:GOLD FLASH PLATED ON CONTACT AREA;
GOLD FLASH PLATING ON SOLDER TAILS, WITH ENTIRE CONTACT UNDERPLATED 30u"Min,NICKEL
- SHELL: 50u"Min. NICKEL UNDERPLATED OVERALL , GOLD FLASH PLATED ON SOLDER TAILS
- INFRARED REFLOW SOLDERING: 10sec. Min. at 260±10
- PART NUMBER INFORMATION:

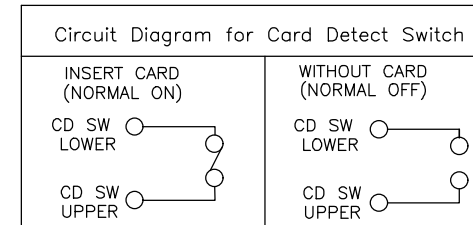


SIM 示意图
芯片面朝下视图

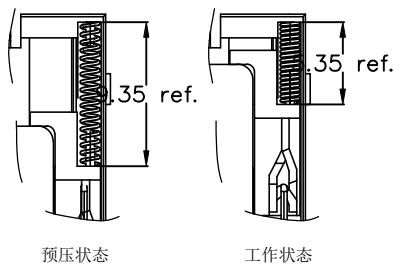


RECOMMENDED PCB LAYOUT(TOP VIEW)
GENERAL TOLERANCES:±0.05

- SOLDER AREA
- NONE CIRCUIT DIAGRAM AREA



PIN NO.	DESCRIPTION
P1#	C1:VCC
P2#	C5:GND
P3#	C2:RST
P4#	C6:VPP
P5#	C3:CLK
P6#	C7:I/O
P7#	POL
P8#	DET



UNLESS OTHERWISE SPECIFIED TOLERANCES

DECIMALS: X :±0.45 X.X :±0.35 X.XX :±0.25

ANGLES: X :±2° X.X :±1°

东莞市汉博电子科技有限公司
DONGGUAN HANBO TECHNOLOGY CO., LTD

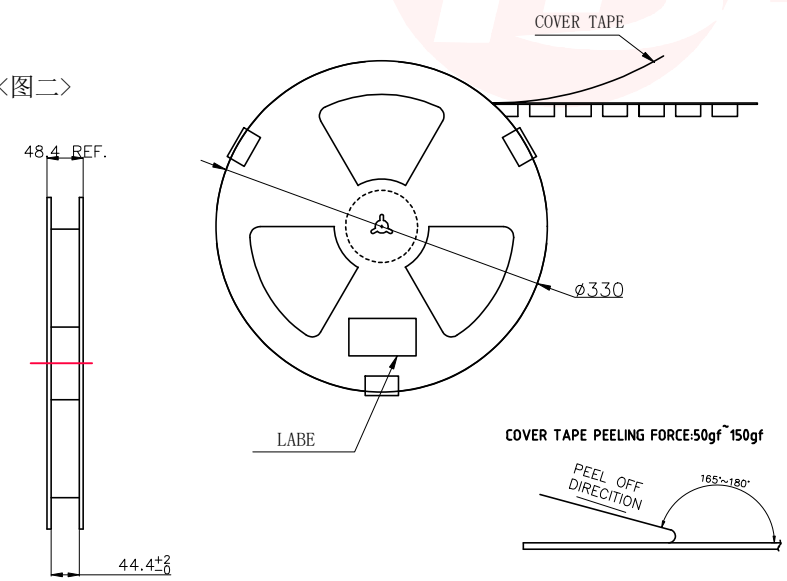
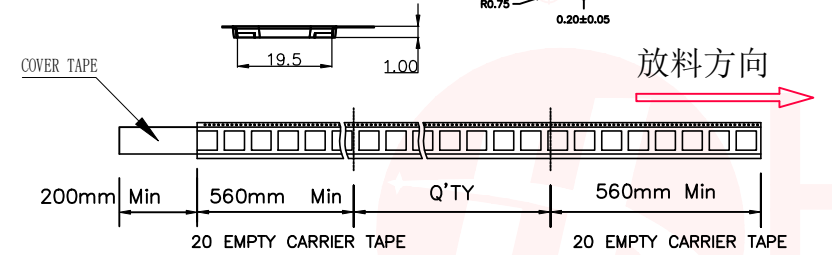
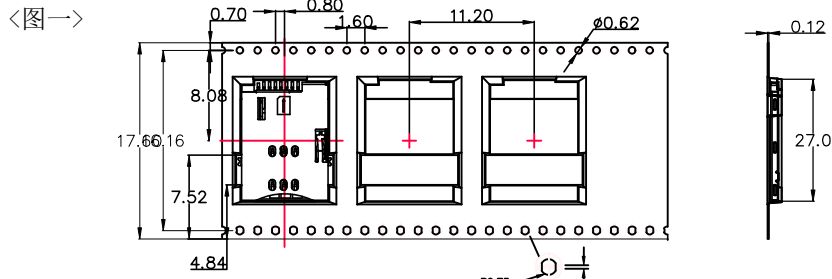
TITLE: PUSH SIM CARD 6+2PIN 2.20H 脚距8.65无柱

DWN	xiong	PART NO.	SIM-1004-P8
CHKD	lee	SCALE:1:1	UNIT: mm
APVD	wang	SIZE: A4	SHEET:10F 1

CUSTOMER COPY



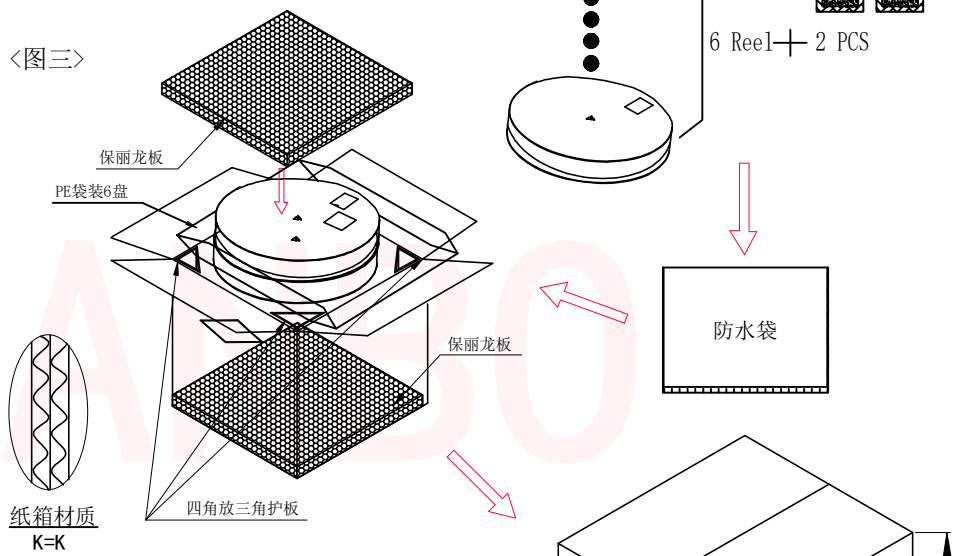
REV.	ECN NO OR DESCRIPTION	REVISED	DATE



<TABLE 1> PACKAGING QUANTITY

QTY/REEL	REEL/CARTON	QTY/CARTON
550	6	3300

<图三>



备注:

- 依<图一>示放置产品于Carrier tape中, 每穴放置1PCS产品, Carrier tape卷绕时, 前端和尾端各需预留20PCS空格.
- Cover tape覆盖Carrier tape前端需超出200mmMIN, 后端需留出300mmMIN, 两端都以美文胶贴固.
- 包装机包好后, 在Reel的个等分点贴上胶带, 以防止REEL张开, 每Reel贴1PCS标签, 如<图二>示
- 包装数量见如<TABLE 1>示
- 包装成箱见如<图三>示
- 箱底放保丽龙板, 再将PE袋 (6个Reel盘, 2PCS干燥剂) 放入箱内, 四角各放一个三角护板, 最上层再放上保丽龙板.
- 封箱, 在封好的纸箱侧面中间位置贴上出货标签.

UNLESS OTHERWISE SPECIFIED TOLERANCES

DECIMALS:	ANGLES:
X :±0.45	X :±2°
X.X :±0.35	X.X :±1°
X.XX :±0.25	

东莞市汉博电子科技有限公司
DONGGUAN HANBO TECHNOLOGY CO., LTD

TITLE	PUSH SIM CARD 6+2PIN 2.20H 脚距8.65无柱			
DWN	xiong	PART NO. SIM-1004-P8		
CHKD	lee	SCALE:1:1	UNIT: mm	
APVD	wang	SIZE: A4	SHEET:10F 1	REV: A4
CUSTOMER COPY				

X-ON Electronics

Largest Supplier of Electrical and Electronic Components

Click to view similar products for [Memory Card Connectors](#) category:

Click to view products by [Hanbo Electronic](#) manufacturer:

Other Similar products are found below :

[M21-033321-005](#) [6407-249V-25273P](#) [6407-249V-25343P](#) [6426-201-21343](#) [69.920.0553.0](#) [MCR60A-98D-2.54DSA\(70\)](#) [809180410000000](#)
[DM3AT-SF-PEJM5\(41\)](#) [IC11S-BUR-PNEJL\(71\)](#) [252-0144-000](#) [2041353-2](#) [308-DS1P0811-192](#) [HM2P09PDR360N9LF](#) [10014744-011TLF](#)
[11327-001](#) [11327-002](#) [617230001](#) [NX1-32T-KT3K\(05\)](#) [N7E50-U516RB-50-SIN0005](#) [68-580163-21S](#) [125A-78C00](#) [CCM03-3109 B LFT](#)
[2309923-1](#) [61126-050CAHLF](#) [IC1GA-68PD-1.27DS-EJ\(72\)](#) [GTFP08432B1HR](#) [SCE2MSDZN76A121SN](#) [10014744-011ALF](#) [10014744-](#)
[011LF](#) [10057542-1211FLF](#) [10067972-000LF](#) [10067972-050LF](#) [10122302-20110LF](#) [G85D1162022HHR](#) [MUP-C7809-1](#) [NANO SIM 7P](#)
[H1.37](#) [MICRO SIM 7P H1.35](#) [TF-CARD H1.8 SY](#) [MICRO SIM 6P H1.35](#) [TF-CARD H1.8](#) [TF-115Y-BCP9](#) [TF-115YY-ACP9](#) [SMN-309-](#)
[ARP6](#) [TF-115Y-ACP9](#) [TF-108-ARP10](#) [SMN-303S-ACP7](#) [SNO-14100](#) [SD-112S](#) [MUP-C7804-1](#) [KH-TF-07DT](#)