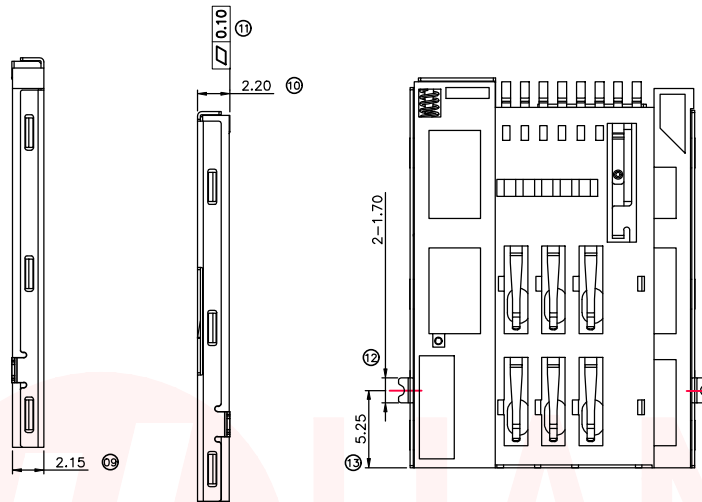
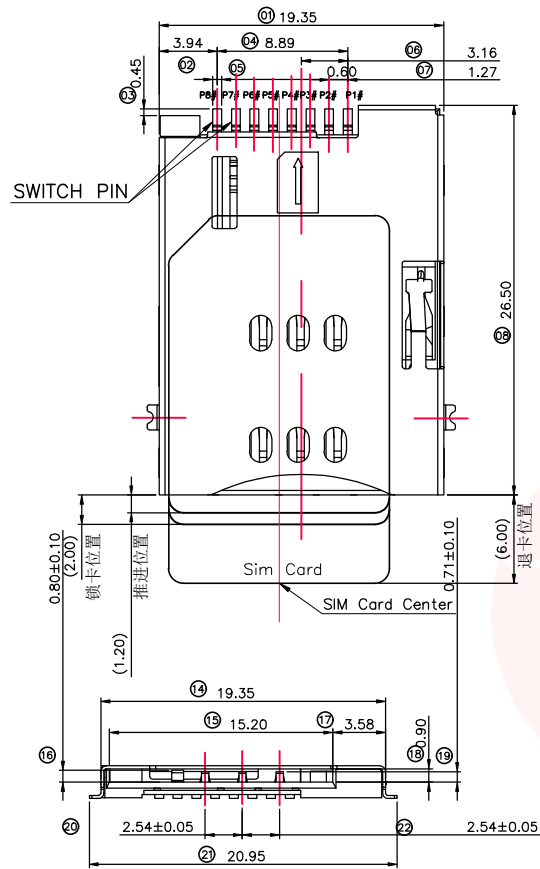


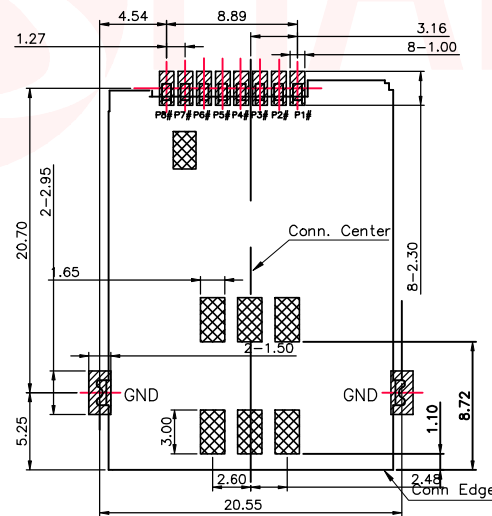
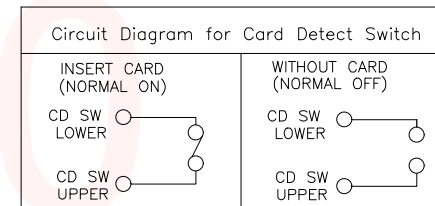
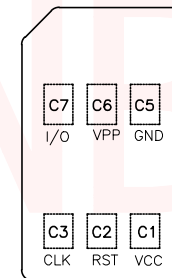


REV.	ECN NO OR DESCRIPTION	REVISED	DATE



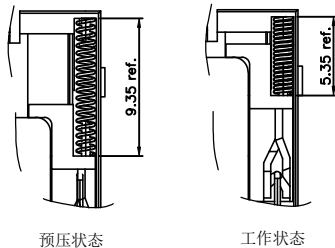
NOTES:

- MATERIAL:  
HOUSING: LCP UL 94V-0  
CONTACT: C5210R-H,T=0.15  
SHELL: SUS201,T=0.15  
MYLAR: POLYESTER
- FINISH :  
CONTACT:GOLD FLASH PLATED ON CONTACT AREA;  
GOLD FLASH PLATING ON SOLDER TAILS, WITH ENTIRE CONTACT UNDERPLATED 30u"Min. NICKEL  
SHELL: 50u"Min. NICKEL UNDERPLATED OVERALL ,  
GOLD FLASH PLATED ON SOLDER TAILS
- INFRARED REFLOW SOLDERING: 10sec. Min. at 260±10



SIM 示意图  
芯片面朝下视图

PIN NO.	DESCRIPTION
P1#	C1:VCC
P2#	C5:GND
P3#	C2:RST
P4#	C6:VPP
P5#	C3:CLK
P6#	C7:I/O
P7#	POL
P8#	DET



RECOMMENDED PCB LAYOUT(TOP VIEW)  
GENERAL TOLERANCES:±0.05

- SOLDER AREA
- NONE CIRCUIT DIAGRAM AREA

UNLESS OTHERWISE SPECIFIED TOLERANCES

DECIMALS:	ANGLES:
X :±0.45	X :±2°
X.X :±0.35	X.X :±1°
X.XX :±0.25	

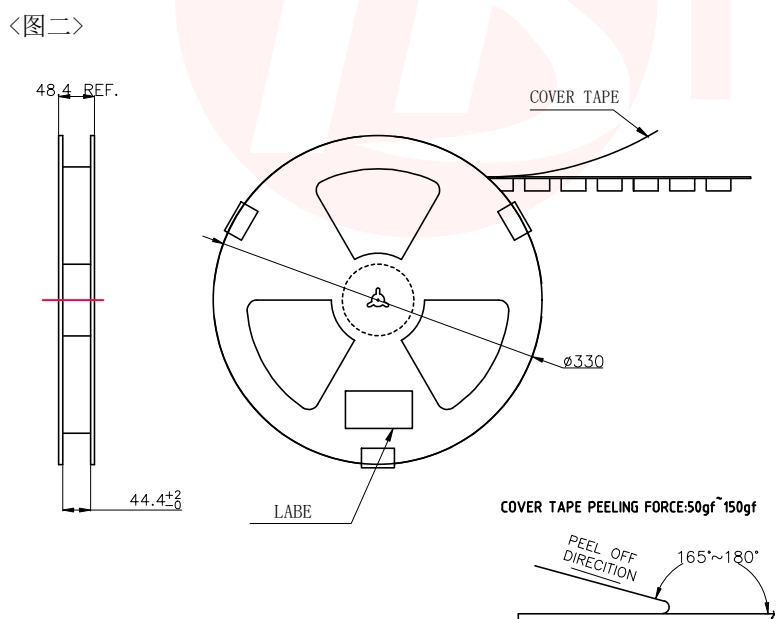
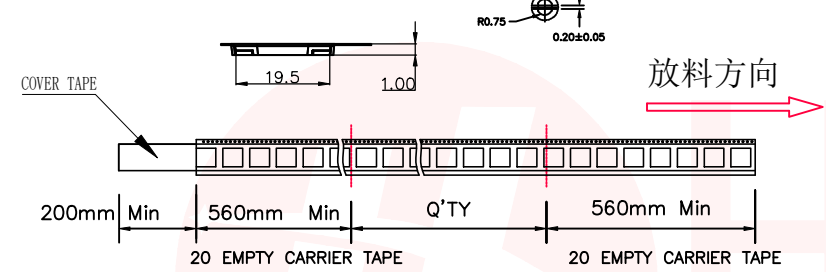
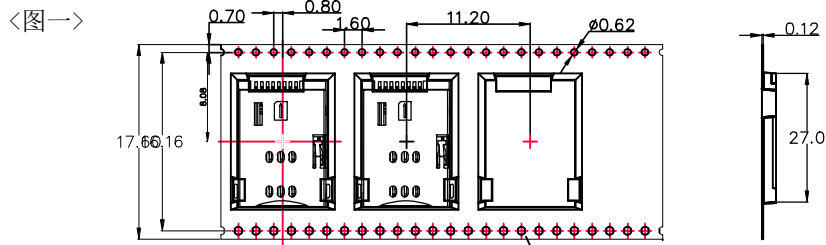


东莞市汉博电子科技有限公司  
DONGGUAN HANBO TECHNOLOGY CO., LTD

TITLE	PUSH SIM CARD 6+2PIN 2.20H 脚距5.25无柱		
DWN	xiong	PART NO. SIM-1005-P8	
CHKD	lee	SCALE:1:1	UNIT: mm
APVD	wang	SIZE: A4	SHEET:10F 1
REV: A4			
CUSTOMER COPY			



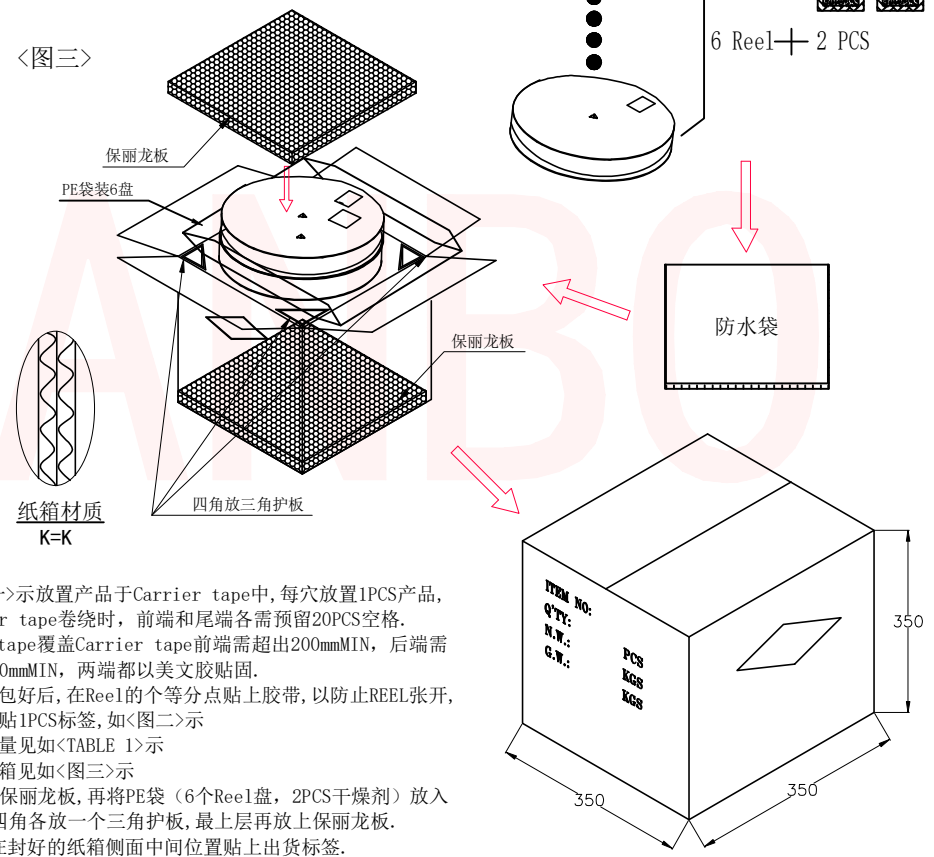
REV.	ECN NO OR DESCRIPTION	REVISED	DATE



<TABLE 1> PACKAGING QUANTITY

QTY/REEL	REEL/CARTON	QTY/CARTON
550	6	3300

<图三>



备注:

- 依<图一>示放置产品于Carrier tape中,每穴放置1PCS产品, Carrier tape卷绕时,前端和尾端各需预留20PCS空格.
- Cover tape覆盖Carrier tape前端需超出200mmMIN, 后端需留出300mmMIN, 两端都以美文胶贴固.
- 包装机包好后,在Reel的个等分点上贴胶带,以防止REEL张开,每Reel贴1PCS标签,如<图二>示
- 包装数量见如<TABLE 1>示
- 包装成箱见如<图三>示  
箱底放保丽龙板,再将PE袋(6个Reel盘,2PCS干燥剂)放入箱内,四角各放一个三角护板,最上层再放上保丽龙板.
- 封箱,在封好的纸箱侧面中间位置贴上出货标签.

UNLESS OTHERWISE SPECIFIED TOLERANCES		东莞市汉博电子科技有限公司 DONGGUAN HANBO TECHNOLOGY CO., LTD			
DECIMALS:		TITLE			
X	:±0.45	ANGLES:		PUSH SIM CARD 6+2PIN 2.20H 脚距5.25无柱	
X.X	:±0.35	DWN	xiong	PART NO. SIM-1005-P8	
X.XX	:±0.25	CHKD	lee	SCALE: 1:1	UNIT: mm
		APVD	wang	SIZE: A4	SHEET: 10F 1
		REV: A4			
CUSTOMER COPY					

## X-ON Electronics

Largest Supplier of Electrical and Electronic Components

*Click to view similar products for [Memory Card Connectors](#) category:*

*Click to view products by [Hanbo Electronic](#) manufacturer:*

Other Similar products are found below :

[M21-033321-005](#) [6407-249V-25273P](#) [6407-249V-25343P](#) [6426-201-21343](#) [69.920.0553.0](#) [MCR60A-98D-2.54DSA\(70\)](#) [809180410000000](#)  
[DM3AT-SF-PEJM5\(41\)](#) [IC11S-BUR-PNEJL\(71\)](#) [252-0144-000](#) [2041353-2](#) [308-DS1P0811-192](#) [HM2P09PDR360N9LF](#) [10014744-011TLF](#)  
[11327-001](#) [11327-002](#) [617230001](#) [NX1-32T-KT3K\(05\)](#) [N7E50-U516RB-50-SIN0005](#) [68-580163-21S](#) [125A-78C00](#) [CCM03-3109 B LFT](#)  
[2309923-1](#) [61126-050CAHLF](#) [IC1GA-68PD-1.27DS-EJ\(72\)](#) [GTFP08432B1HR](#) [SCE2MSDZN76A121SN](#) [10014744-011ALF](#) [10014744-](#)  
[011LF](#) [10057542-1211FLF](#) [10067972-000LF](#) [10067972-050LF](#) [10122302-20110LF](#) [G85D1162022HHR](#) [MUP-C7809-1](#) [NANO SIM 7P](#)  
[H1.37](#) [MICRO SIM 7P H1.35](#) [TF-CARD H1.8 SY](#) [MICRO SIM 6P H1.35](#) [TF-CARD H1.8](#) [TF-115Y-BCP9](#) [TF-115YY-ACP9](#) [SMN-309-](#)  
[ARP6](#) [TF-115Y-ACP9](#) [TF-108-ARP10](#) [SMN-303S-ACP7](#) [SNO-14100](#) [SD-112S](#) [MUP-C7804-1](#) [KH-TF-07DT](#)