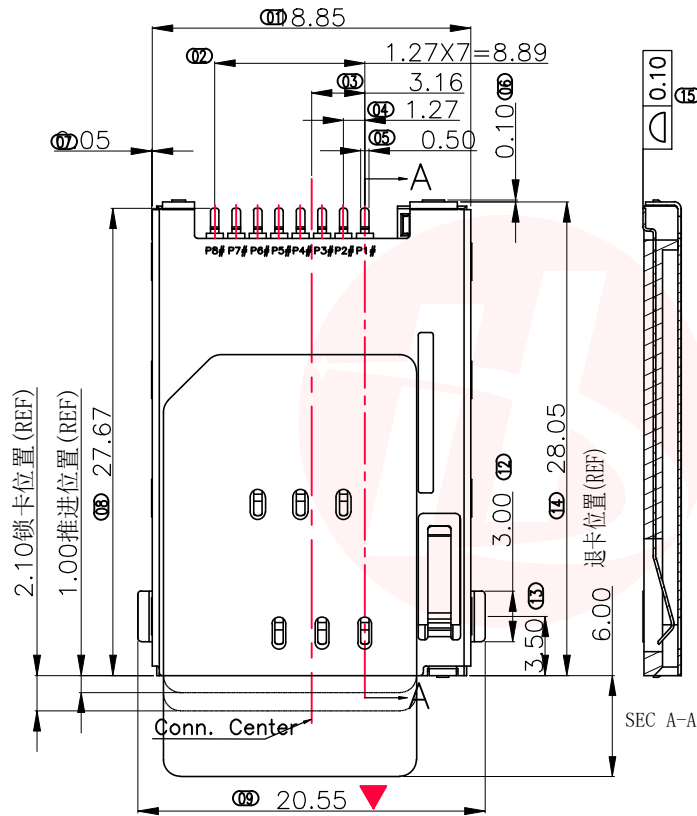
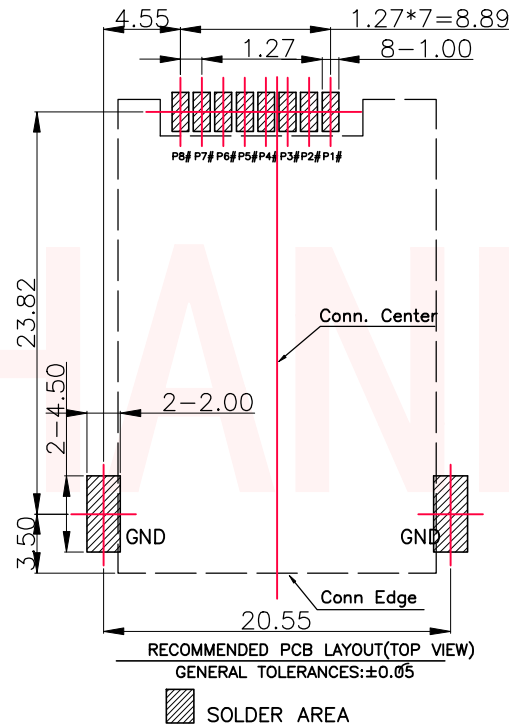




REV.	ECN NO OR DESCRIPTION	REVISED	DATE



SEC A-A

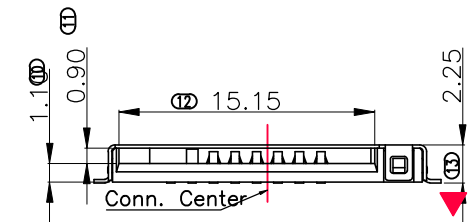


RECOMMENDED PCB LAYOUT (TOP VIEW)
GENERAL TOLERANCES: ±0.05

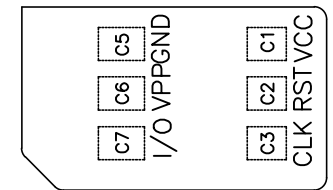
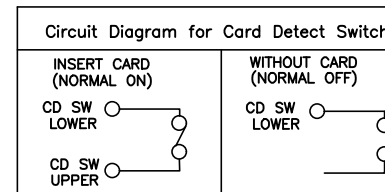
■ SOLDER AREA

Specification

- * Electrical Characteristics :
 - Current Rating: 0.5A AC/DC Max.
 - Dielectric Withstanding Voltage: 250V AC/DC
 - Insulation Resistance: 500M ohms Min.
 - Contact Resistance: 100m ohms Max.
- * Mechanical Characteristics:
 - Mating Cycles: 5000 Insertions.
- * Environmental :
 - Operating Temperature: -40°C to +85°C.
- * Material:
 - Housing: HI-Temp plastic UL 94V-0 Rated.
 - Contact: Copper Alloy.
 - Shell: Stainless Steel SUS 304, t=0.20mm.
- * Plating :
 - Terminal:
 - Contact area: Gold Flash Plated
 - Over 40u" Nickel.
 - Solder area: 80u" Tin Plated Over 40u" Nickel.
 - Under plate: 40u" Min. Nickel.
 - Shell:
 - 30u" Min. Nickel Plated Over All,
 - Solder Area: Gold Flash.



PIN NO.	DESCRIPTION
P1#	C1:VCC
P2#	C5:GND
P3#	C2:RST
P4#	C6:VPP
P5#	C3:CLK
P6#	C7:I/O
P7#	CD SW LOWER
P8#	CD SW UPPER



SIM 示意图
芯片面朝下视图

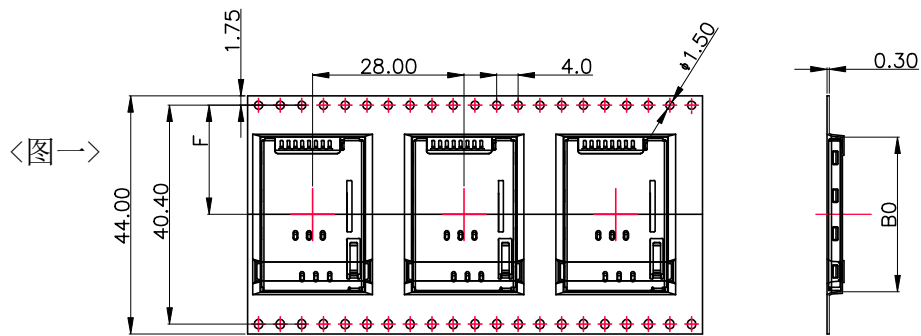
UNLESS OTHERWISE SPECIFIED TOLERANCES		东莞市汉博电子科技有限公司 DONGGUAN HANBO TECHNOLOGY CO., LTD	
DECIMALS:	ANGLES:	TITLE SIM PUSH 6+2PIN H2.2	
X : ±0.30	X : ±2°	DWN	xiong PART NO. SIM-1006-P8
X.X : ±0.20	X.X : ±1°	CHKD	lee SCALE:1:1 UNIT: mm
X.XX : ±0.10		APVD	wang SIZE: A4 SHEET:10F 1 REV: A4
CUSTOMER COPY			



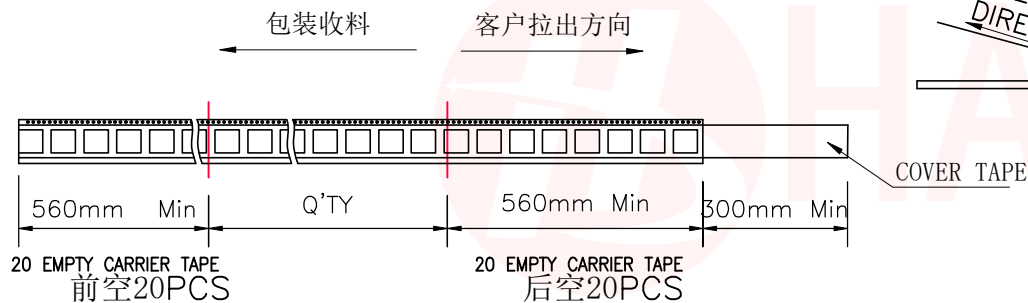
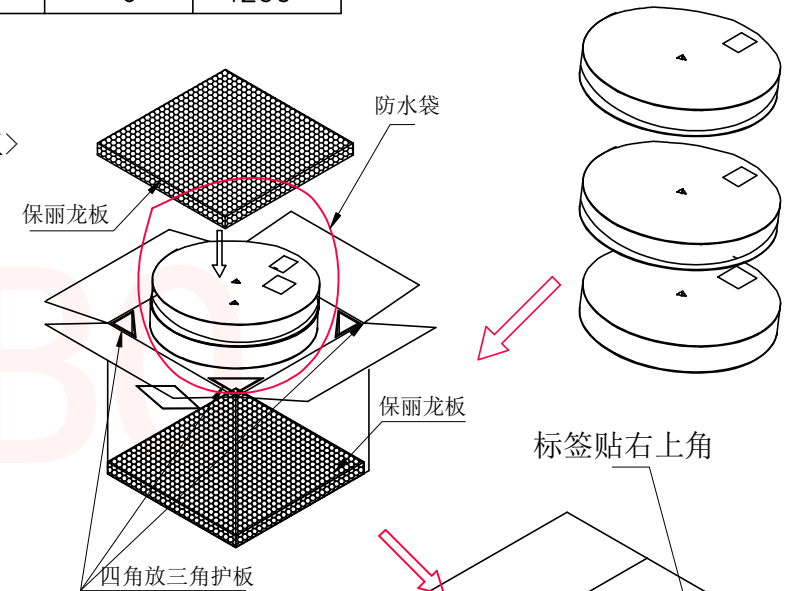
REV.	ECN NO OR DESCRIPTION	REVISED	DATE

<TABLE 1> PACKAGING QUANTITY

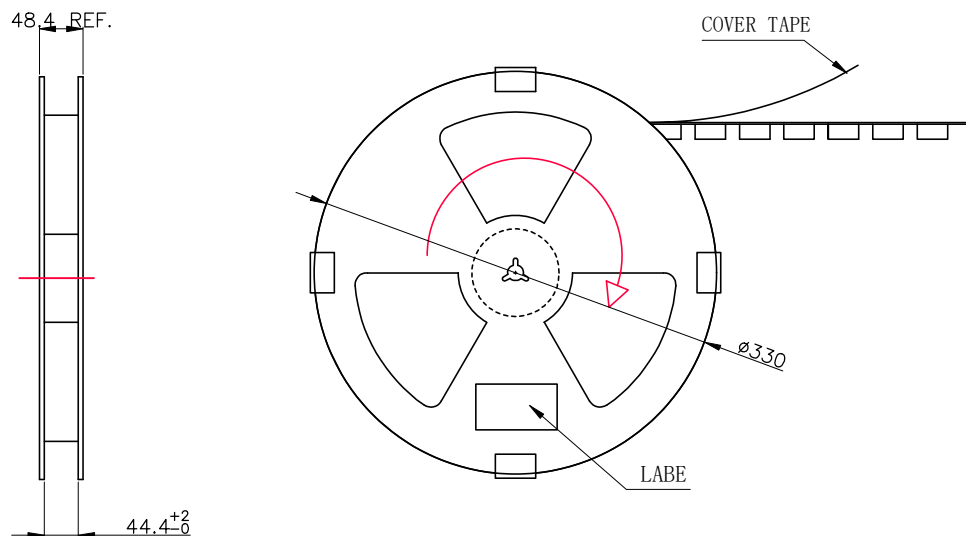
QTY/REEL	REEL/CARTON	QTY/CARTON
700	6	4200



<图三>

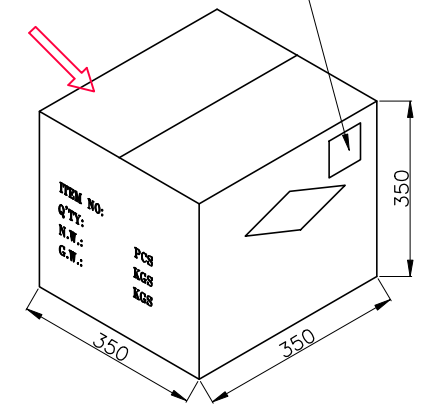


<图二>



NOTE:

- 依<图一>示放置产品于下载中, 每穴放置1PCS产品.
- 包装机包好后, 在REEL的个等分点贴上胶带, 以防止REEL张开, 每REEL贴1PCS标签, 如<图二>示
- 包装数量见如<TABLE 1>示
- 包装成箱见如<图三>示
箱底放保丽龙板, 再依次将指定数量的卷装产品放入箱内, 四角分别放入四个三角护板, 最上层再放上保丽龙板.
- 封箱, 在封好的纸箱上按客户要求写上料号, 数量等



UNLESS OTHERWISE SPECIFIED TOLERANCES

DECIMALS:	ANGLES:
X : ±0.30	X : ±2°
X.X : ±0.20	X.X : ±1°
X.XX : ±0.10	

东莞市汉博电子科技有限公司
DONGGUAN HANBO TECHNOLOGY CO., LTD

TITLE	SIM PUSH 6+2PIN H2.2		
DWN	xiong	PART NO. SIM-1006-P8	
CHKD	lee	SCALE:1:1	UNIT: mm
APVD	wang	SIZE: A4	SHEET:10F 1
			REV: A4

CUSTOMER COPY

X-ON Electronics

Largest Supplier of Electrical and Electronic Components

Click to view similar products for [Memory Card Connectors](#) category:

Click to view products by [Hanbo Electronic](#) manufacturer:

Other Similar products are found below :

[M21-033321-005](#) [6407-249V-25273P](#) [6407-249V-25343P](#) [6426-201-21343](#) [69.920.0553.0](#) [MCR60A-98D-2.54DSA\(70\)](#) [809180410000000](#)
[DM3AT-SF-PEJM5\(41\)](#) [IC11S-BUR-PNEJL\(71\)](#) [252-0144-000](#) [2041353-2](#) [308-DS1P0811-192](#) [HM2P09PDR360N9LF](#) [10014744-011TLF](#)
[11327-001](#) [11327-002](#) [617230001](#) [NX1-32T-KT3K\(05\)](#) [N7E50-U516RB-50-SIN0005](#) [68-580163-21S](#) [125A-78C00](#) [CCM03-3109 B LFT](#)
[2309923-1](#) [61126-050CAHLF](#) [IC1GA-68PD-1.27DS-EJ\(72\)](#) [GTFP08432B1HR](#) [SCE2MSDZN76A121SN](#) [10014744-011ALF](#) [10014744-](#)
[011LF](#) [10057542-1211FLF](#) [10067972-000LF](#) [10067972-050LF](#) [10122302-20110LF](#) [G85D1162022HHR](#) [MUP-C7809-1](#) [NANO SIM 7P](#)
[H1.37](#) [MICRO SIM 7P H1.35](#) [TF-CARD H1.8 SY](#) [MICRO SIM 6P H1.35](#) [TF-CARD H1.8](#) [TF-115Y-BCP9](#) [TF-115YY-ACP9](#) [SMN-309-](#)
[ARP6](#) [TF-115Y-ACP9](#) [TF-108-ARP10](#) [SMN-303S-ACP7](#) [SNO-14100](#) [SD-112S](#) [MUP-C7804-1](#) [KH-TF-07DT](#)