



REV.	ECN NO OR DESCRIPTION	REVISED	DATE

A

B

C

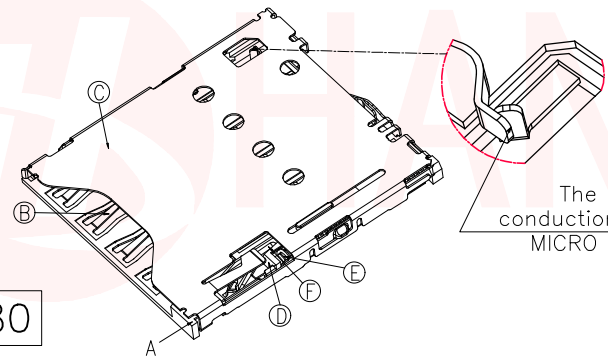
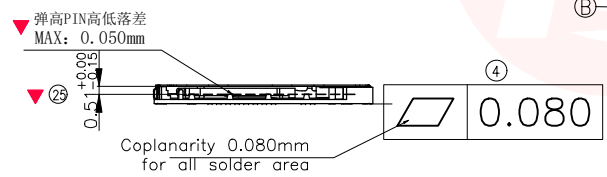
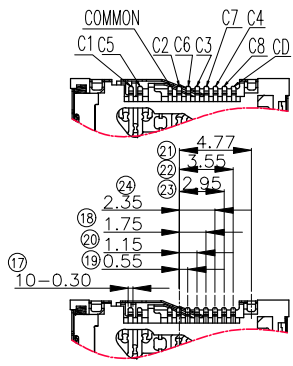
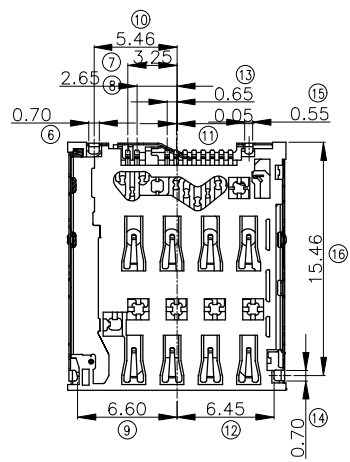
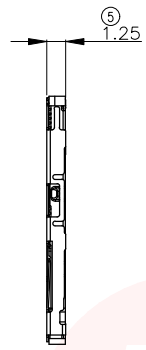
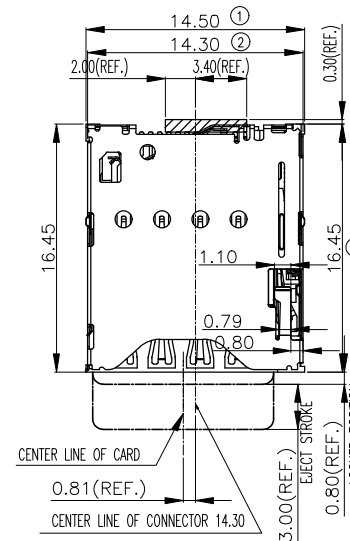
D

A

B

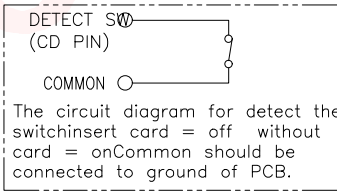
C

D

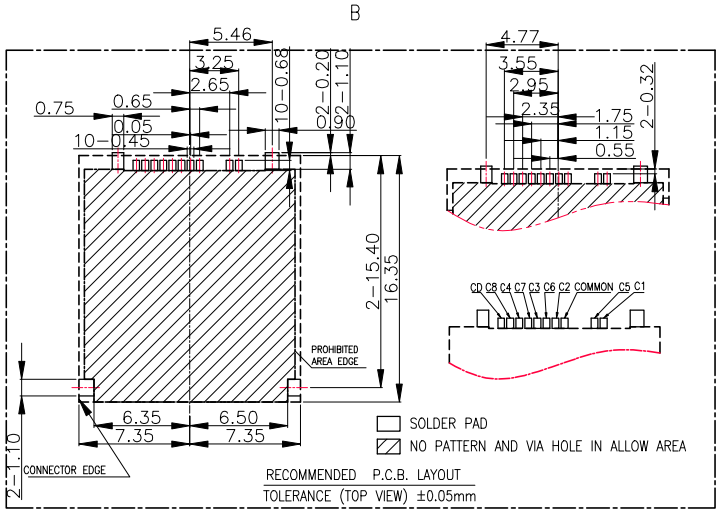
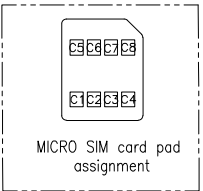


The switch is conduction without MICRO SIM card

SPECIFICATIONS:  
 1.ELECTRICAL CHARACTERISTICS:  
 1-1. CURRENT RATING: 1A  
 1-2. CONTACT RESISTANCE:  
 1-2-1. 100mΩ MAX. (INITIAL) (FOR C1/C2/C3/C4/C5/C6/C7/C8)  
 1-2-2. 500mΩ MAX. (INITIAL) (FOR CD/COMMON)  
 1-3. DIELECTRIC WITHSTANDING VOLTAGE: 500V AC FOR ONE MINUTE.  
 1-4. INSULATION RESISTANCE: 100MΩ MIN. BY 500V DC.  
 2. MECHANICAL CHARACTERISTICS:  
 2-1. LIFE TEST: 5000 CYCLES MIN.  
 3. ENVIRONMENTAL CHARACTERISTICS:  
 3-1. SALT MIST TEST CONDITION: PER IEC 68-2-52, SEVERITY(3)  
 3-2. OPERATING TEMPERATURE: -30°~+80°  
 3-3. TO CONFORM TO SINGATRON HAZARDOUS SUBSTANCE FREE SPEC.  
 3-4. RoHS COMPLIANT PRODUCT.  
 3-5. HALOGEN FREE PRODUCT IDENTIFICATION MARK:  
 3-6. HALOGEN FREE PRODUCT IDENTIFICATION LABEL ON PACKAGING:  
 4. OTHER GENERAL SPEC. TO REFER "2SM2019 SERIES SPEC."  
 5. FOR REFLOW SOLDERING LEAD-FREE PROCESS.  
 6. PACKAGING: TAPE & REEL.



The circuit diagram for detect the switchinsert card = off without card = onCommon should be connected to ground of PCB.



PIN NO.	PIN ASSIGNMENT
C1	SUPPLY VOLTAGE(VCC)
C2	RESET(RST)
C3	CLOCK(CLK)
C4	RESERVED FOR FUTURE USE(RFU)
C5	GROUND(GND)
C6	PROGRAMMING VOLTAGE(VPP)
C7	I/O
C8	RESERVED FOR FUTURE USE(RFU)

F	LINK	1	STAINLESS STEEL T=0.10	N/A
E	SPRING	1	SWP	NICKEL PLATING
D	SLIDE	1	HIGH TEMP.THERMOPLASTIC,UL94V-0 AND STAINLESS STEEL	BLACK
C	SHELL	1	SUS 301 1/2H T=0.1	NICKEL PLATING
B	CONTACT	1	C5210 EH T=0.10 4SM2019-002002	3μ" GOLD PLATING ONCONTACT AREA AND SOLDER AREA ,50μ" MIN NICKEL UNDER PLATING
A	HOUSING	1	LCP+35%GF S475 UL94V-0	BLACK

UNLESS OTHERWISE SPECIFIED TOLERANCES

DECIMALS: X ±0.20 X.X ±0.10 X.XX ±0.05

ANGLES: X ±2° X.X ±1°

TITLE: MICRO SIM 1.25H Card Connector

DWN xiong PART NO. SMO-1025-P10

CHKD lee SCALE:1:1 UNIT: mm

APVD wang SIZE: A4 SHEET:1OF 1 REV: A4

CUSTOMER COPY

东莞市汉博电子科技有限公司  
DONGGUAN HANBO TECHNOLOGY CO., LTD

## X-ON Electronics

Largest Supplier of Electrical and Electronic Components

*Click to view similar products for [Memory Card Connectors](#) category:*

*Click to view products by [Hanbo Electronic](#) manufacturer:*

Other Similar products are found below :

[6407-249V-25273P](#) [6407-249V-25343P](#) [6426-201-21343](#) [69.920.0553.0](#) [MCR60A-98D-2.54DSA\(70\)](#) [809180410000000](#) [DM3AT-SF-PEJM5\(41\)](#) [IC11S-BUR-PNEJL\(71\)](#) [C70210M0083692](#) [2041353-2](#) [308-DS1P0811-192](#) [HM2P09PDR360N9LF](#) [10014744-011TLF](#) [11327-001](#) [11327-002](#) [NX1-32T-KT3K\(05\)](#) [95622-003LF](#) [84648-056HLF](#) [CCM03-3109 B LFT](#) [MS3116J10-6PW](#) [2309923-1](#) [61126-050CAHLF](#) [GTFP08432B1HR](#) [G85D1160022HHR](#) [SCE2MSDZN76A121SN](#) [10014744-011ALF](#) [10014744-011LF](#) [10057542-1211FLF](#) [10067972-000LF](#) [10067972-050LF](#) [10122302-20110LF](#) [G85D1162022HHR](#) [TF-05A](#) [M6014-12](#) [XKNANO-1412](#) [SMN-304-ARP6](#) [MIS11-S1F1-2000-A](#) [SMN-308-ARSP7](#) [MCS-302S-KT1B](#) [SMN-308-ACSP7](#) [K-DYX-008](#) [K-DYX-004](#) [HYCW126-TF18-150B](#) [C7024-03](#) [SMO-1030](#) [MCS-110-KT](#) [SIM-217](#) [SNO-1355-KT](#) [SMO-1025-P10](#) [SIM-211S-P6](#)