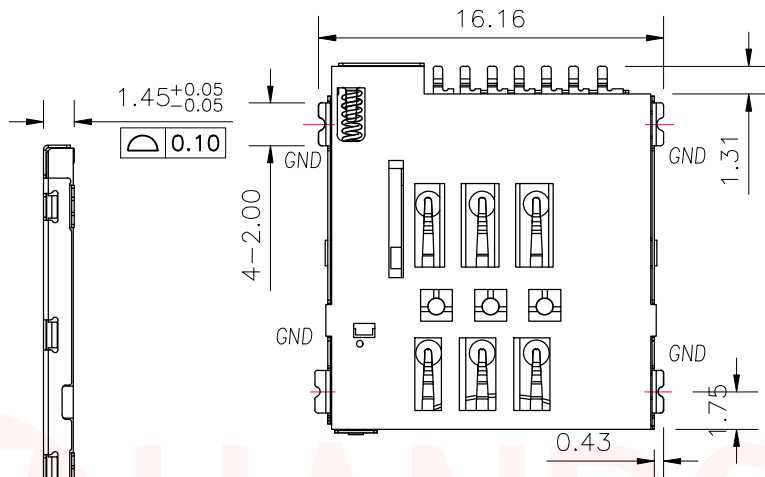
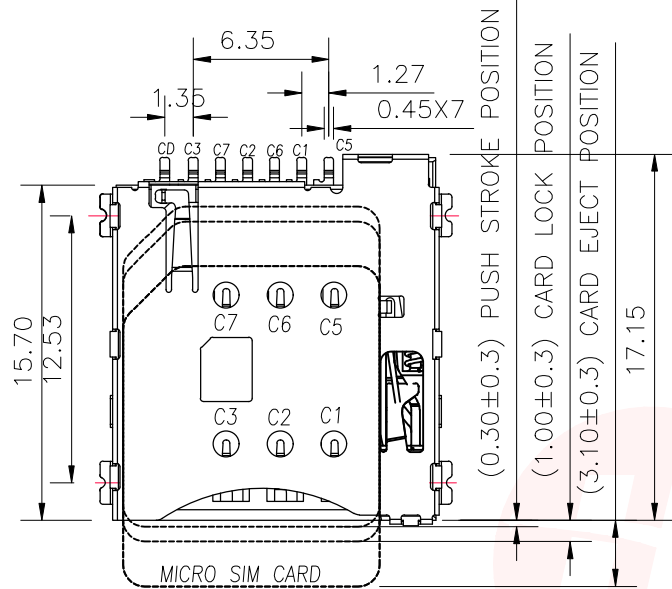




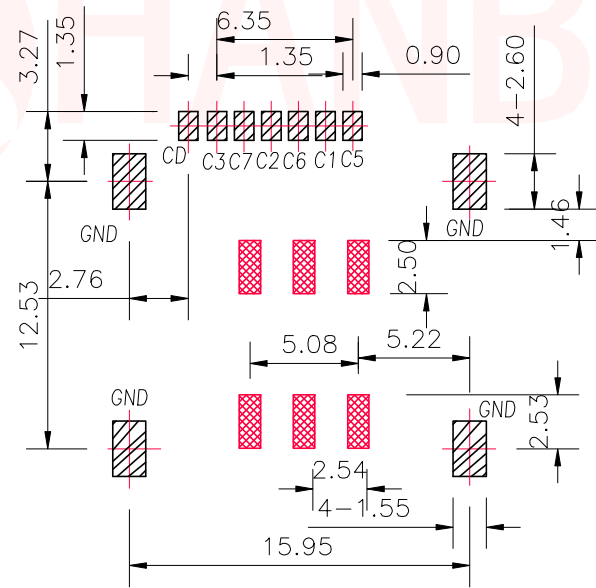
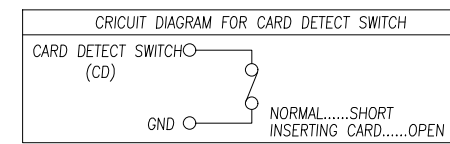
REV.	ECN NO OR DESCRIPTION	REVISED	DATE



- MATERIAL:
 - HOUSING:LCP,UL94-V0,COLOR:BLACK
 - CONTACT:C5210R-H
 - SHELL:SUS304-H
- FINISH:
 - TERMINAL:30 u" Min.NICKEL PLATED OVERALL
 - CONTACT:GOLD FLASH PLATED ON CONTACT AREA; GOLD FLASH PLATED ON SOLDER TAILS;
- ELECTRICAL CHARACTERISTICS

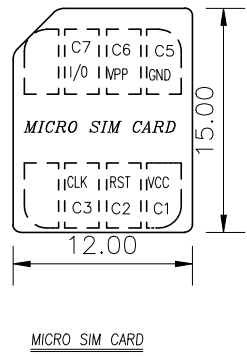
RATING CURRENT : 0.5A MAX.
 CONTACT RESISTANCE :30 mΩ MAX
 DIELECTRIC WITHSTANDING : 500V AC MIN.
 INSULATION RESISTANCE: 1000 MΩ MIN.
- MECHANICAL CHARACTERISTICS

MATING CYCLE :3000 CYCLES
 Contact retention force: 50gf/pin Min.



■ CIRCUIT TRACE KEEP OUT AREA
 ■ SMT SOLDER AREA
 THERE SHOULD NOT BE ANY CIRCUITRIES IN THE LAYOUT SPACE OF THE PRODUCTS.
RECOMMENDED PCB LAYOUT
 GENERAL TOLERANCE ±0.05

SIM pin Assignment	
PIN#	Name
C1	VCC
C2	RST
C3	CLK
C5	GND
C6	VPP
C7	I/O



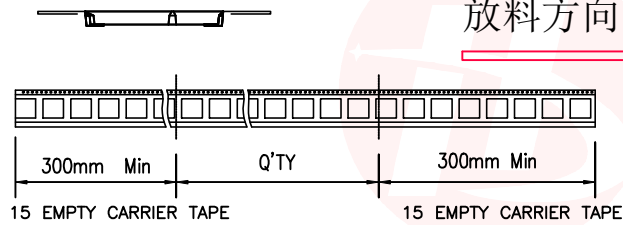
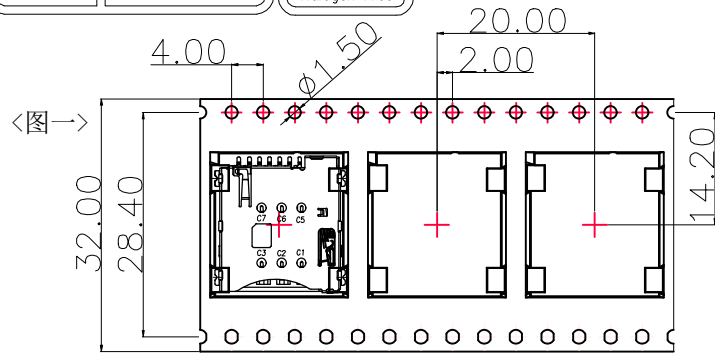
UNLESS OTHERWISE SPECIFIED TOLERANCES		东莞市汉博电子科技有限公司 DONGGUAN HANBO TECHNOLOGY CO., LTD	
DECIMALS:	ANGLES:	TITLE MICRO SIM CARD PUSH PUSH 7PIN 1.45H带CD PIN (螃蟹型)	
X :±0.35	X :±2°	DWN	xiong PART NO. SMO-1026-P7
X.X :±0.25	X.X :±1°	CHKD	lee SCALE:1:1 UNIT: mm
X.XX :±0.15		APVD	wang SIZE: A4 SHEET:10F 1 REV: A4
CUSTOMER COPY			



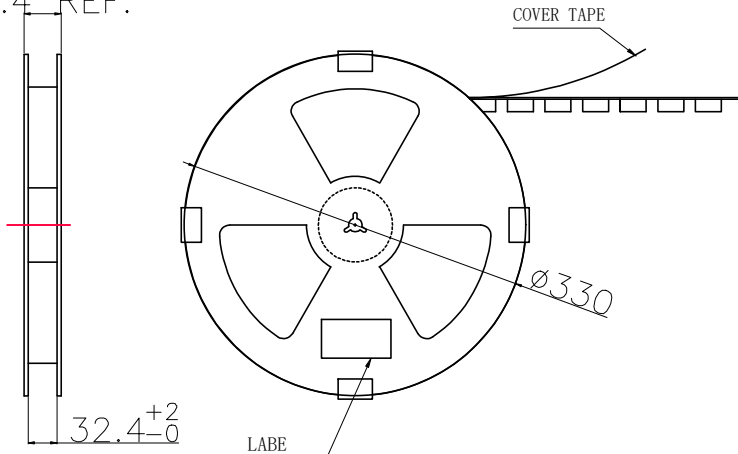
REV.	ECN NO OR DESCRIPTION	REVISED	DATE

<TABLE 1> PACKAGING QUANTITY

QTY/REEL	REEL/CARTON	QTY/CARTON
1200	9	10800

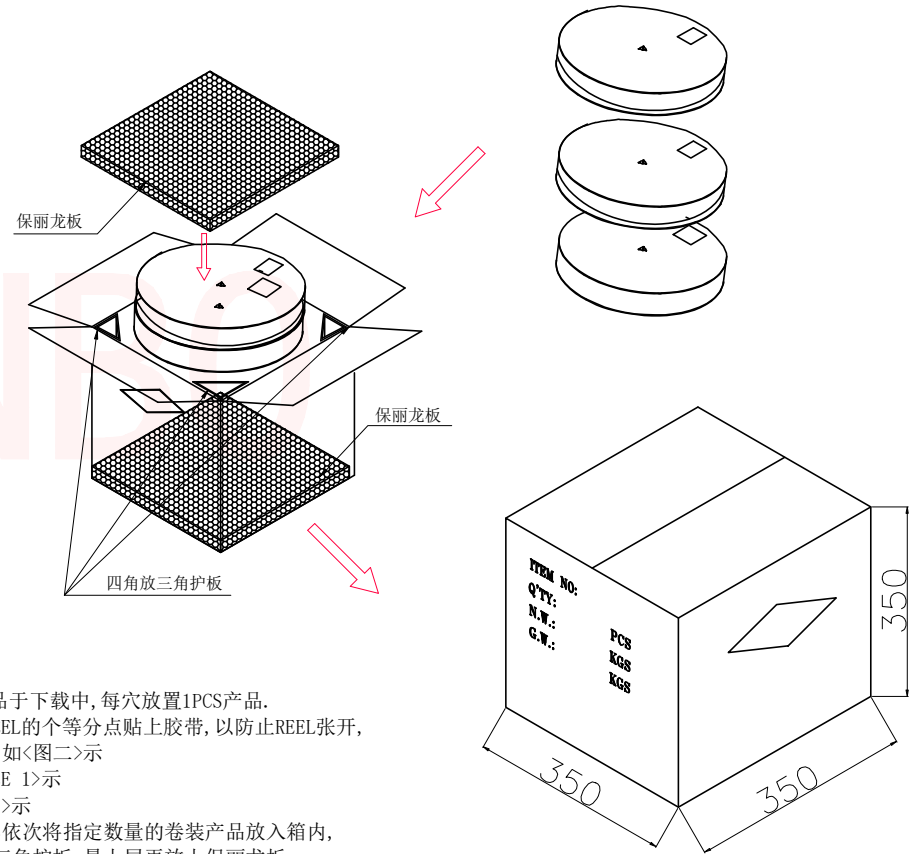
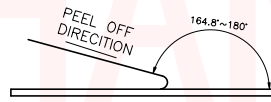


<图二>
36.4 REF.
32.4⁺²/₋₀



<图三>

COVER TAPE PEELING FORCE: 20gf~100gf



NOTE:

- 依<图一>示放置产品于下载中, 每穴放置1PCS产品.
- 包装机包好后, 在REEL的个等分点贴上胶带, 以防止REEL张开, 每REEL贴1PCS标签, 如<图二>示
- 包装数量见如<TABLE 1>示
- 包装成箱见如<图三>示
箱底放保利龙板, 再依次将指定数量的卷装产品放入箱内, 四角分别放入四个三角护板, 最上层再放上保利龙板.
- 封箱, 在封好的纸箱上按客户要求写上料号, 数量等

UNLESS OTHERWISE SPECIFIED TOLERANCES

DECIMALS:	ANGLES:
X :±0.30	X :±2°
X.X :±0.20	X.X :±1°
X.XX :±0.10	



东莞市汉博电子科技有限公司
DONGGUAN HANBO TECHNOLOGY CO., LTD

TITLE	MICRO SIM CARD PUSH PUSH 7PIN 1.45H#CD PIN (游梁型)			
DWN	xiong	PART NO. SMO-1026-P7		
CHKD	lee	SCALE: 1:1	UNIT: mm	
APVD	wang	SIZE: A4	SHEET: 10F 1	REV: A4
CUSTOMER COPY				

X-ON Electronics

Largest Supplier of Electrical and Electronic Components

Click to view similar products for [Memory Card Connectors](#) category:

Click to view products by [Hanbo Electronic](#) manufacturer:

Other Similar products are found below :

[M21-033321-005](#) [6407-249V-25273P](#) [6407-249V-25343P](#) [6426-201-21343](#) [69.920.0553.0](#) [MCR60A-98D-2.54DSA\(70\)](#) [809180410000000](#)
[DM3AT-SF-PEJM5\(41\)](#) [IC11S-BUR-PNEJL\(71\)](#) [252-0144-000](#) [2041353-2](#) [308-DS1P0811-192](#) [HM2P09PDR360N9LF](#) [10014744-011TLF](#)
[11327-001](#) [11327-002](#) [617230001](#) [NX1-32T-KT3K\(05\)](#) [N7E50-U516RB-50-SIN0005](#) [68-580163-21S](#) [125A-78C00](#) [CCM03-3109 B LFT](#)
[2309923-1](#) [61126-050CAHLF](#) [IC1GA-68PD-1.27DS-EJ\(72\)](#) [GTFP08432B1HR](#) [SCE2MSDZN76A121SN](#) [10014744-011ALF](#) [10014744-](#)
[011LF](#) [10057542-1211FLF](#) [10067972-000LF](#) [10067972-050LF](#) [10122302-20110LF](#) [G85D1162022HHR](#) [MUP-C7809-1](#) [NANO SIM 7P](#)
[H1.37](#) [MICRO SIM 7P H1.35](#) [TF-CARD H1.8 SY](#) [MICRO SIM 6P H1.35](#) [TF-CARD H1.8](#) [TF-115Y-BCP9](#) [TF-115YY-ACP9](#) [SMN-309-](#)
[ARP6](#) [TF-115Y-ACP9](#) [TF-108-ARP10](#) [SMN-303S-ACP7](#) [SNO-14100](#) [SD-112S](#) [MUP-C7804-1](#) [KH-TF-07DT](#)