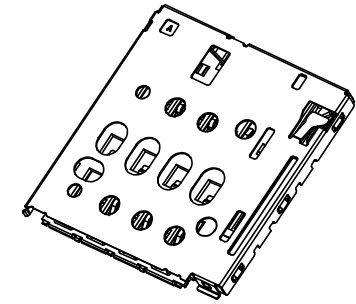
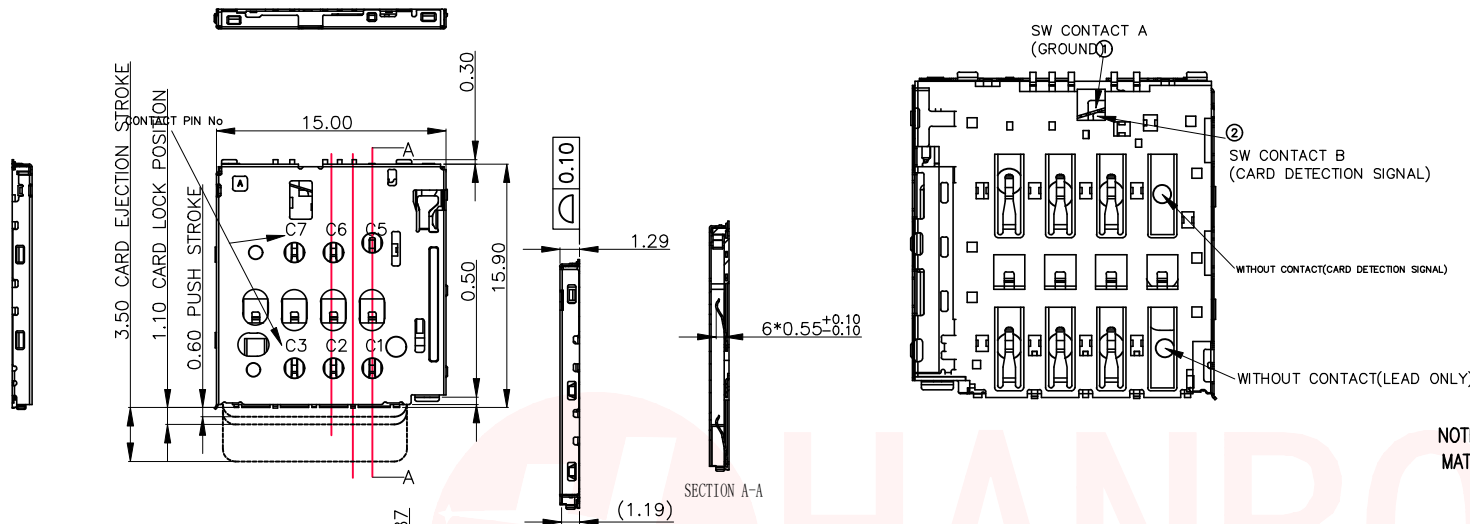
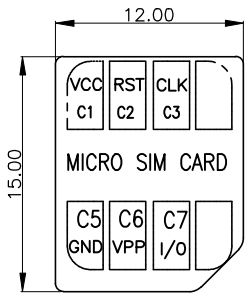
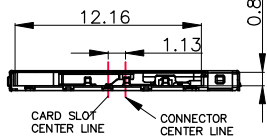




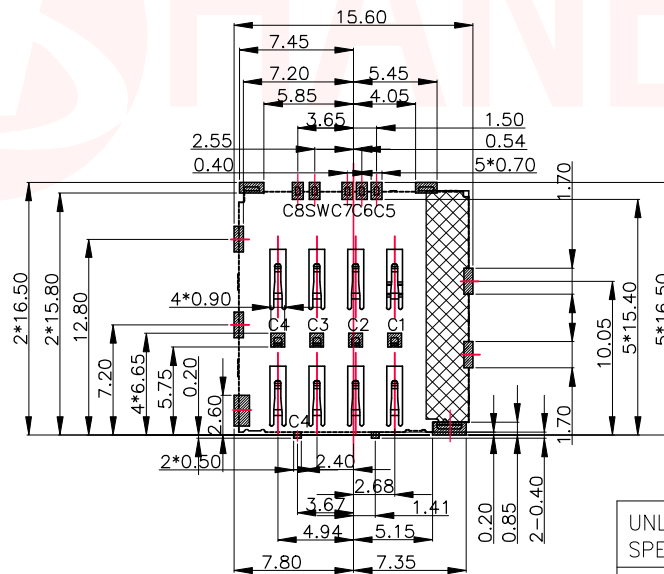
REV.	ECN NO OR DESCRIPTION	REVISED	DATE



3D REFERENCE MODE(F)



SIM pin Assignment	
PIN#	Name
C1	VCC
C2	RST
C3	CLK
C5	GND
C6	VPP
C7	I/O



NOTES:  
 MATERIAL:  
 Housing: High Temperature Thermoplastic, UL 94V-0.  
 Contact: Copper Alloy  
 Shell: SUS  
 PLATING:  
 Contact: Contact Area: Au 1u", Solder area: Gold Flash;  
 Shell: Plate 30u" Ni Over Au Min all over  
 Solder area: Gold  
 Electrical: Flash  
 Current Rating :0.5mA max.  
 Voltage Rating :50V DC MAX  
 Ambient Temperature Range :-20°C~+85°C  
 Storage Temperature Range :-40°C~+70°C  
 Ambient Humidity Range :95% R.H. Max.  
 Contact Resistance:100mΩ max.  
 Insulation Resistance:1000MΩ min./250V DC  
 Dielectric Withstanding Voltage:500V AC  
 Mating Cycles:3,000 Insertions  
 Temperature: 260°C ±5"

MICRO SIM CARD

RECOMMENDED PCB LAYOUT  
 GENERAL TOLERANCE ±0.05

■ CIRCUIT TRACE KEEP OUT AREA  
 ▨ SMT SOLDER AREA

CARD INSERTION	STATE	CARD DETECT SW
CARD UN-INSERTION	CLOSE	② SW CONTACT B (CARD DETECTION SIGNAL) ① SW CONTACT A (USE ONL)
CARD INSERTION	OPEN	② SW CONTACT B (CARD DETECTION SIGNAL) ① SW CONTACT A (USE ONL)

UNLESS OTHERWISE SPECIFIED TOLERANCES		东莞市汉博电子科技有限公司 DONGGUAN HANBO TECHNOLOGY CO., LTD			
DECIMALS:	ANGLES:	TITLE	MICRO SIM PUSH PUSH 1.29H 卡座		
X :±0.30	X :±2°	DWN	xiong	PART NO. SMO-1030	
X.X :±0.20	X.X :±1°	CHKD	lee	SCALE:1:1	UNIT: mm
X.XX :±0.10		APVD	wang	SIZE: A4	SHEET:10F 1
CUSTOMER COPY					

## X-ON Electronics

Largest Supplier of Electrical and Electronic Components

*Click to view similar products for [Memory Card Connectors](#) category:*

*Click to view products by [Hanbo Electronic](#) manufacturer:*

Other Similar products are found below :

[6407-249V-25273P](#) [6407-249V-25343P](#) [6426-201-21343](#) [69.920.0553.0](#) [MCR60A-98D-2.54DSA\(70\)](#) [809180410000000](#) [DM3AT-SF-PEJM5\(41\)](#) [IC11S-BUR-PNEJL\(71\)](#) [C70210M0083692](#) [2041353-2](#) [308-DS1P0811-192](#) [HM2P09PDR360N9LF](#) [10014744-011TLF](#) [11327-001](#) [11327-002](#) [NX1-32T-KT3K\(05\)](#) [95622-003LF](#) [84648-056HLF](#) [CCM03-3109 B LFT](#) [MS3116J10-6PW](#) [2309923-1](#) [61126-050CAHLF](#) [GTFP08432B1HR](#) [G85D1160022HHR](#) [SCE2MSDZN76A121SN](#) [10014744-011ALF](#) [10014744-011LF](#) [10057542-1211FLF](#) [10067972-000LF](#) [10067972-050LF](#) [10122302-20110LF](#) [G85D1162022HHR](#) [TF-05A](#) [M6014-12](#) [XKNANO-1412](#) [SMN-304-ARP6](#) [MIS11-S1F1-2000-A](#) [SMN-308-ARSP7](#) [MCS-302S-KT1B](#) [SMN-308-ACSP7](#) [K-DYX-008](#) [K-DYX-004](#) [HYCW126-TF18-150B](#) [C7024-03](#) [SMO-1030](#) [MCS-110-KT](#) [SIM-217](#) [SNO-1355-KT](#) [SMO-1025-P10](#) [SIM-211S-P6](#)