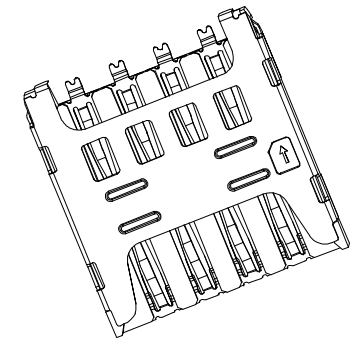
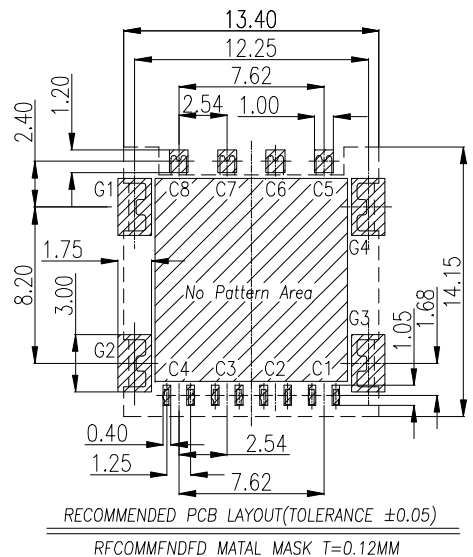
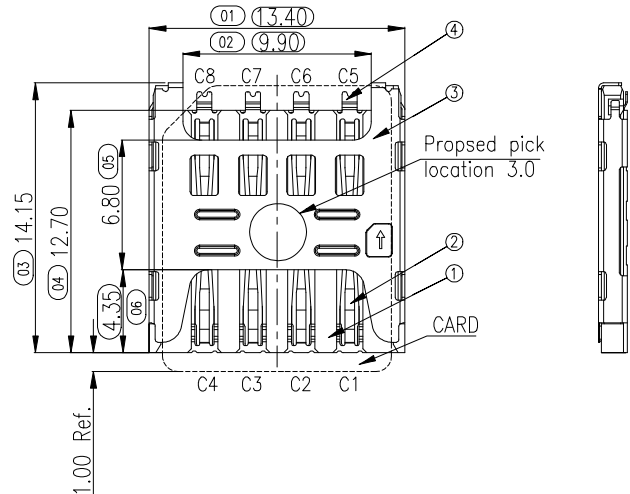




REV.	ECN NO OR DESCRIPTION	REVISED	DATE

A

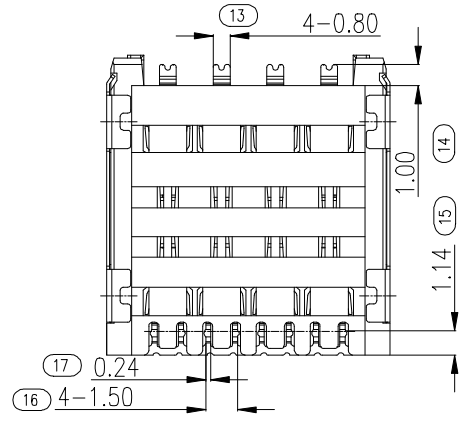
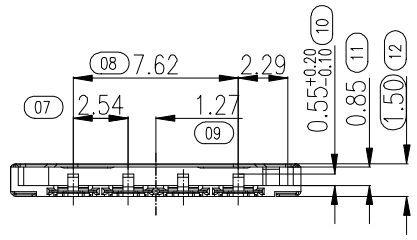
A



- NOTES:
- MATERIAL:SEE TABLE
 - SPECIALITY:
 - Rated current:1.0A
 - Rated voltage:30V
 - Contact Resistance:50mΩ MAX
 - Insulation Resistance:1000MΩ MIN 500V DC
 - Dielectric withstanding voltage: 500V DC.
 - Solder ability:250±5℃ 10±0.5s.
 - Durability:3000 Cycles Min.Contact Resistance50mΩMax
 - Mating and Unmating force
Insertion Force 10N Max
Withdrawal Fore 10N Max
 - Operating condition:Temperature-40℃~+85℃;
Humidity 80% R.H MAX

B

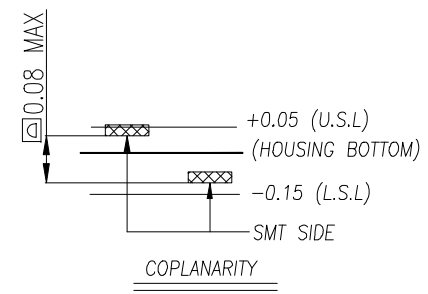
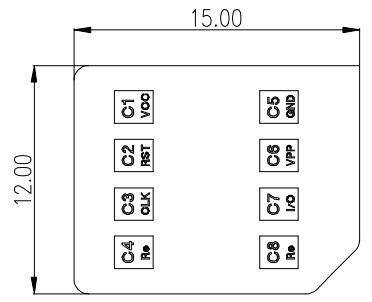
B



PIN No.	DESCRIPTION
C1	VCC (SUPPLY VOLTAGE)
C2	RST (RESET SIGNAL)
C3	CLK (CLOCK SIGNAL)
C4	RESERVED
C5	GND
C6	VPP (VARIABLE SUPPLY VLOTAGE)
C7	I/O (DATA INPUT/OUTPUT)
C8	RESERVED
G1~G4	GND

C

C



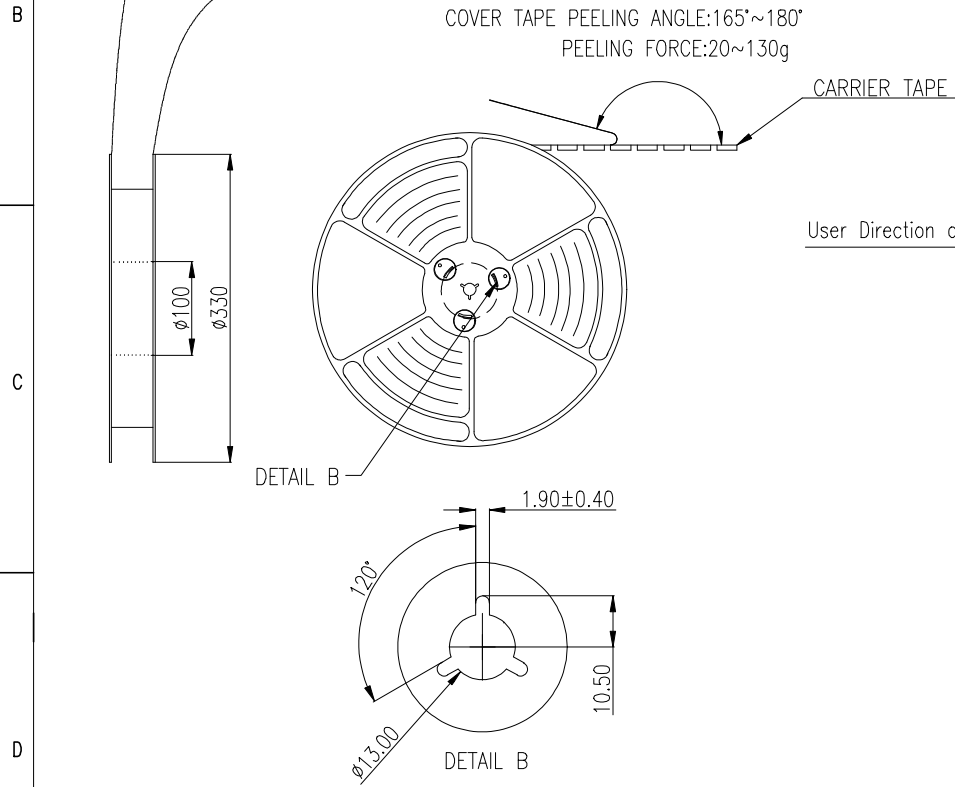
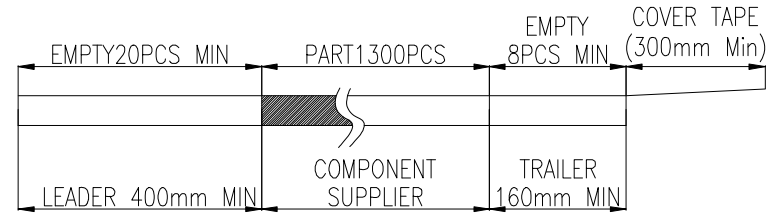
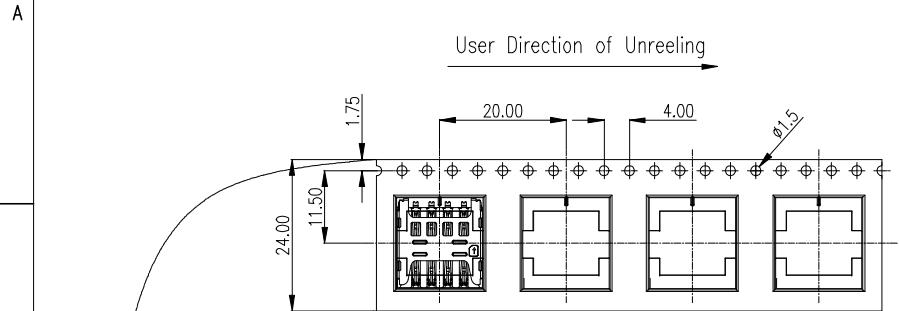
D

D

UNLESS OTHERWISE SPECIFIED TOLERANCES		东莞市汉博电子科技有限公司 DONGGUAN HANBO TECHNOLOGY CO., LTD			
DECIMALS:	ANGLES:	TITLE MICRO SIM CONNECTOR 1.5H			
X ±0.38	X ±2°	DWN	xiong	PART NO. SMO-1535	
X.X ±0.25	X.X ±1°	CHKD	lee	SCALE:1:1	UNIT: mm
X.XX ±0.10		APVD	wang	SIZE: A4	SHEET:10F 1
CUSTOMER COPY					
		REV: A4			



REV.	ECN NO OR DESCRIPTION	REVISED	DATE

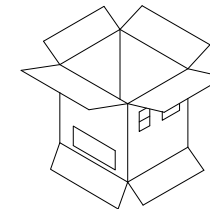
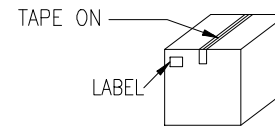
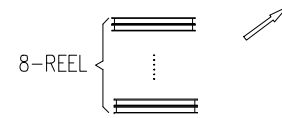


NOTES

1. NUMBER OF CONNECTORS: 1300PCS/REEL
2. LEAD TAPE LENGTH
3. QUANTITY: 10400PCS/CARTON
4. WEIGHT :
 - 3.1 NET WEIGHT : 3.33Kg
 - 3.2 GROSS WEIGHT : 6.55Kg

CARTON
335*335*255 K=K

4-TRIANGLE PARTITION
380*235*5 K3K



UNLESS OTHERWISE SPECIFIED TOLERANCES



东莞市汉博电子科技有限公司
DONGGUAN HANBO TECHNOLOGY CO., LTD

DECIMALS: ANGLES:

TITLE	MICRO SIM CONNECTOR 1.5H			
DWN	xiong	PART NO. SMO-1535		
CHKD	lee	SCALE: 1:1	UNIT: mm	
APVD	wang	SIZE: A4	SHEET: 1 OF 1	REV: A4

CUSTOMER COPY

X-ON Electronics

Largest Supplier of Electrical and Electronic Components

Click to view similar products for [Memory Card Connectors](#) category:

Click to view products by [Hanbo Electronic](#) manufacturer:

Other Similar products are found below :

[M21-033321-005](#) [6407-249V-25273P](#) [6407-249V-25343P](#) [69.920.0553.0](#) [809180410000000](#) [DM3AT-SF-PEJM5\(41\)](#) [HMCAP001](#) [252-0144-000](#) [2041353-2](#) [308-DS1P0811-192](#) [33CFAE-DN](#) [HM2P09PDR360N9LF](#) [502431-1011](#) [10-629549-258N](#) [11327-001](#) [11327-002](#) [617230001](#) [95622-003LF](#) [N7E50-U516RB-50-SIN0005](#) [95079-00CALF](#) [84648-056HLF](#) [93-570123-08P](#) [125A-78C00](#) [MI20A-50PD-SF-EJL\(71\)](#) [KP10S-SF-PEJ\(812\)](#) [504536-0691](#) [CCM03-3109 B LFT](#) [MI21-50PD-SF\(91\)](#) [2309923-1](#) [61126-050CAHLF](#) [IC1GA-68PD-1.27DS-EJ\(72\)](#) [GTFFP08432B1HR](#) [G85DT17001P1EU](#) [G85C11101152HHR](#) [G85D1160022HHR](#) [KP15TL-SF\(800\)](#) [KP10BH-8S-SF\(800\)](#) [SCE2MSDB76A121SN](#) [SCE2MSDZN76A121SN](#) [C00710B0250001](#) [CCM01-2664 LFT T25](#) [47309-2651](#) [47481-0001](#) [055036006202862+](#) [67799-0004](#) [91228-3006](#) [104168-1616](#) [104C-TAA1](#) [112I-TA01](#) [112K-TAA0-RA1](#)