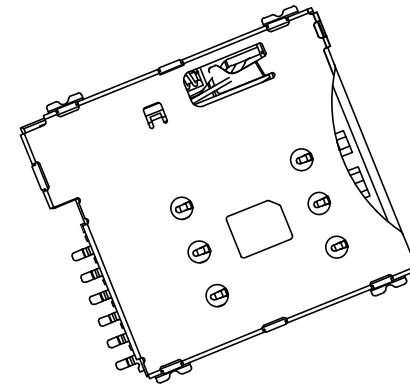
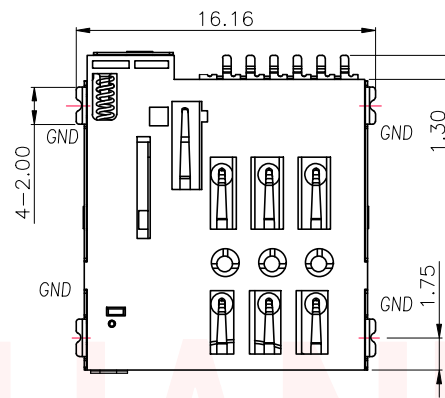
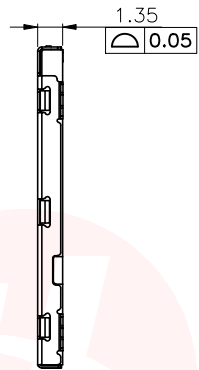
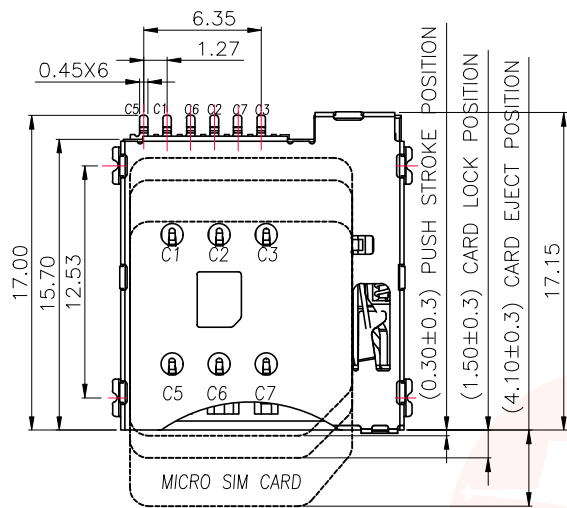




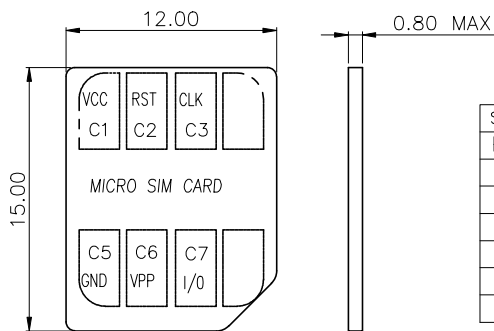
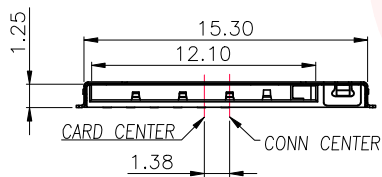
REV.	ECN NO OR DESCRIPTION	REVISED	DATE



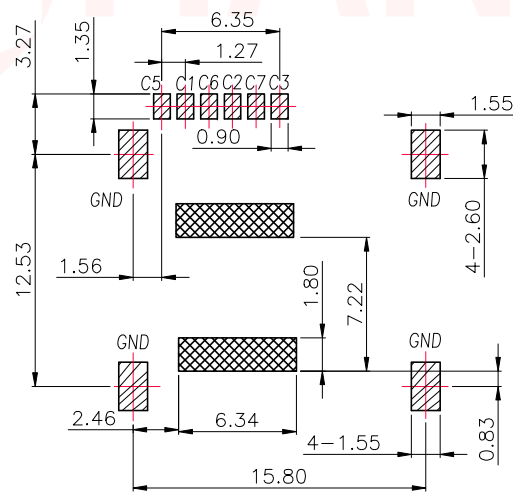
- MATERIAL:
  - HOUSING:LCP,UL94-V0,COLOR:BLACK
  - CONTACT:C5210R-H
  - SHELL:SUS304-H
- FINISH:
  - TERMINAL:30 u" Min.NICKEL PLATED OVERALL
  - CONTACT:GOLD FLASH PLATED ON CONTACT AREA; GOLD FLASH PLATED ON SOLDER TAILS;
- ELECTRICAL CHARACTERISTICS
 

RATING CURRENT : 0.5A MAX.  
 CONTACT RESISTANCE :50 mΩ MAX  
 DIELECTRIC WITHSTANDING : 500V AC MIN.  
 INSULATION RESISTANCE: 1000 MΩ MIN.
- MECHANICAL CHARACTERISTICS
 

MATING CYCLE :3000 CYCLES  
 Contact retention force: 50gf/pin Min.



SIM pin Assignment	
PIN#	Name
C1	VCC
C2	RST
C3	CLK
C5	GND
C6	VPP
C7	I/O



**FORBIDDEN AREA**  
 SMT SOLDER AREA  
 THERE SHOULD NOT BE ANY CIRCUITRIES IN THE LAYOUT SPACE OF THE PRODUCTS.  
**RECOMMENDED PCB LAYOUT**  
 GENERAL TOLERANCE ±0.05

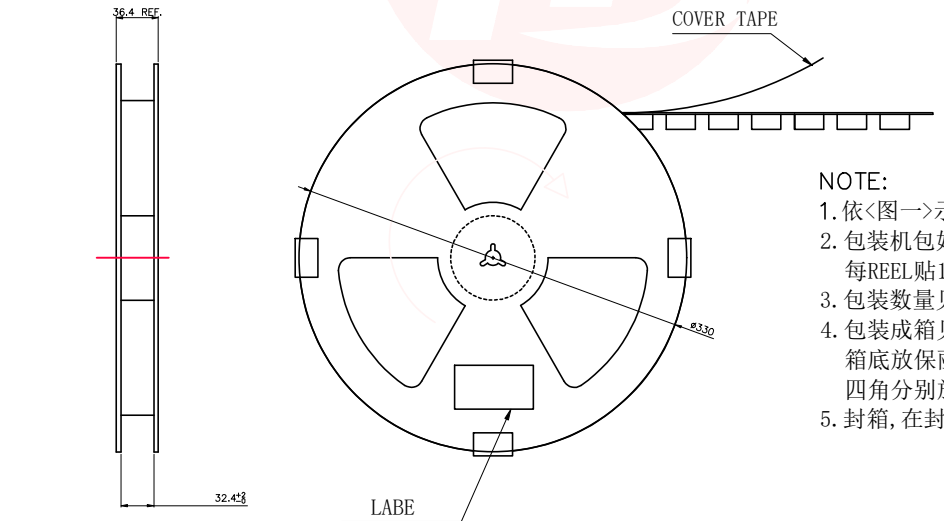
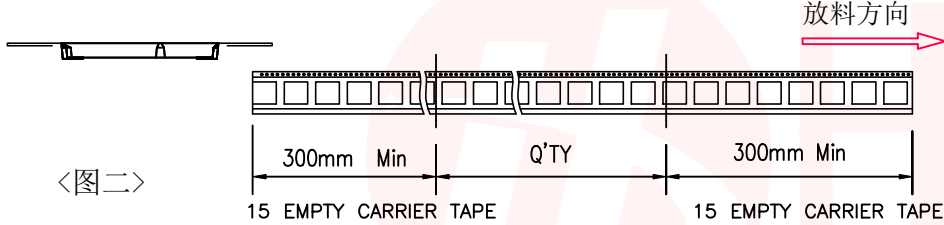
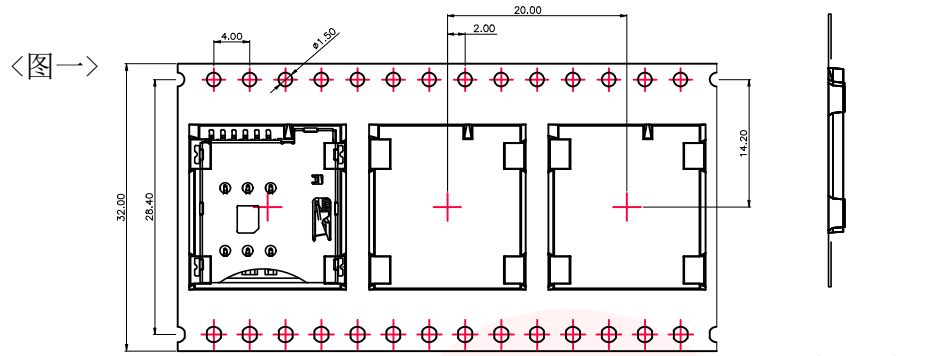
UNLESS OTHERWISE SPECIFIED TOLERANCES		东莞市汉博电子科技有限公司 DONGGUAN HANBO TECHNOLOGY CO., LTD		
DECIMALS:	ANGLES:	TITLE	MICRO SIM CARD PUSH PUSH 6PIN 1.35H	
X :±0.45	X :±2°	DWN	xiong	PART NO. SMO-200S-P6
X.X :±0.35	X.X :±1°	CHKD	lee	SCALE:1:1 UNIT: mm
X.XX :±0.25		APVD	wang	SIZE: A4 SHEET:10F 1 REV: A4
CUSTOMER COPY				



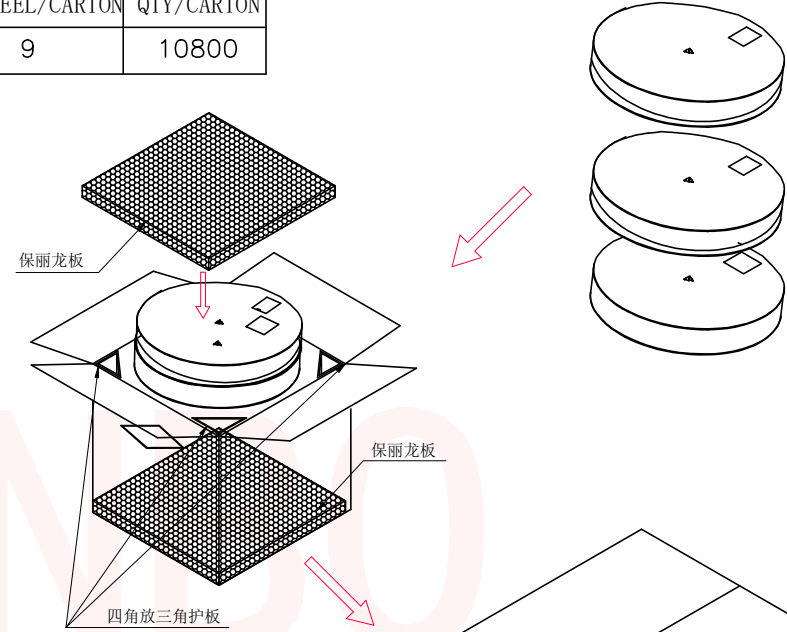
<TABLE 1> PACKAGING QUANTITY

QTY/REEL	REEL/CARTON	QTY/CARTON
1200	9	10800

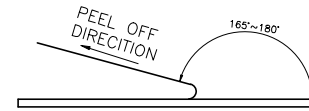
REV.	ECN NO OR DESCRIPTION	REVISED	DATE



<图三>

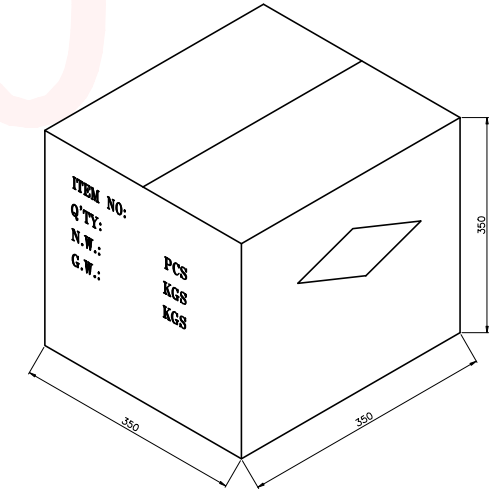


COVER TAPE PEELING FORCE: 50gf~150gf



NOTE:

1. 依<图一>示放置产品于下载中, 每穴放置1PCS产品.
2. 包装机包好后, 在REEL的个等分点贴上胶带, 以防止REEL张开, 每REEL贴1PCS标签, 如<图二>示
3. 包装数量见如<TABLE 1>示
4. 包装成箱见如<图三>示  
箱底放保利龙板, 再依次将指定数量的卷装产品放入箱内, 四角分别放入四个三角护板, 最上层再放上保利龙板.
5. 封箱, 在封好的纸箱上按客户要求写上料号, 数量等



UNLESS OTHERWISE SPECIFIED TOLERANCES

DECIMALS:	ANGLES:
X :±0.45	X :±2°
X.X :±0.35	X.X :±1°
X.XX :±0.25	



东莞市汉博电子科技有限公司  
DONGGUAN HANBO TECHNOLOGY CO., LTD

TITLE	MICRO SIM CARD PUSH PUSH 6PIN 1.35H			
DWN	xiong	PART NO. SMO-200S-P6		
CHKD	lee	SCALE: 1:1	UNIT: mm	
APVD	wang	SIZE: A4	SHEET: 10F 1	REV: A4

CUSTOMER COPY

## X-ON Electronics

Largest Supplier of Electrical and Electronic Components

*Click to view similar products for [Memory Card Connectors](#) category:*

*Click to view products by [Hanbo Electronic](#) manufacturer:*

Other Similar products are found below :

[M21-033321-005](#) [6407-249V-25273P](#) [6407-249V-25343P](#) [6426-201-21343](#) [69.920.0553.0](#) [MCR60A-98D-2.54DSA\(70\)](#) [809180410000000](#)  
[DM3AT-SF-PEJM5\(41\)](#) [IC11S-BUR-PNEJL\(71\)](#) [252-0144-000](#) [2041353-2](#) [308-DS1P0811-192](#) [HM2P09PDR360N9LF](#) [10014744-011TLF](#)  
[11327-001](#) [11327-002](#) [617230001](#) [NX1-32T-KT3K\(05\)](#) [N7E50-U516RB-50-SIN0005](#) [68-580163-21S](#) [125A-78C00](#) [CCM03-3109 B LFT](#)  
[2309923-1](#) [61126-050CAHLF](#) [IC1GA-68PD-1.27DS-EJ\(72\)](#) [GTFP08432B1HR](#) [SCE2MSDZN76A121SN](#) [10014744-011ALF](#) [10014744-](#)  
[011LF](#) [10057542-1211FLF](#) [10067972-000LF](#) [10067972-050LF](#) [10122302-20110LF](#) [G85D1162022HHR](#) [MUP-C7809-1](#) [NANO SIM 7P](#)  
[H1.37](#) [MICRO SIM 7P H1.35](#) [TF-CARD H1.8 SY](#) [MICRO SIM 6P H1.35](#) [TF-CARD H1.8](#) [TF-115Y-BCP9](#) [TF-115YY-ACP9](#) [SMN-309-](#)  
[ARP6](#) [TF-115Y-ACP9](#) [TF-108-ARP10](#) [SMN-303S-ACP7](#) [SNO-14100](#) [SD-112S](#) [MUP-C7804-1](#) [KH-TF-07DT](#)