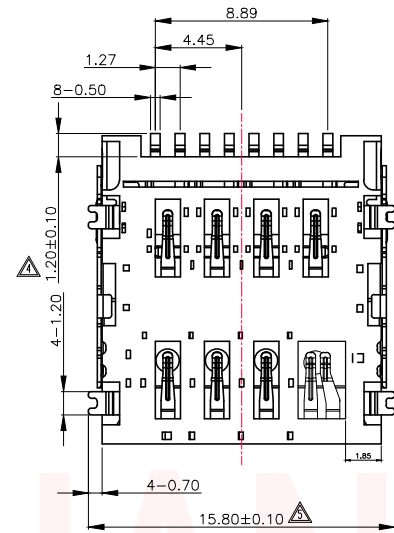
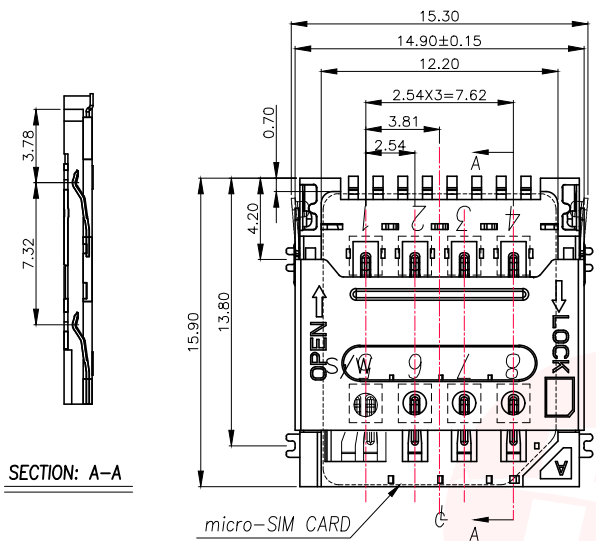


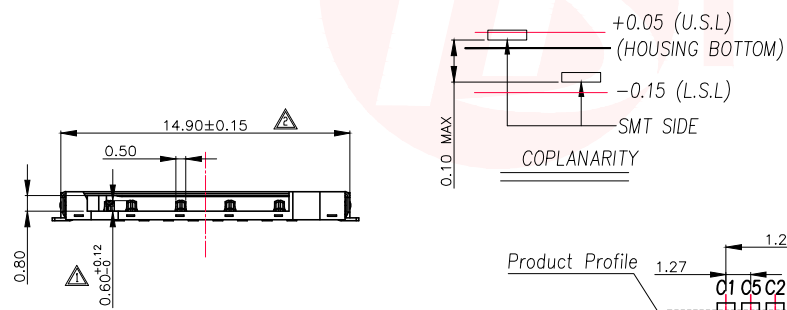


REV.	ECN NO OR DESCRIPTION	REVISED	DATE

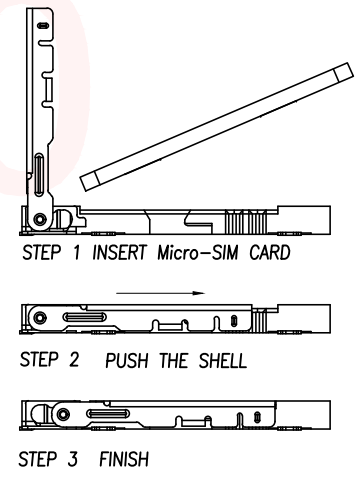


- NOTES:
- ELECTRICAL CHARACTERISTICS
    - CONTACT RESISTANCE: 60 Milliohms Max
    - INSULATION RESISTANCE: 1,000 Megohms Min.
    - DIELECTRIC WITHSTANDING VOLTAGE: 500V AC FOR 1 MINUTE.
  - MECHANICAL CHARACTERISTICS
    - OPERATION TEMPERATURE RANGE: -25°C~+70°C
    - DURABILITY: 5000 CYCLES
  - MATERIAL:
    - HOUSING: THERMOPLASTIC, UL 94-V0
    - TERMINAL: PHOSPHOR BRONZE, T=0.15
    - SHELL: STAINLESS STEEL, T=0.15
  - FINISHED:
    - TERMINAL: Ni PLATED UNDER, Au PLATED ON CONTACT AREA, G/F PLATED ON SOLDER TAIL

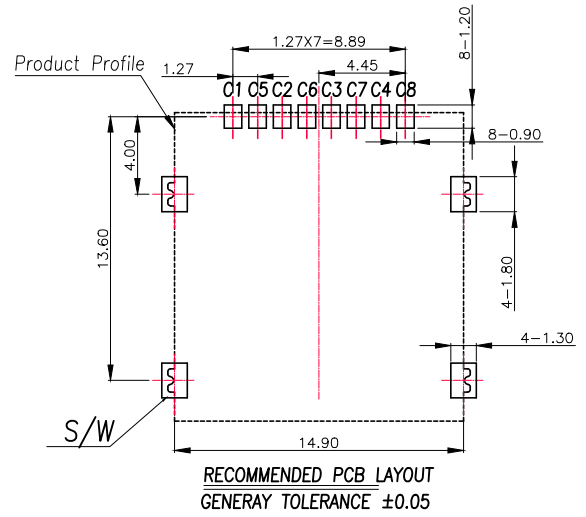
SECTION: A-A



WITHDRAWAL CARD		INSERT CARD	
GROUND PIN (C5)	Switch Pin (S/W)	GROUND PIN (C5)	Switch Pin (S/W)



SIM CARD	
Pin No.	NAME
C1	VCC
C2	RST
C3	CLK
C4	RESERVED
C5	GND
C6	VPP
C7	I/O
C8	RESERVED
S/W	Switch Pin



UNLESS OTHERWISE SPECIFIED TOLERANCES

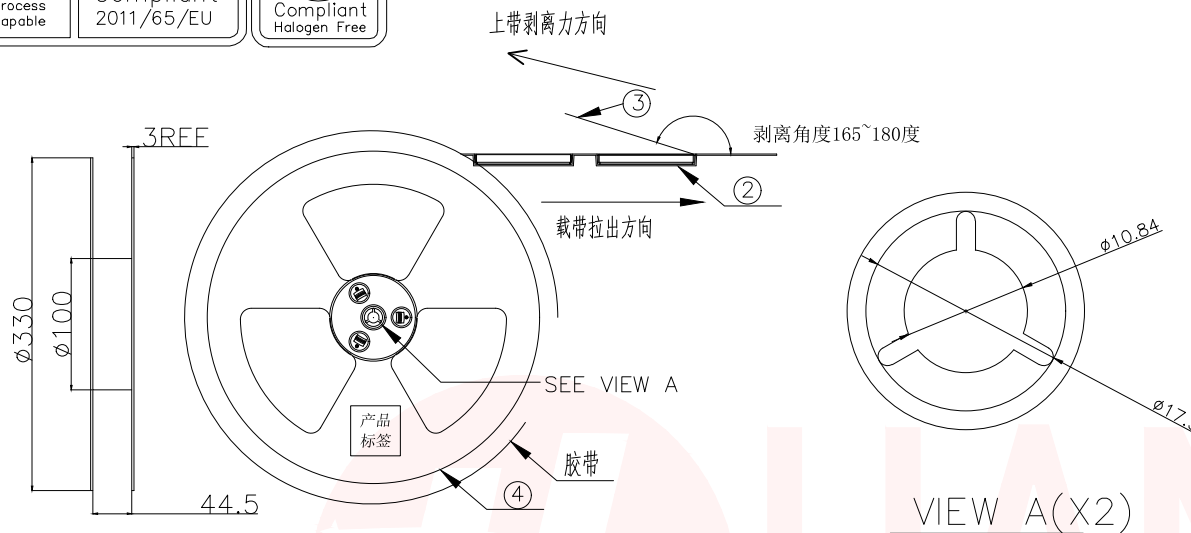
DECIMALS: X :±0.50 X.X :±0.25 X.XX :±0.12

ANGLES: X :±2° X.X :±1°

东莞市汉博电子科技有限公司 DONGGUAN HANBO TECHNOLOGY CO., LTD	
TITLE	MICRO SIM 掀盖式 1.5H带侦测
DWN	xiong PART NO. SNO-1340-P9
CHKD	lee SCALE:1:1 UNIT: mm
APVD	wang SIZE: A4 SHEET:10F 1 REV: A4
CUSTOMER COPY	

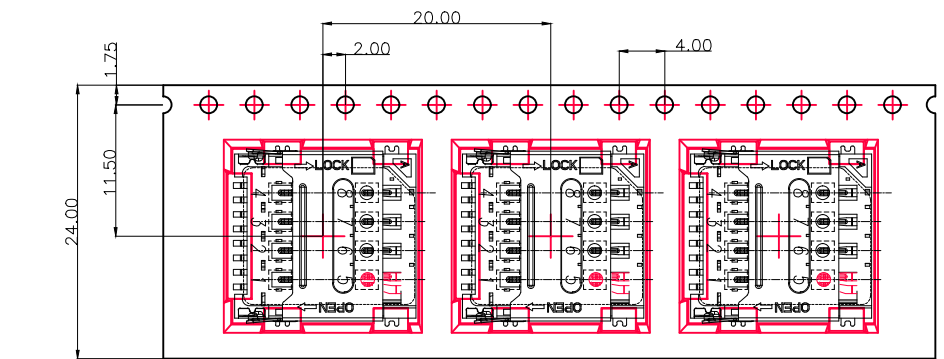
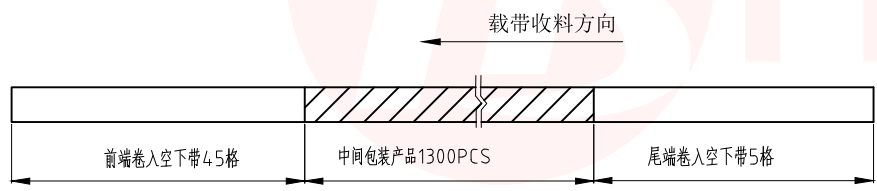


REV.	ECN NO OR DESCRIPTION	REVISED	DATE



PACKING NOTES:

1. PRIMARY PACKING: 1300PCS/REEL;
2. SECONDARY PACKING: 10 REELS/CARTON (13KPCS/CARTON)
3. PEELING RESISTANCE: 30gf~100gf
4. PEELING ANGLE: 165°~180°
5. PEELING SPEED: 300mm/minutes.



PULL OUT DIRECTION 拉出方向

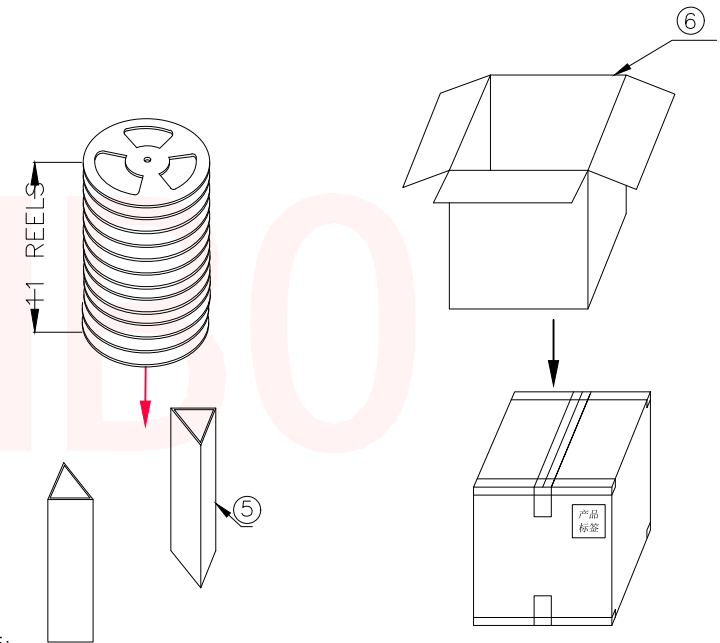


TABLE:

NO.	NAME	SPEC.	REMARK
①	成品	掀盖 MICRO SIM CARD 1.5H	1300PCS/R
②	下带(载带)	PET料 透明色, W=24mm, P=20mm, T=0.3mm,	26.6M/1300PCS
③	上带(盖带)	W=21.5mm, T=0.06mm, 自粘式透明状	26.8M/1300PCS
④	REEL(蓝色卷盘)	外直径330mm, 内直径100mm, 内宽44.5mm	1PCS/1300PCS
⑤	折叠板	296*464*6mm	4PCS/14300PCS
⑥	CARTON (外箱)	350*350*350mm	1PCS/14300PCS

UNLESS OTHERWISE SPECIFIED TOLERANCES

DECIMALS: X :±0.50 X.X :±0.25 X.XX :±0.12

ANGLES: X :±2° X.X :±1°

TITLE: MICRO SIM 掀盖式 1.5H带侦测

DWN: xiong PART NO. SNO-1340-P9

CHKD: lee SCALE: 1:1 UNIT: mm

APVD: wang SIZE: A4 SHEET: 10F 1 REV: A4

CUSTOMER COPY

东莞市汉博电子科技有限公司  
DONGGUAN HANBO TECHNOLOGY CO., LTD

A  
B  
C  
D

A  
B  
C  
D

## X-ON Electronics

Largest Supplier of Electrical and Electronic Components

*Click to view similar products for [Memory Card Connectors](#) category:*

*Click to view products by [Hanbo Electronic](#) manufacturer:*

Other Similar products are found below :

[M21-033321-005](#) [6407-249V-25273P](#) [6407-249V-25343P](#) [6426-201-21343](#) [69.920.0553.0](#) [MCR60A-98D-2.54DSA\(70\)](#) [809180410000000](#)  
[DM3AT-SF-PEJM5\(41\)](#) [IC11S-BUR-PNEJL\(71\)](#) [252-0144-000](#) [2041353-2](#) [308-DS1P0811-192](#) [HM2P09PDR360N9LF](#) [10014744-011TLF](#)  
[11327-001](#) [11327-002](#) [617230001](#) [NX1-32T-KT3K\(05\)](#) [N7E50-U516RB-50-SIN0005](#) [68-580163-21S](#) [125A-78C00](#) [CCM03-3109 B LFT](#)  
[2309923-1](#) [61126-050CAHLF](#) [IC1GA-68PD-1.27DS-EJ\(72\)](#) [GTFP08432B1HR](#) [SCE2MSDZN76A121SN](#) [10014744-011ALF](#) [10014744-](#)  
[011LF](#) [10057542-1211FLF](#) [10067972-000LF](#) [10067972-050LF](#) [10122302-20110LF](#) [G85D1162022HHR](#) [MUP-C7809-1](#) [NANO SIM 7P](#)  
[H1.37](#) [MICRO SIM 7P H1.35](#) [TF-CARD H1.8 SY](#) [MICRO SIM 6P H1.35](#) [TF-CARD H1.8](#) [TF-115Y-BCP9](#) [TF-115YY-ACP9](#) [SMN-309-](#)  
[ARP6](#) [TF-115Y-ACP9](#) [TF-108-ARP10](#) [SMN-303S-ACP7](#) [SNO-14100](#) [SD-112S](#) [MUP-C7804-1](#) [KH-TF-07DT](#)