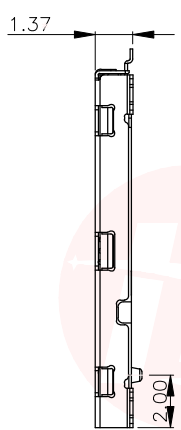
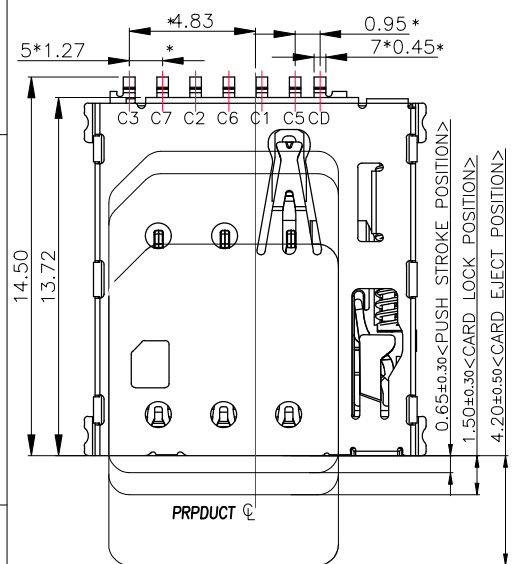
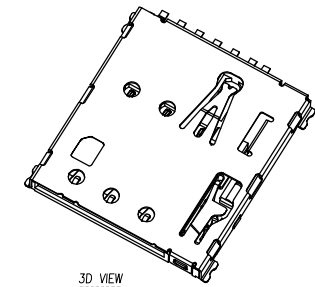




REV.	ECN NO OR DESCRIPTION	REVISED	DATE

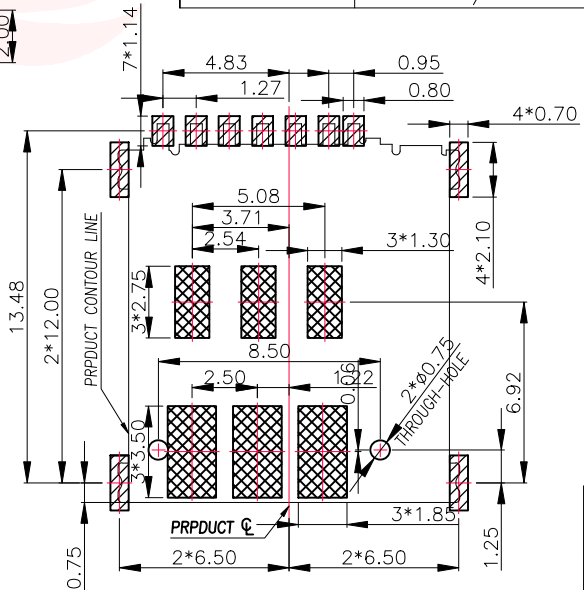
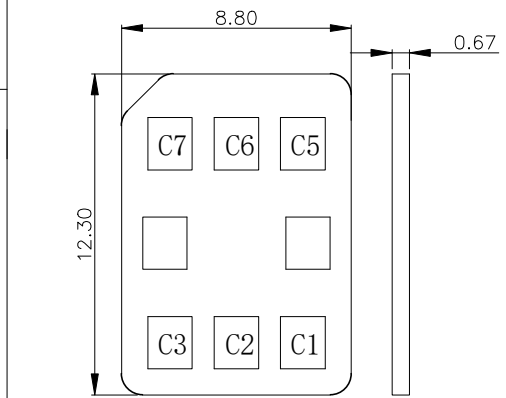
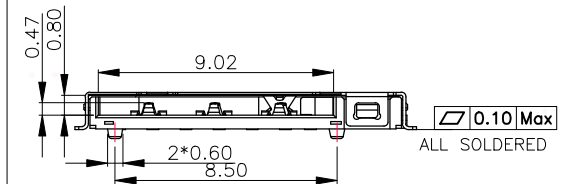


PIIN/NO	ASSIGNMENT
C1	VCC
C2	RST
C3	CLK
CD	Detect Switch
C5	GND
C6	VPP
C7	I/O



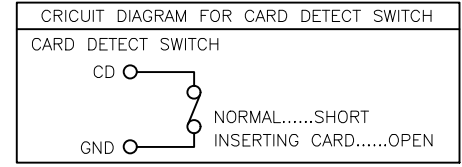
NOTES:

- MATERIAL:
HOUSING: High Temperature Thermoplastic
Terminal: Copper Alloy
Shell: Stainless Steel
- PLATING:
Terminal: 50u" Ni UNDERPLATED OVERALL
G/F PLATED ON CONTACT AREA AND SOLDER AREA
Shell: 30u" Ni UNDERPLATED OVERALL
G/F PLATED ON CONTACT AREA AND SOLDER AREA
- TECHNICAL SPECIALITY:
RATED VOLTAGE: 30V AC MAX.
CURRENT RATING: 0.5A MAX.
INSULATION RESISTANCE: 1000MΩ MIN
CONTACT RESISTANCE: 50mΩ MAX
WITHSTANDING VOLTAGE: 500V AC FOR 1 MINUTES
OPERATING TEMPERATURE:
-25°C~+85°C Humidity 80% R.H MAX
- DIMENSIONS WITH MARK * MUST BE MEASURE BY QC AND IPQC



RECOMMENDED PCB LAYOUT TOP VIEW (TOLERANCE:±0.05)
RECOMMENDED METAL MASK T=0.12mm

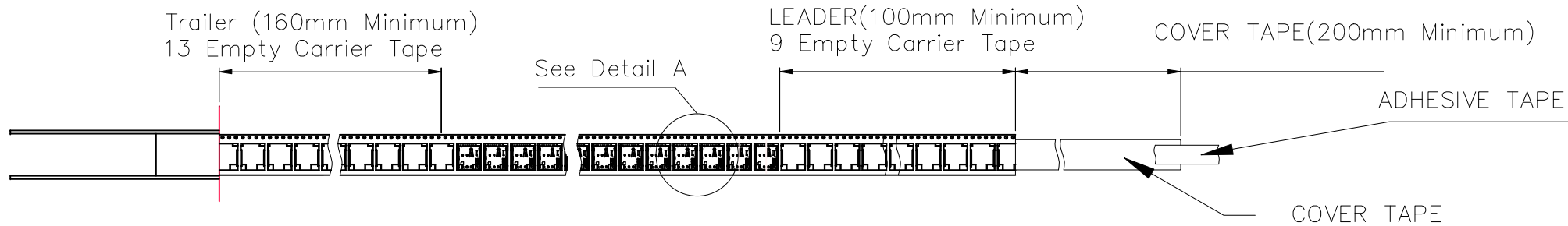
- SMT SOLDER AREA
- NO PATTERN AND VIA HOLE IN HTIS AREA



UNLESS OTHERWISE SPECIFIED TOLERANCES		东莞市汉博电子科技有限公司 DONGGUAN HANBO TECHNOLOGY CO., LTD			
DECIMALS:	ANGLES:	TITLE	1.37H NANO SIM CARD CONNECTOR		
X :±0.35	X° :±5°	DWN	xiong	PART NO. SNO-1351A	
X.X :±0.25	.X° :±3°	CHKD	lee	SCALE:1:1	UNIT: mm
X.XX :±0.15	X.X :±1°	APVD	wang	SIZE: A4	SHEET:10F 1
		REV: A4			
CUSTOMER COPY					

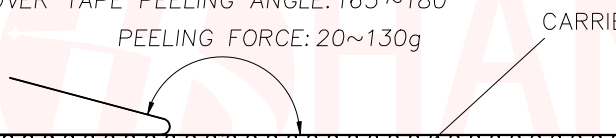
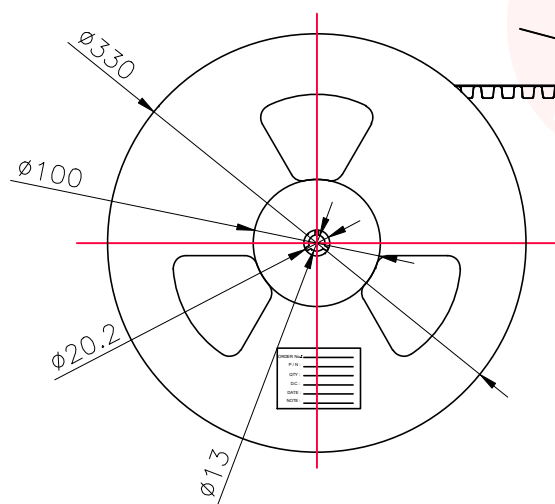


REV.	ECN NO OR DESCRIPTION	REVISED	DATE



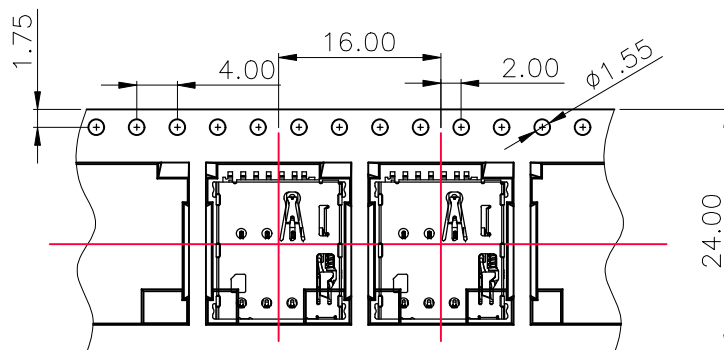
← PACKAGING DIRECTION USER DIRECTION OF UNREELING →

COVER TAPE PEELING ANGLE: 165°~180°
PEELING FORCE: 20~130g



← PACKAGING DIRECTION

→ USER DIRECTION OF UNREELING



DETAIL A

2	SNO-1351A	1500	10	15000	350X350X340
---	-----------	------	----	-------	-------------

UNLESS OTHERWISE SPECIFIED TOLERANCES

DECIMALS:	ANGLES:
X : ±0.35	X.° : ±5°
X.X : ±0.25	.X : ±3°
X.XX : ±0.15	X.X : ±1°



东莞市汉博电子科技有限公司
DONGGUAN HANBO TECHNOLOGY CO., LTD

TITLE	1.37H NANO SIM CARD CONNECTOR		
DWN	xiong	PART NO. SNO-1351A	
CHKD	lee	SCALE:1:1	UNIT: mm
APVD	wang	SIZE: A4	SHEET:1OF 1
REV: A4			
CUSTOMER COPY			

X-ON Electronics

Largest Supplier of Electrical and Electronic Components

Click to view similar products for [Memory Card Connectors](#) category:

Click to view products by [Hanbo Electronic](#) manufacturer:

Other Similar products are found below :

[M21-033321-005](#) [6407-249V-25273P](#) [6407-249V-25343P](#) [6426-201-21343](#) [69.920.0553.0](#) [MCR60A-98D-2.54DSA\(70\)](#) [809180410000000](#)
[DM3AT-SF-PEJM5\(41\)](#) [IC11S-BUR-PNEJL\(71\)](#) [252-0144-000](#) [2041353-2](#) [308-DS1P0811-192](#) [HM2P09PDR360N9LF](#) [10014744-011TLF](#)
[11327-001](#) [11327-002](#) [617230001](#) [NX1-32T-KT3K\(05\)](#) [N7E50-U516RB-50-SIN0005](#) [68-580163-21S](#) [125A-78C00](#) [CCM03-3109 B LFT](#)
[2309923-1](#) [61126-050CAHLF](#) [IC1GA-68PD-1.27DS-EJ\(72\)](#) [GTFP08432B1HR](#) [SCE2MSDZN76A121SN](#) [10014744-011ALF](#) [10014744-](#)
[011LF](#) [10057542-1211FLF](#) [10067972-000LF](#) [10067972-050LF](#) [10122302-20110LF](#) [G85D1162022HHR](#) [MUP-C7809-1](#) [NANO SIM 7P](#)
[H1.37](#) [MICRO SIM 7P H1.35](#) [TF-CARD H1.8 SY](#) [MICRO SIM 6P H1.35](#) [TF-CARD H1.8](#) [TF-115Y-BCP9](#) [TF-115YY-ACP9](#) [SMN-309-](#)
[ARP6](#) [TF-115Y-ACP9](#) [TF-108-ARP10](#) [SMN-303S-ACP7](#) [SNO-14100](#) [SD-112S](#) [MUP-C7804-1](#) [KH-TF-07DT](#)