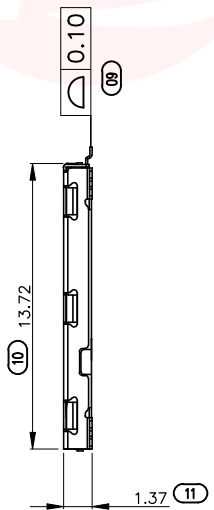
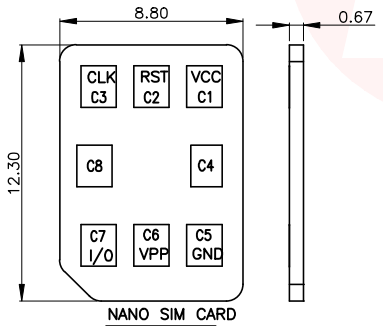
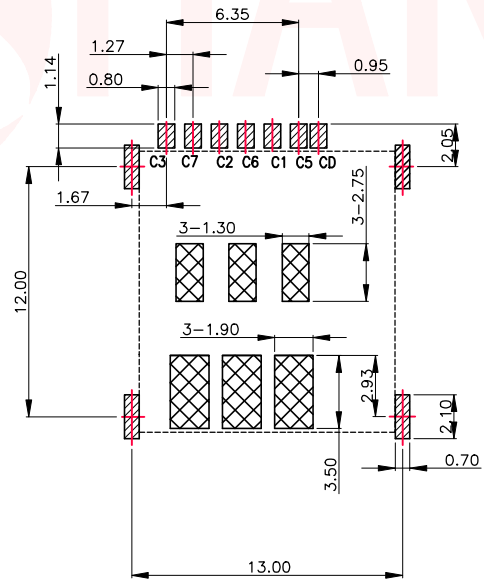
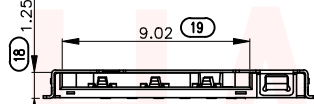
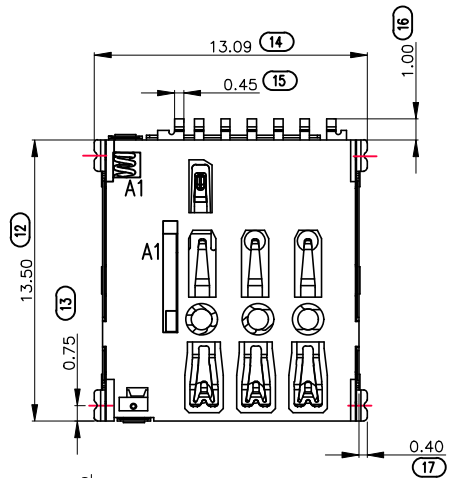
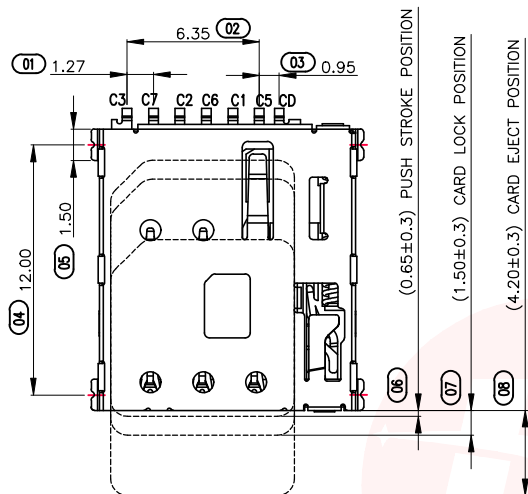


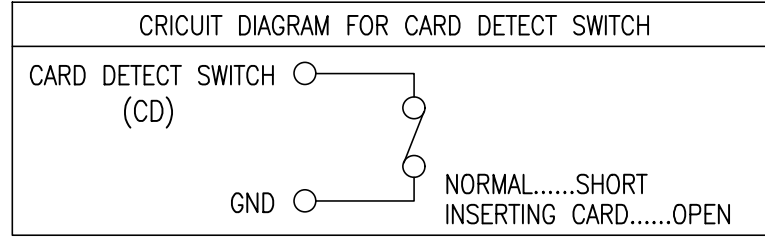


REV.	ECN NO OR DESCRIPTION	REVISED	DATE



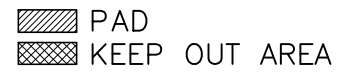
NOTES:

- 1) MATERIAL:
  - HOUSING: HI-TEMP. PLASIC UL 94V-0
  - CONTACT: COPPER ALLOY
  - SHELL: STAINLESS STEEL
- 2) PLATING :
  - TERMINAL:
    - CONTACT AREA: Au GOLD FLASH.
    - SOLDER AREA: AU GOLD FLASH.
    - UNDER PLATE: NICKEL.
  - SHELL: NICKEL PLATED OVER ALL.
  - SOLDER AREA: GOLD FLASH.
3. SPECIALITY:
  - 3.1 Rated current: 1.0A
  - 3.2 Rated voltage: 30V
  - 3.3 Contact Resistance: 50mΩ MAX
  - 3.4 Insulation Resistance: 1000MΩ MIN 500V DC
  - 3.5 Dielectric withstanding voltage: 500V AC.
  - 3.6 Solder ability: 260±0/-5°C, 30±10s.
  - 3.7 Durability: 5000 Cycles Min.
  - 3.8 Operating condition: Temperature -40°C ~ +85°C; Humidity 80% R.H MAX



SIM pin Assignment	
PIN#	Name
C1	VCC
C2	RST
C3	CLK
C5	GND
C6	VPP
C7	I/O

RECOMMENDED PCB LAYOUT  
GENERAL TOLERANCE ±0.05



UNLESS OTHERWISE SPECIFIED TOLERANCES		东莞市汉博电子科技有限公司 DONGGUAN HANBO TECHNOLOGY CO., LTD	
DECIMALS:	ANGLES:	TITLE 6+1PIN 1.37H 无桩 PUSH PUSH Nano SIM CARD CONN.	
X ±0.30	X ±2°	DWN	xiong PART NO. SNO-1351SW-P7
X.X ±0.20	X.X ±1°	CHKD	lee SCALE:1:1 UNIT: mm
X.XX ±0.10		APVD	wang SIZE: A4 SHEET:10F 1 REV: A4
CUSTOMER COPY			

## X-ON Electronics

Largest Supplier of Electrical and Electronic Components

*Click to view similar products for [Memory Card Connectors](#) category:*

*Click to view products by [Hanbo Electronic](#) manufacturer:*

Other Similar products are found below :

[M21-033321-005](#) [6407-249V-25273P](#) [6407-249V-25343P](#) [6426-201-21343](#) [69.920.0553.0](#) [MCR60A-98D-2.54DSA\(70\)](#) [809180410000000](#)  
[DM3AT-SF-PEJM5\(41\)](#) [IC11S-BUR-PNEJL\(71\)](#) [252-0144-000](#) [2041353-2](#) [308-DS1P0811-192](#) [HM2P09PDR360N9LF](#) [10014744-011TLF](#)  
[11327-001](#) [11327-002](#) [617230001](#) [NX1-32T-KT3K\(05\)](#) [N7E50-U516RB-50-SIN0005](#) [68-580163-21S](#) [125A-78C00](#) [CCM03-3109 B LFT](#)  
[2309923-1](#) [61126-050CAHLF](#) [IC1GA-68PD-1.27DS-EJ\(72\)](#) [GTFP08432B1HR](#) [SCE2MSDZN76A121SN](#) [10014744-011ALF](#) [10014744-](#)  
[011LF](#) [10057542-1211FLF](#) [10067972-000LF](#) [10067972-050LF](#) [10122302-20110LF](#) [G85D1162022HHR](#) [MUP-C7809-1](#) [NANO SIM 7P](#)  
[H1.37](#) [MICRO SIM 7P H1.35](#) [TF-CARD H1.8 SY](#) [MICRO SIM 6P H1.35](#) [TF-CARD H1.8](#) [TF-115Y-BCP9](#) [TF-115YY-ACP9](#) [SMN-309-](#)  
[ARP6](#) [TF-115Y-ACP9](#) [TF-108-ARP10](#) [SMN-303S-ACP7](#) [SNO-14100](#) [SD-112S](#) [MUP-C7804-1](#) [KH-TF-07DT](#)