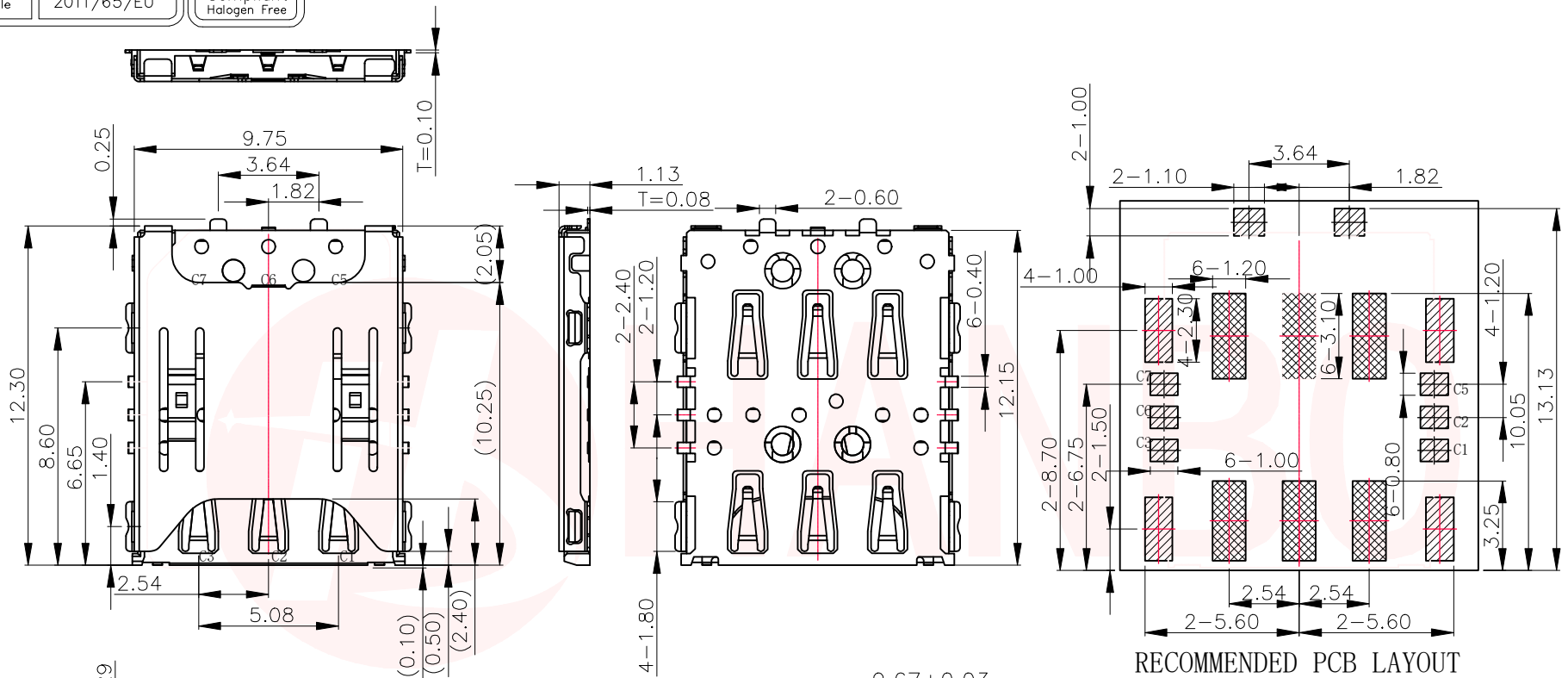




REV.	ECN NO OR DESCRIPTION	REVISED	DATE



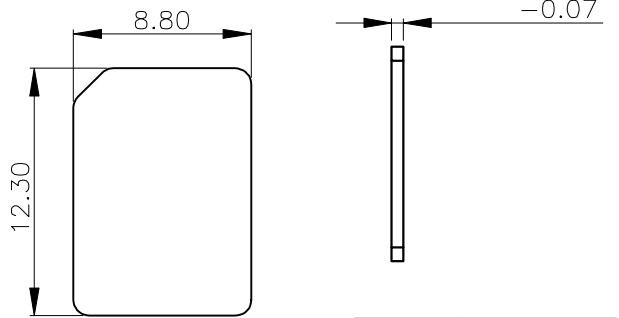
**RECOMMENDED PCB LAYOUT**

**TOLERANCE: ± 0.05**

- SMT SOLDER AREA
- COPPER RESTRICTED AREA
  1. TOUCH AREA OF CONTACT
  2. NO FIRST PCB LAYOUT CIRCUITS IN THE AREA

**NOTES:**

1. MATERIAL:  
HOUSING: High Temperature Thermoplastic  
Terminal: Copper Alloy  
Shell: Stainless Steel
2. PLATING:  
Terminal: 30u" Ni UNDERPLATED OVERALL  
G/F PLATED ON CONTACT AREA  
100u" TIN PLATED ON SOLDER AREA  
Shell: 50u" Ni UNDERPLATED OVERALL  
G/F PLATED ON CONTACT AREA AND SOLDER AREA
3. TECHNICAL SPECIALITY:  
RATED VOLTAGE: 30V AC MAX.  
CURRENT RATING: 0.5A MAX.  
INSULATION RESISTANCE: 1000MΩ MIN  
CONTACT RESISTANCE: 100mΩ MAX  
WITHSTANDING VOLTAGE: 500V AC FOR 1 MINUTES  
OPERATING TEMPERATURE: -20℃ ~ +85℃ Humidity 80% R. HMAX



PIIN/NO	ASSIGNMENT
C1	VCC
C2	RST
C3	CLK
C5	GND
C6	VPP
C7	I/O

UNLESS OTHERWISE SPECIFIED TOLERANCES

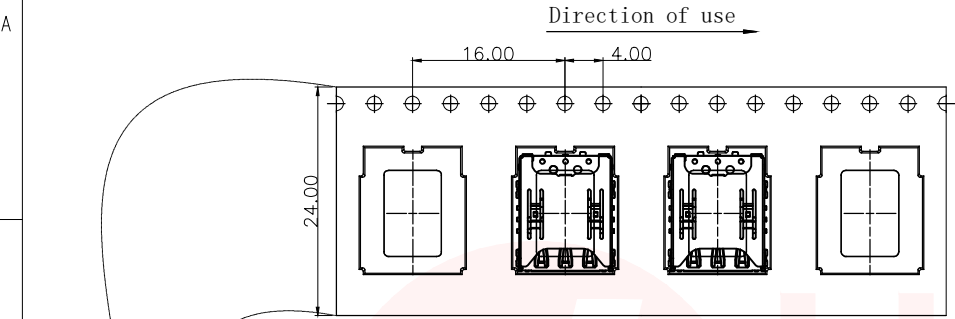
DECIMALS: X :±0.30 X.X :±0.20 X.XX :±0.10

ANGLES: X :±2° X.X :±1°

<b>东莞市汉博电子科技有限公司</b> DONGGUAN HANBO TECHNOLOGY CO., LTD		TITLE 1.13H NO-PUSH NANO SIM CARD		
		DWN	xiong	PART NO. SNO-1430
CHKD	lee	SCALE: 1:1	UNIT: mm	
APVD	wang	SIZE: A4	SHEET: 10F 1	REV: A4
CUSTOMER COPY				

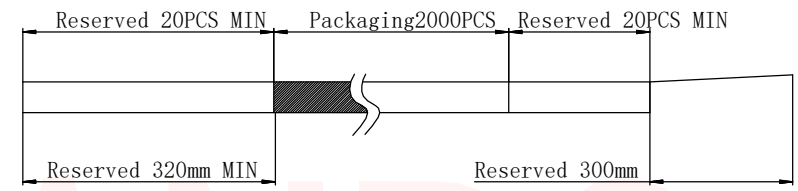


REV.	ECN NO OR DESCRIPTION	REVISED	DATE

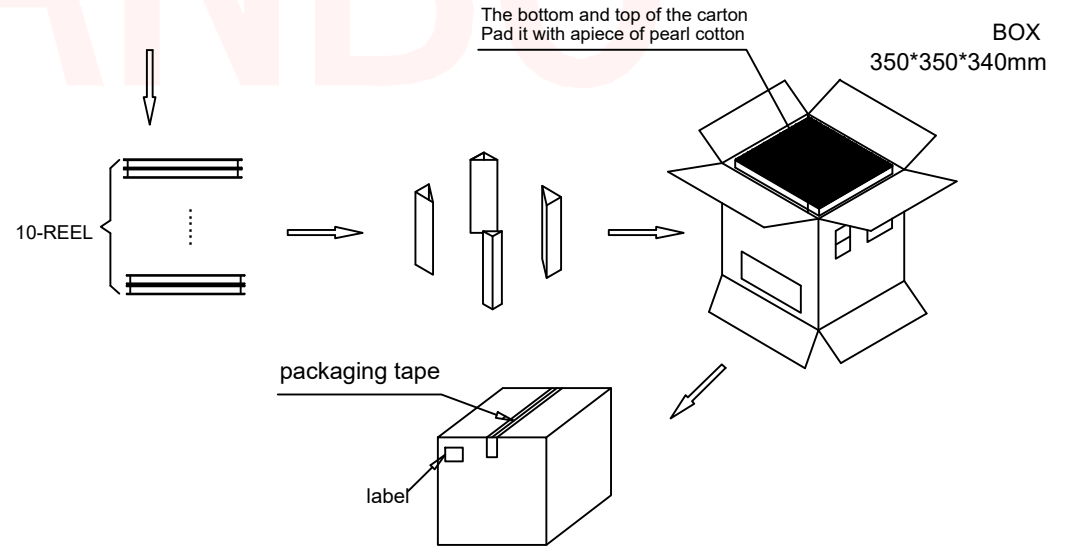
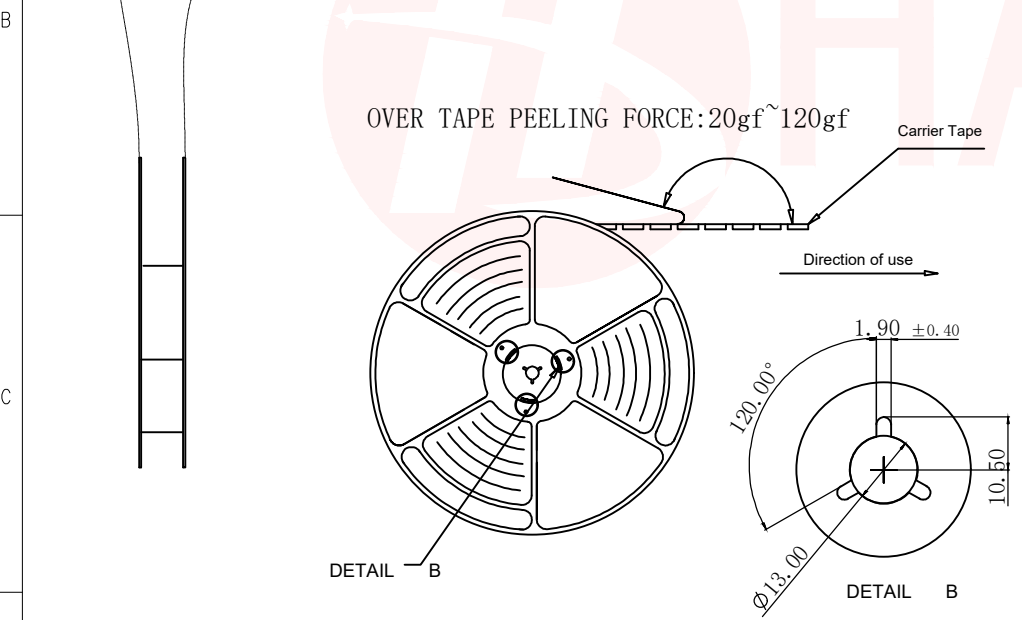


**NOTES:**

- 1、Packing quantity per plate: 2000PCS/Plate
- 2、Loading and packing method



- 3、Total packaging: 20000PCS/Box



Description	Quantity
Carrierband (Lucent, PET W=24 PH=16,T=0.3)	326.4m
Box (K=K,T=7.0,350*350*340)	1PCS
PE Bag (T=0.08mm, 730*760*730)	1PCS
Self-adhesive (W=21.30)	329.4m
Beam (K=K, T=7.0,95*95*290)	4PCS
Pearl Wool (340*340*18)	2PCS
REEL (BLUE, 13Inches*24mm, φ330)	10PCS
1.13H No-Push Nano-SIM Card	20000PCS

UNLESS OTHERWISE SPECIFIED TOLERANCES		东莞市汉博电子科技有限公司 DONGGUAN HANBO TECHNOLOGY CO., LTD			
DECIMALS:	ANGLES:	TITLE	1.13H NO-PUSH NANO SIM CARD		
X :±0.30	X :±2°	DWN	xiong	PART NO. SNO-1430	
X.X :±0.20	X.X :±1°	CHKD	lee	SCALE:1:1	UNIT: mm
X.XX :±0.10		APVD	wang	SIZE: A4	SHEET:10F 1
CUSTOMER COPY					

## X-ON Electronics

Largest Supplier of Electrical and Electronic Components

*Click to view similar products for [Memory Card Connectors](#) category:*

*Click to view products by [Hanbo Electronic](#) manufacturer:*

Other Similar products are found below :

[M21-033321-005](#) [6407-249V-25273P](#) [6407-249V-25343P](#) [6426-201-21343](#) [69.920.0553.0](#) [MCR60A-98D-2.54DSA\(70\)](#) [809180410000000](#)  
[DM3AT-SF-PEJM5\(41\)](#) [IC11S-BUR-PNEJL\(71\)](#) [252-0144-000](#) [2041353-2](#) [308-DS1P0811-192](#) [HM2P09PDR360N9LF](#) [10014744-011TLF](#)  
[11327-001](#) [11327-002](#) [617230001](#) [NX1-32T-KT3K\(05\)](#) [N7E50-U516RB-50-SIN0005](#) [68-580163-21S](#) [125A-78C00](#) [CCM03-3109 B LFT](#)  
[2309923-1](#) [61126-050CAHLF](#) [IC1GA-68PD-1.27DS-EJ\(72\)](#) [GTFP08432B1HR](#) [SCE2MSDZN76A121SN](#) [10014744-011ALF](#) [10014744-](#)  
[011LF](#) [10057542-1211FLF](#) [10067972-000LF](#) [10067972-050LF](#) [10122302-20110LF](#) [G85D1162022HHR](#) [MUP-C7809-1](#) [NANO SIM 7P](#)  
[H1.37](#) [MICRO SIM 7P H1.35](#) [TF-CARD H1.8 SY](#) [MICRO SIM 6P H1.35](#) [TF-CARD H1.8](#) [TF-115Y-BCP9](#) [TF-115YY-ACP9](#) [SMN-309-](#)  
[ARP6](#) [TF-115Y-ACP9](#) [TF-108-ARP10](#) [SMN-303S-ACP7](#) [SNO-14100](#) [SD-112S](#) [MUP-C7804-1](#) [KH-TF-07DT](#)