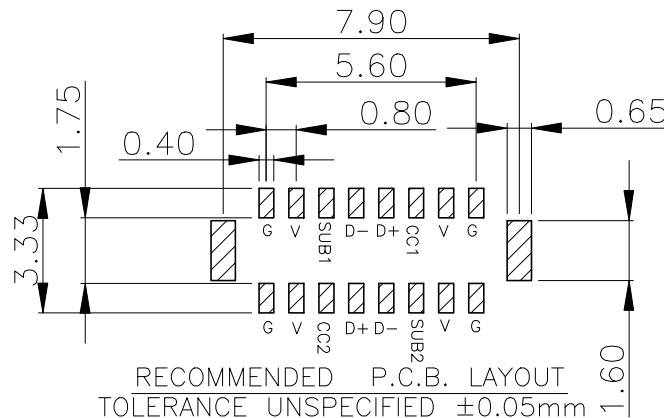
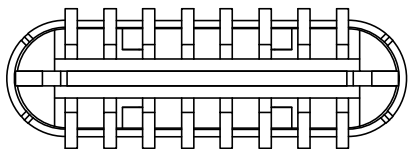
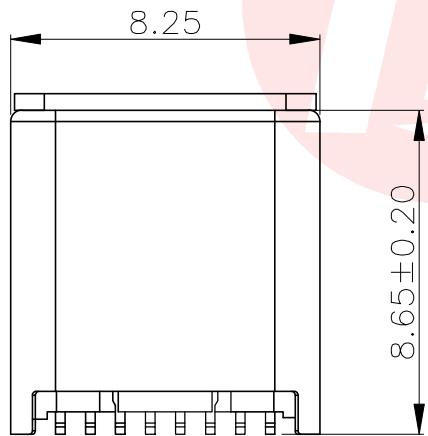
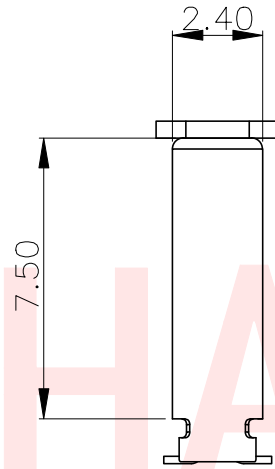
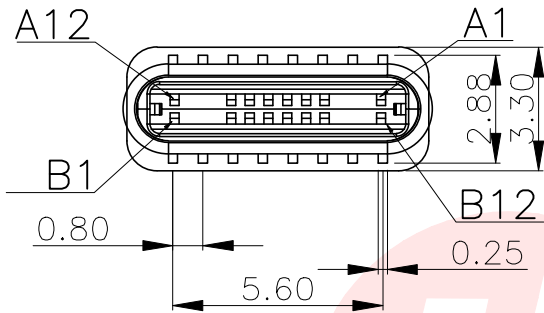




REV.	ECN NO OR DESCRIPTION	REVISED	DATE



1.ELECTRICAL:
CURRENT:3A
CONTACT RESISTANCE:40 MILLIOHMS MAX
DIELECTRIC WITHSTANDING VOLTAGE: 200V AC
INSULATION RESISTANCE:100 MEGOHMS MIN

2.MECHANICAL:
MATING FORCE:5-20N
WITHDRAWAL FORCE:5-20N
DURBILITY:10000 CYCLES

3.ENVIRONMENTAL:
TEMPERTURE RANGE -40℃~105℃
SALT TESTING:48 HOURS

1.Seletive Plating
S1:g/f Gold In Contact Area
100u" Tin In Tail Area
S2:5u" Gold In Contact Area
100u" Tin In Tail Area
S3:10u" Gold In Contact Area
100u" Tin In Tail Area
S4:15u" Gold In Contact Area
100u" Tin In Tail Area
S5:30u" Gold In Contact Area
100u" Tin In Tail Area
S9:3u" Gold In Contact Area
100u" Tin In Tail Area

4	PLASTIC	HIGH TEMP	BLACK/WHITE	UL 94V-0
3	Latch	STAINLESS STEEL	—	NI Plated
2	TERMINAL	COPPER ALLOY	—	Gold Plated
1	SHELL	STAINLESS STEEL	—	Ni Plated
NO.	DESCRIPTION	MATERIAL	COLOR	REMARK

UNLESS OTHERWISE SPECIFIED TOLERANCES



东莞市汉博电子科技有限公司
DONGGUAN HANBO TECHNOLOGY CO., LTD

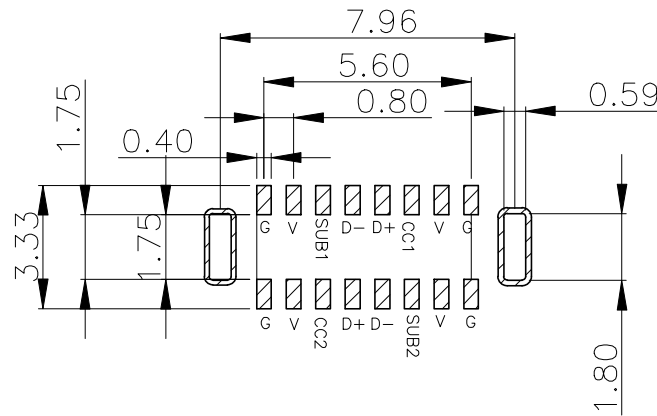
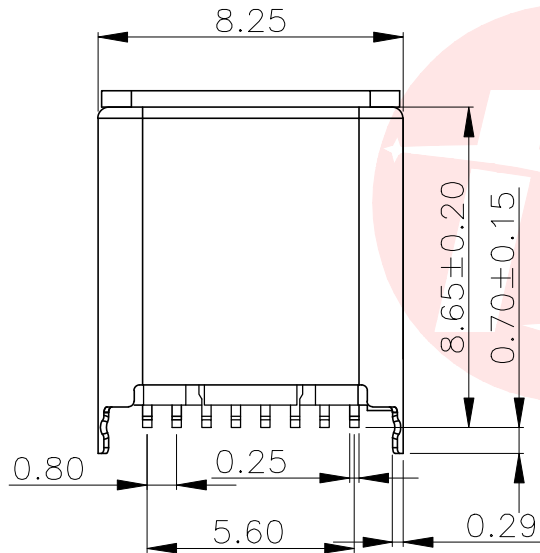
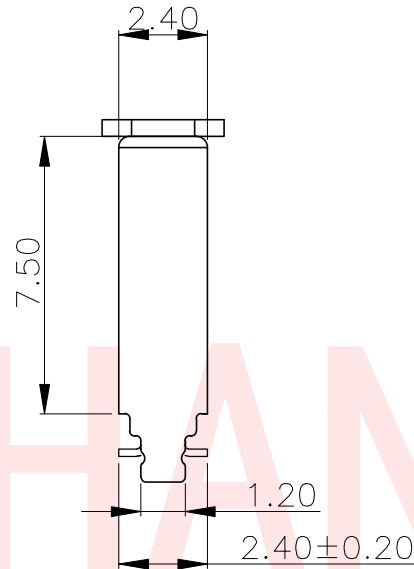
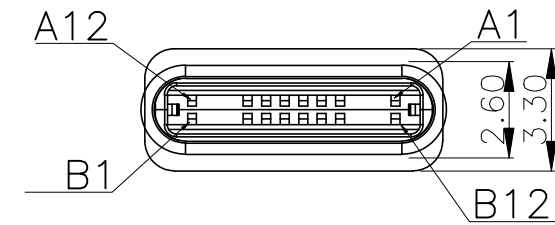
DECIMALS: ANGLES:
X :±0.30 X :±2°
X.X :±0.20 X.X :±1°
X.XX :±0.10

TITLE	USB TYPE C 16PIN SMT 铆合 8.65短款		
DWN	xiong	PART NO. TC-020-H865-D	
CHKD	lee	SCALE:1:1	UNIT: mm
APVD	wang	SIZE: A4	SHEET:10F 1
REV: A4			

CUSTOMER COPY



REV.	ECN NO OR DESCRIPTION	REVISED	DATE



RECOMMENDED P.C.B. LAYOUT
TOLERANCE UNSPECIFIED ±0.05mm

- 1.ELECTRICAL:
CURRENT:3A
CONTACT RESISTANCE:40 MILLIOHMS MAX
DIELECTRIC WITHSTANDING VOLTAGE: 200V AC
INSULATION RESISTANCE:100 MEGOHMS MIN
- 2.MECHANICAL:
MATING FORCE:5-20N
WITHDRAWAL FORCE:5-20N
DURBILITY:10000 CYCLES
- 3.ENVIRONMENTAL:
TEMPERTURE RANGE -40~105℃
SALT TESTING:48 HOURS
- 1.Seletive Plating
S1:g/f Gold In Contact Area
100u" Tin In Tail Area
S2:5u" Gold In Contact Area
100u" Tin In Tail Area
S3:10u" Gold In Contact Area
100u" Tin In Tail Area
S4:15u" Gold In Contact Area
100u" Tin In Tail Area
S5:30u" Gold In Contact Area
100u" Tin In Tail Area
S9:3u" Gold In Contact Area
100u" Tin In Tail Area

4	PLASTIC	HIGH TEMP	BLACK/WHITE	UL 94V-0
3	Latch	STAINLESS STEEL	—	NI Plated
2	TERMINAL	COPPER ALLOY	—	Gold Plated
1	SHELL	STAINLESS STEEL	—	Ni Plated
NO.	DESCRIPTION	MATERIAL	COLOR	REMARK

UNLESS OTHERWISE
SPECIFIED TOLERANCES



东莞市汉博电子科技有限公司
DONGGUAN HANBO TECHNOLOGY CO., LTD

DECIMALS: ANGLES:
X :±0.30 X :±2°
X.X :±0.20 X.X :±1°
X.XX :±0.10

TITLE	USB TYPE C 16PIN SMT 铆合 8.65长款			
DWN	xiong	PART NO. TC-020-H865-C		
CHKD	lee	SCALE:1:1	UNIT: mm	
APVD	wang	SIZE: A4	SHEET:10F 1	REV: A4

CUSTOMER COPY

X-ON Electronics

Largest Supplier of Electrical and Electronic Components

Click to view similar products for [USB Connectors](#) category:

Click to view products by [Hanbo Electronic](#) manufacturer:

Other Similar products are found below :

[950](#) [MUSBD11135](#) [17-200721](#) [217450-1](#) [KMBVX-TH-5S-B30](#) [KUSBX-AS2N-W](#) [KUSBX-SMT2AP1S-W30](#) [935](#) [957](#) [30-498-6](#) [SK-60A-2](#)
[1734082-1](#) [30-470](#) [30-489](#) [30-541](#) [A-USB A-2P-C](#) [MIKROE-1451](#) [USBFTVSCCG](#) [1-1734084-2](#) [10135326-001LF](#) [4198](#) [USB-A-D-VT](#)
[USB-A-S-RA-TSMT](#) [1310-1023-02](#) [690-024-633-031](#) [UB-20PMFP-LC7001](#) [17-200011](#) [UB-20AFMM-LL7A01](#) [1040870124](#) [CAP-](#)
[WCCMLPB1](#) [CAP-WCCMLPC1](#) [2274475-3](#) [UB-20BMFA-SL8001](#) [914-614A2025S10200](#) [USB3FTV7SAGF059](#) [ZX40-B-5S-1500-](#)
[STDA\(30\)](#) [GSB3116344HR](#) [USB3FTV2SAZNF459](#) [USB3FTV7SAZNF459](#) [U221-041N-1WVS62-F5D](#) [HYCW153-USBD05-500B](#)
[HYCW219-USBD05-075B](#) [HYCW148-USBD05-117B](#) [HYCW149-USBD05-740B](#) [HYCW204-USBD05-108B](#) [HYCW214-USBA04-113B](#)
[HYCW213-USBA04-113B](#) [UB-20AMFM-SL7A01](#) [KMMX-BSMT35S-1-B30TR](#) [2345986-1](#)