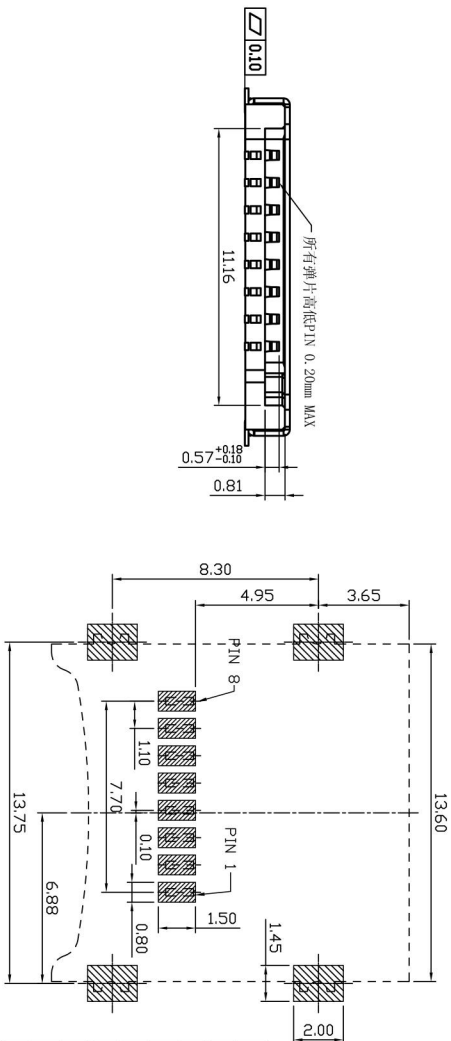


SLIDE SHELL LOCK

SLIDE SHELL OPEN

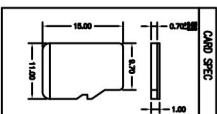


PIN NO.	PIN Assigning
PIN1	DATA2
PIN2	CD/DAT3
PIN3	CMD
PIN4	VDD
PIN5	CLK
PIN6	VSS
PIN7	DATO
PIN8	DATI

RECOMMENDED P8 LAYOUT  
TOLERANCES:±0.05

序号	名称	材质	数量
1	外壳	SUS304	1PCS
2	胶芯主体	LCP	1PCS
3	端子	C5210	1SET=8PCS
4	固定片	C5191	2PCS
5	锁卡片	C5191	2PCS

REVISION NO.	REV. NO.	DESCRIPTION	DATE
1		ADD SPECIFICATIONS AND UPDATE DRAWING BY FOLLOWING PRODUCT	20160410



台湾汉博电子科技有限公司  
Taiwan Han Bo Electronic Technology Co.,Ltd.

PRODUCT NAME: 扣盖式 1.5SH  
PRODUCT NO.: TF-014-H18

DRAWING NO.:  
DRAWING NO.:  
DRAWING NO.:

BOBO  
Aaron

DATE: 2014.9  
DATE:  
DATE:

SCALE: 1:1  
SCALE:  
SCALE:

NOTE:  
1. MATERIAL: High thermoplastic, UL 94V-0  
COLOR: BLACK.

1.2 SHELL: STAINLESS STEEL  
1.3 TERMINAL: COPPER ALLOY  
1.4 PEG: COPPER ALLOY  
1.5 HINGE: COPPER ALLOY

2. FINISH:  
2.1 TERMINAL: CONTACTG AREA: SELECTIVE GOLD OVER NICKEL  
CONTACTG AREA: 50μ"MIN. SN OVER NICKEL  
2.2 PEG AND HINGE: TIN OVER NICKEL  
3. RATING:  
OPERATING VOLTAGE: 30V  
CURRENT RATING: 1.0A  
CONTACT RESISTANCE: 50mΩ max.  
INSULATION RESISTANCE: 100MΩ MIN. 100V DC  
DURABILITY: 5000 CYCLES  
OPERATING TEMPERATURE: -20°C~+85°C

OPERATING VOLTAGE: 30V  
CURRENT RATING: 1.0A  
CONTACT RESISTANCE: 50mΩ max.  
INSULATION RESISTANCE: 100MΩ MIN. 100V DC  
DURABILITY: 5000 CYCLES  
OPERATING TEMPERATURE: -20°C~+85°C

## X-ON Electronics

Largest Supplier of Electrical and Electronic Components

*Click to view similar products for [Standard Card Edge Connectors](#) category:*

*Click to view products by [Hanbo Electronic](#) manufacturer:*

Other Similar products are found below :

[6565204-6](#) [PKC-156](#) [1437274-4](#) [147889-1](#) [1489165-4](#) [EBT156-12B1X](#) [EBT15622B2X](#) [EBT156-22R2W](#) [1-582587-1](#) [1-582589-1](#) [2-6437275-9](#) [284-0102-12100](#) [306022901000000](#) [307-012-502-202](#) [307-024-526-201](#) [307-056-520-300](#) [307-080-526-208](#) [1926088-2](#) [245-062-520-350](#) [287-0032-12101](#) [306-010-500-112](#) [306-028-525-102](#) [306-240-318](#) [307-036-502-202](#) [307-036-521-301](#) [307-072-526-202](#) [345-060-559-303](#) [368-004-520-201](#) [392-008-559-201](#) [534671-1](#) [5-530501-5](#) [341-240-317](#) [345-029-520-300](#) [345-030-500-301](#) [345-044-500-300](#) [345-220-058](#) [346-240-318](#) [357-030-526-201](#) [387-012-523-300](#) [395-044-520-300](#) [395-100-524-300](#) [50-12B-10](#) [50-6SN-5](#) [09-07-2032](#) [10035388-106LF](#) [10035388-802LF](#) [10115859-011LF](#) [10122859-009LF](#) [101269333204245CLF](#) [10127905-B04B24BLF](#)